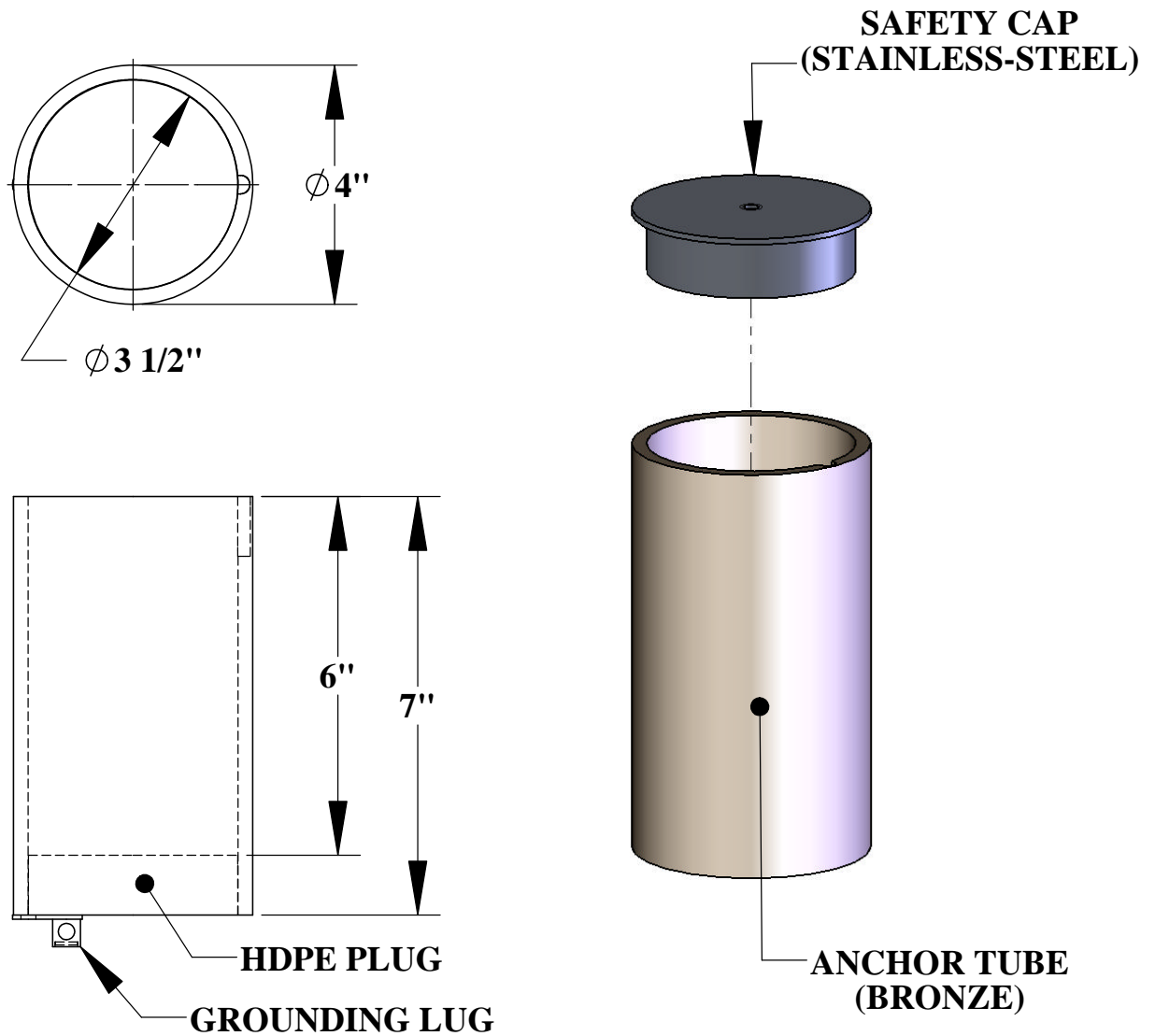


TITAN™ ANCHOR



SPECIFICATIONS:

THE AQUA CREEK PRODUCTS' TITAN ANCHOR SHALL BE MADE FROM BRONZE, WITH A POLYETHYLENE (HDPE) PLUG. IT SHALL HAVE A GROUNDING LUG FOR GROUNDING/BONDING THE ANCHOR/LIFT. IT SHALL ALSO INCLUDE A STAINLESS STEEL SAFETY CAP; TO BE USED WHEN THE ANCHOR IS EMPTY.



9889 GARRYMORE LANE
MISSOULA, MT 59808
(406) 549-0769
FAX (406) 549-2602

NOTE:
*SPECIFICATIONS ARE SUBJECT TO CHANGE WITHOUT NOTICE

PRODUCT:	F-612TLA600	
DWG #:	F-612TLA600-1	
SCALE:	1:3	DATE: 9/22/10
DRAWN BY:	DS	REVISION: A