

AL003 Tilt N Tote



Read manual thoroughly before attempting to install or operate lift.

This manual has been provided to assist you with lift installation and operation. For further assistance please contact your authorized Harmar Mobility dealer or Harmar's Technical Services department.

Tel: 800.833.0478

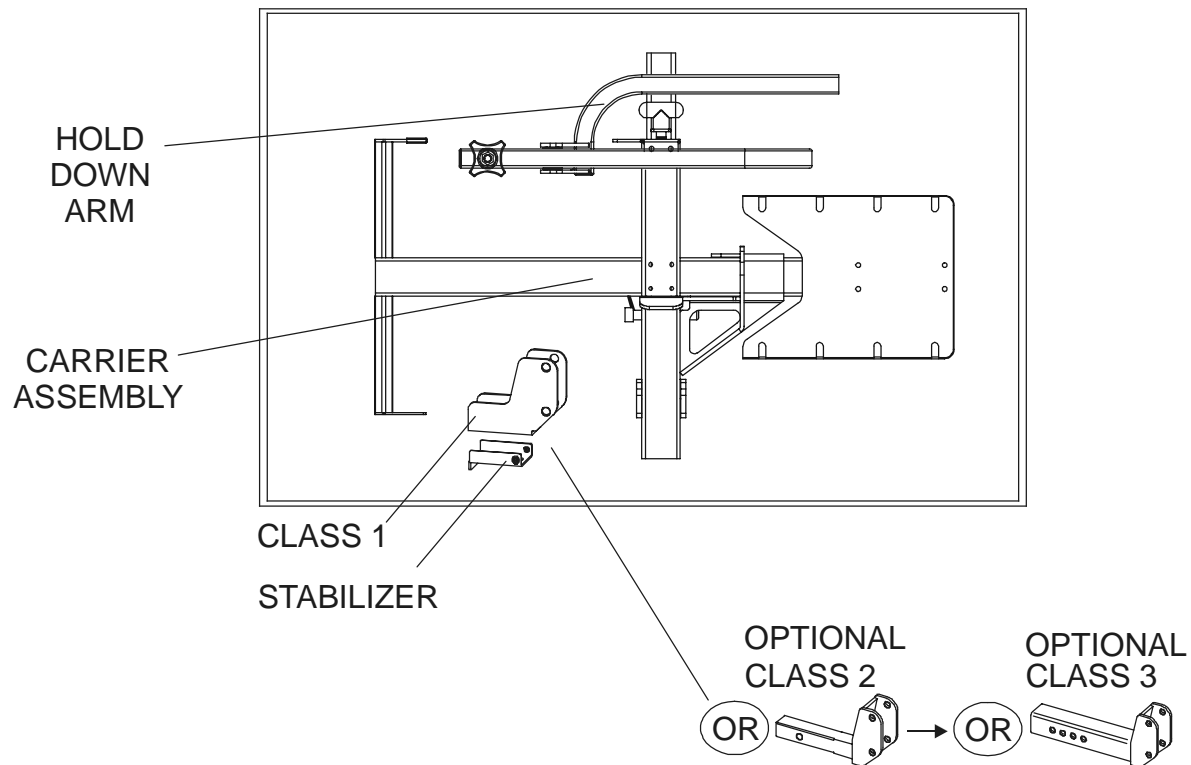
Fax: 866.234.0478

Email: tech@harmar.com

Dealer:

Serial Number:

Unpacking the Lift

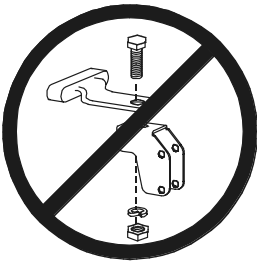
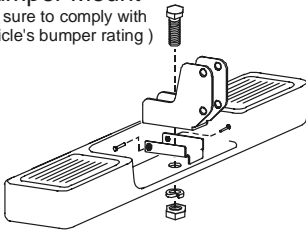


Each Tilt and Tote is packaged with a Class 1 Hitch Adapter and Stabilizer. If a Class 2 or Class 3 hitch adapter is required, separate parts must be ordered.

Be sure and check the contents of the box against the package check list to be sure that all parts are included with the carrier that are required for proper installation. If any parts are missing or if any damage is noted, immediately contact the distributor from which you purchased your lift. DO NOT attempt to install or use the lift with any missing or damaged parts.

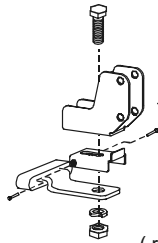
Hitch Adapter Installation

Bumper Mount
(Be sure to comply with vehicle's bumper rating)

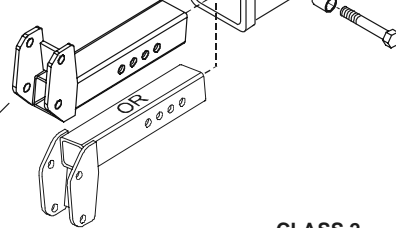


Do not attempt to mount up from under

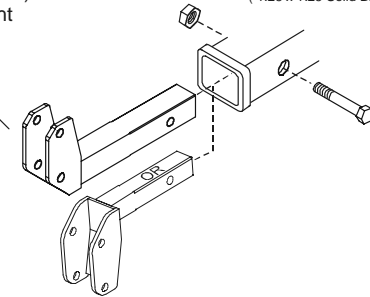
CLASS 1
(Flat Bar Style)



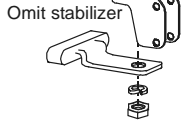
CLASS 3
(2 x 2 TUBE)



CLASS 2
(1.25 x 1.25 Solid Bar)



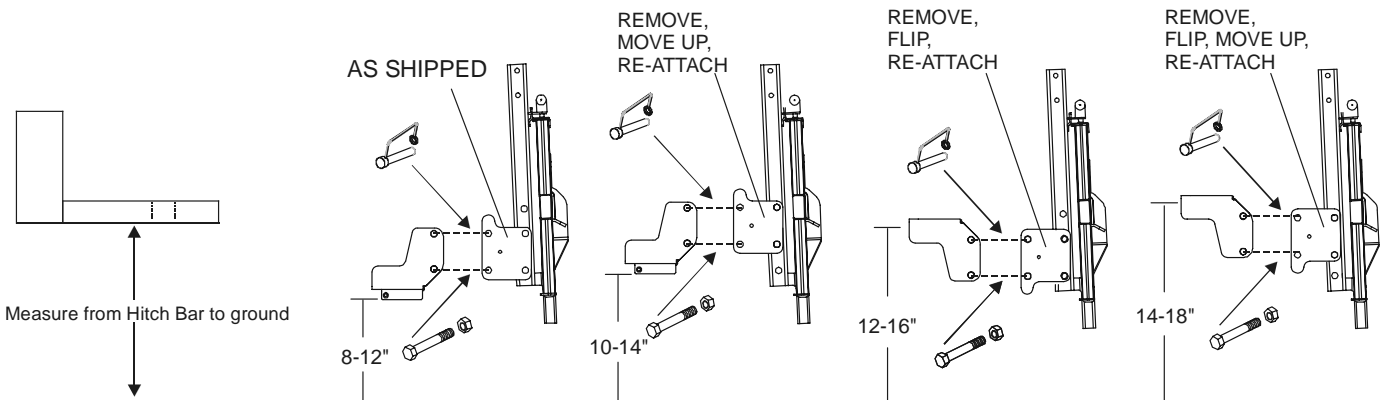
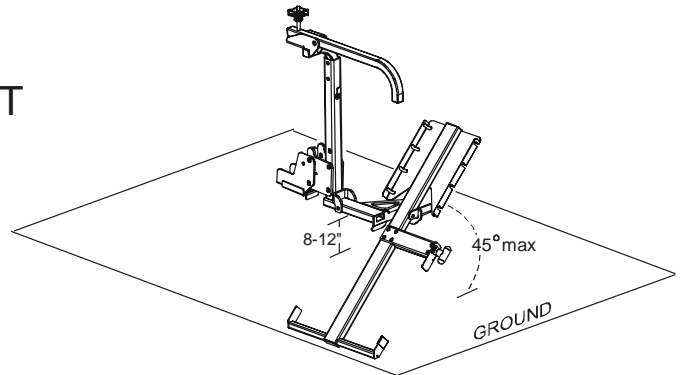
Refer to diagram below for proper orientation (right side up or upside down)
Determines carrier's height from the ground



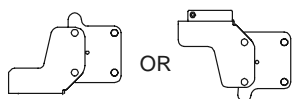
Omit stabilizer

DETERMINE BEST MOUNTING HEIGHT

Harmar recommends maintaining 8-12" of ground clearance from the bottom of the unfolded platform, while not exceeding 45 degrees of tilt (12" off the ground)
To achieve this, a number of mounting options are available.



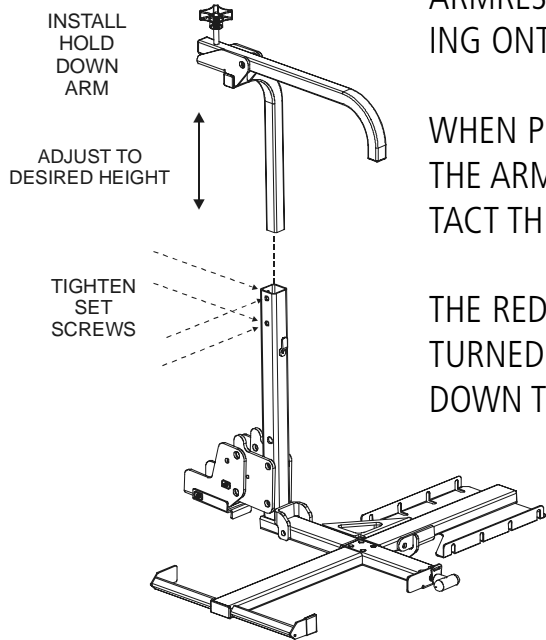
ORIENTATION OF CLASS 2 and CLASS 3 HITCH ADAPTERS IS IDENTICAL



NOTE:
IF FLIPPING HITCH ADAPTER FOR BETTER HEIGHT, BOTH PARTS MUST BE FLIPPED TOGETHER.

ORIENTATION OF THESE PARTS IS IMPORTANT FOR THE TILT AWAY FEATURE LIMITS.

Hold-Down Arm Installation



INSTALL
HOLD
DOWN
ARM

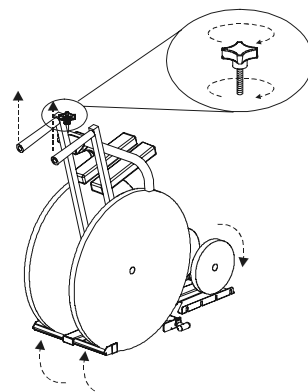
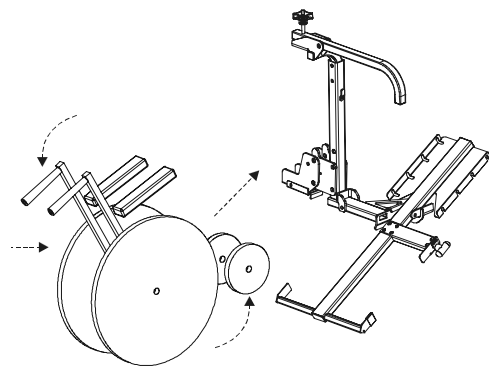
ADJUST TO
DESIRED HEIGHT

TIGHTEN
SET
SCREWS

HOLD DOWN ARM HEIGHT CAN BE ADJUSTED SO THAT WHEELCHAIR'S ARMRESTS CLEAR ARM WHEN LOADING ONTO A TILTED PLATFORM.

WHEN PLATFORM IS TILTED UPRIGHT, THE ARMRESTS SHOULD BARELY CONTACT THE BOTTOM OF THE ARM.

THE RED KNOB CAN THEN BE TURNED TO HOLD THE WHEELCHAIR DOWN TIGHT.

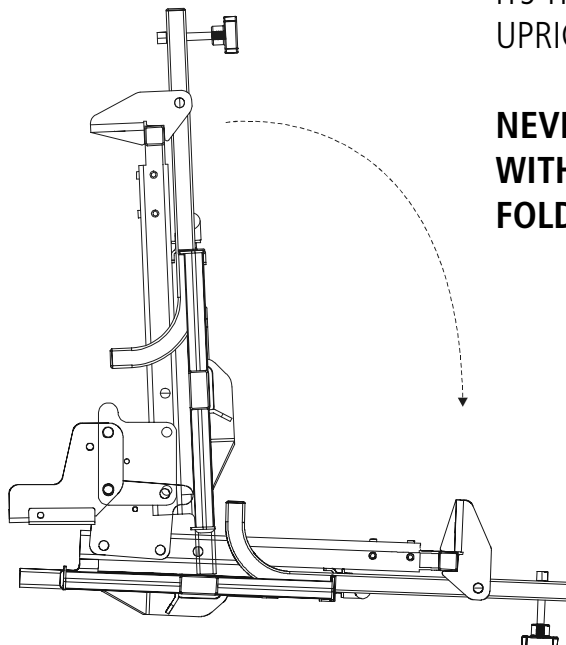
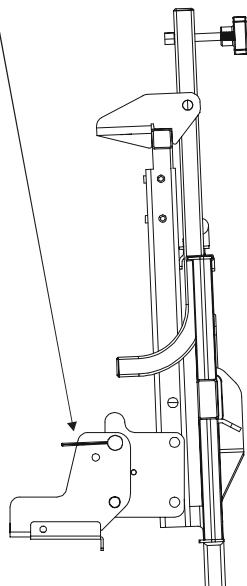


Tilt Away Feature



REMOVE HITCH PIN
WHILE BRACING
TILT AND TOTE
UPRIGHT

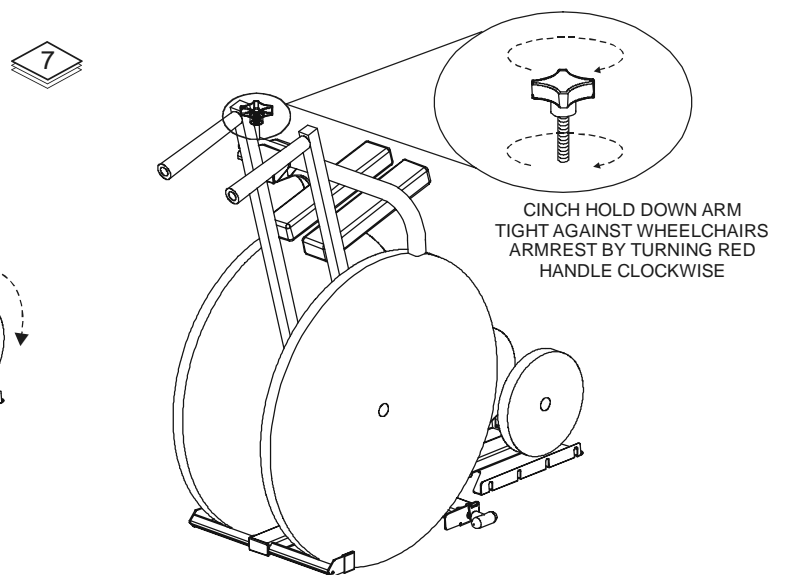
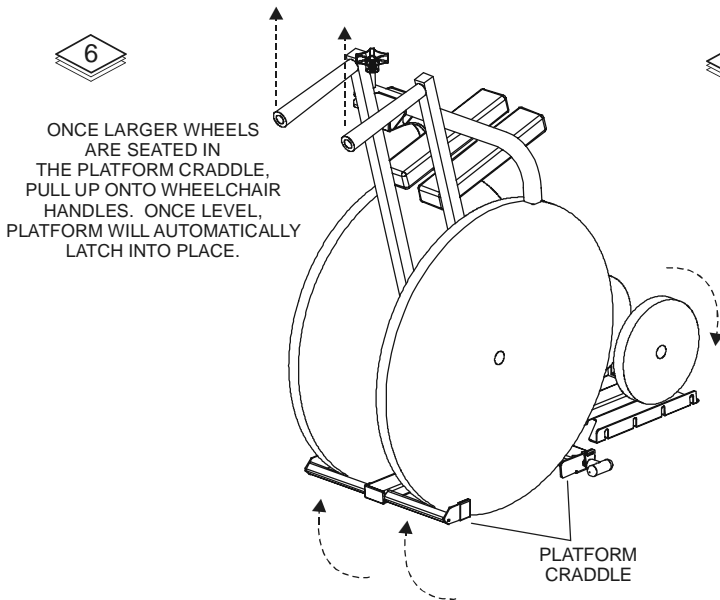
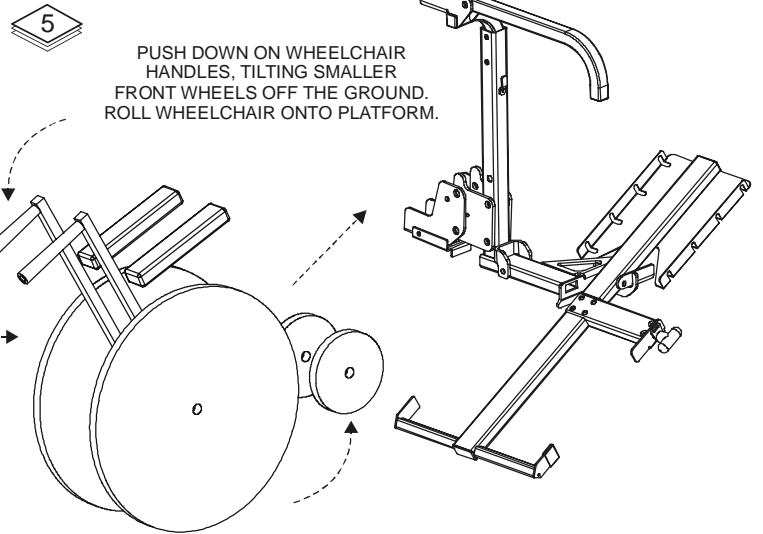
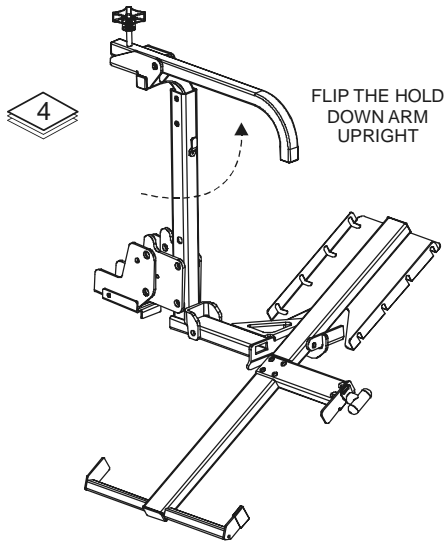
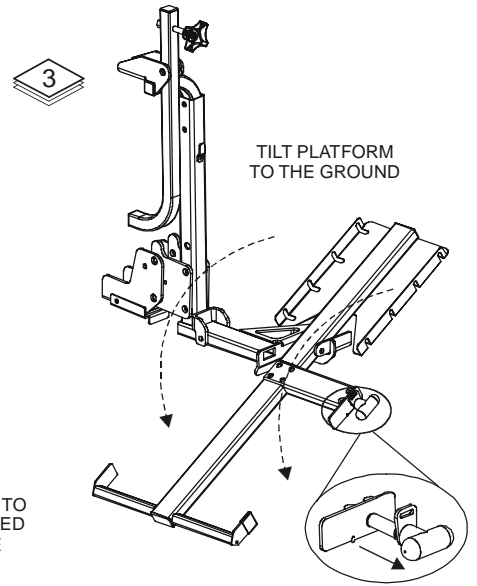
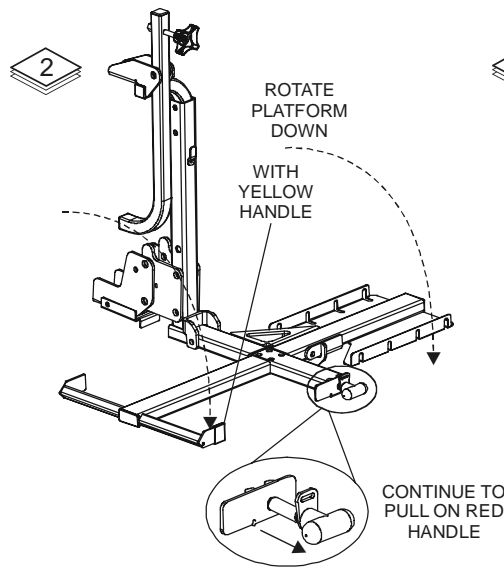
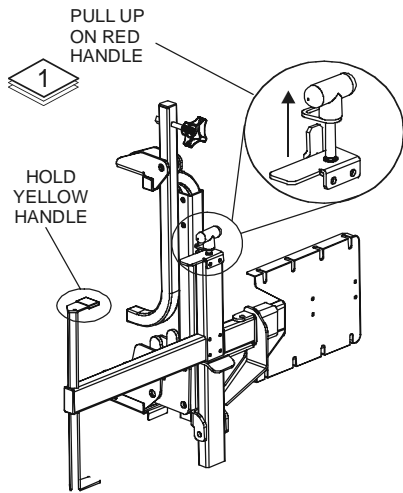
ONCE PIN IS REMOVED, THE
TILT AND TOTE CAN BE LOWERED
JUST BELOW PARALELL WITH THE
GROUND BEFORE RESTING ON
ITS MECHANICAL STOPS.



TO ERECT THE TILT AND TOTE BACK TO ITS TRAVEL POSITION, SIMPLY ROTATE UPRIGHT, AND REPLACE THE HITCH PIN.

NEVER ATTEMPT TO TRANSPORT WITH THE TILT AND TOTE IN THE FOLDED DOWN POSITION.

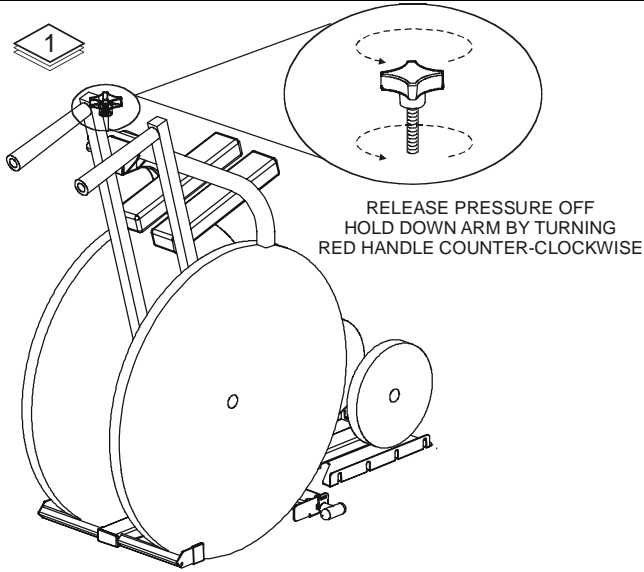
Loading Wheelchair



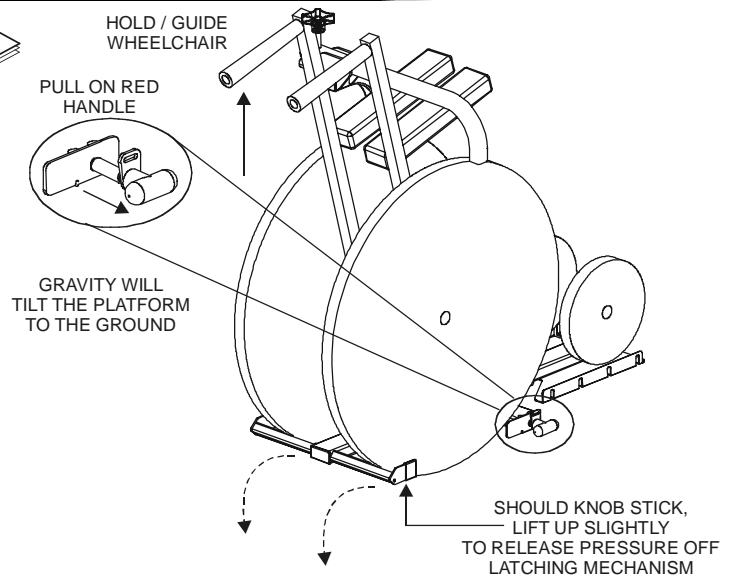
YOUR WHEELCHAIR IS NOW READY FOR TRANSPORT

Unloading Wheelchair

1

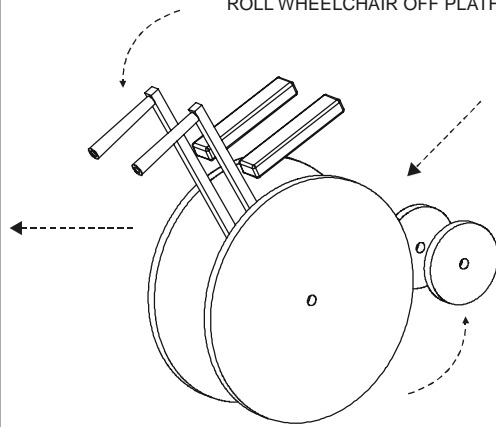


2



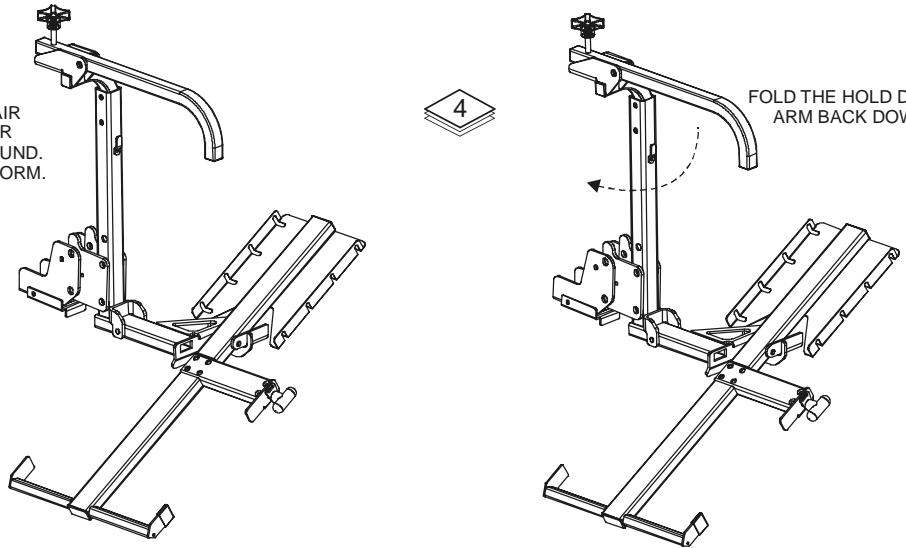
3

PUSH DOWN ON WHEELCHAIR HANDLES, TILTING SMALLER FRONT WHEELS OFF THE GROUND. ROLL WHEELCHAIR OFF PLATFORM.



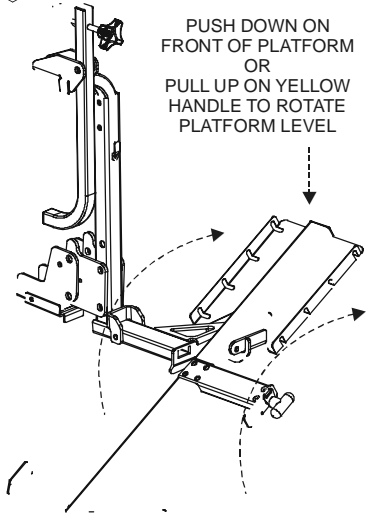
4

FOLD THE HOLD DOWN ARM BACK DOWN



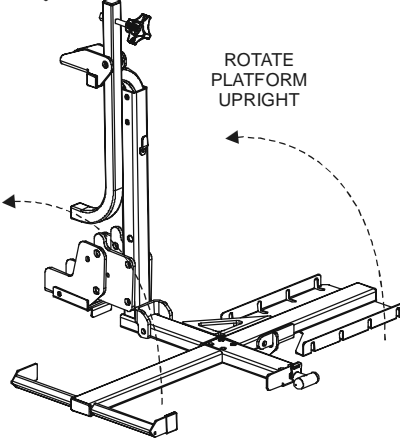
5

PUSH DOWN ON FRONT OF PLATFORM OR PULL UP ON YELLOW HANDLE TO ROTATE PLATFORM LEVEL



6

ROTATE PLATFORM UPRIGHT

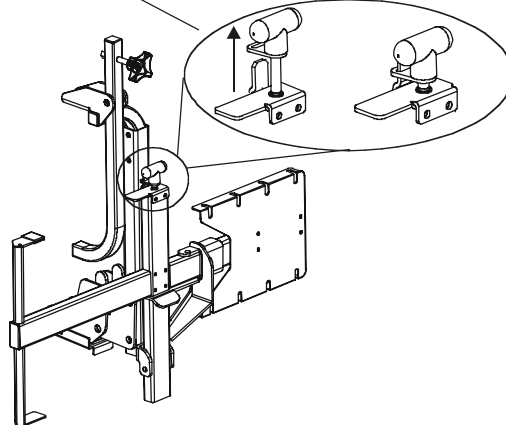


PLATFORM WILL AUTOMATICALLY LATCH IN PLACE

7

PULL UP ON RED HANDLE

AND PLACE KEEPER SLOT ONTO LOCKING TAB



Safety, Maintenance & Troubleshooting

SAFETY

Caution: Keep hands away from PINCH POINTS.

Inspect the condition of your Tilt and Tote often. If any parts are worn or damaged DO NOT USE THE TILT and TOTE. Immediately contact your Harmar Mobility Authorized Dealer.

Caution: Keep hands, feet and any other objects away from the platform as it lowers.

Caution: Some chairs have pneumatic (air inflated) tires. If your chair has this type tire, be sure the tires are properly inflated. Improper inflation of the tires will affect how the unit fits on the platform and therefore change the amount of clamping force on the chair.

Caution: Before driving off with your chair or scooter on the Tilt and Tote, make sure that the chair is firmly held down on the platform.

Caution: When driving with your chair on the Tilt and Tote, slow down for potholes, speed bumps, railroad tracks, etc. Your Tilt and Tote could be damaged by abuse if subjected to excessive loads imposed by rough driving.

Caution: Do not enter steep driveways straight on. Enter and leave at an angle to the street so that your Tilt and Tote platform does not drag on the ground.

Caution: Do not attempt to move the vehicle with the Tilt and Tote platform in the down position. If moved this way, the lifting mechanism will be damaged.

MAINTENANCE

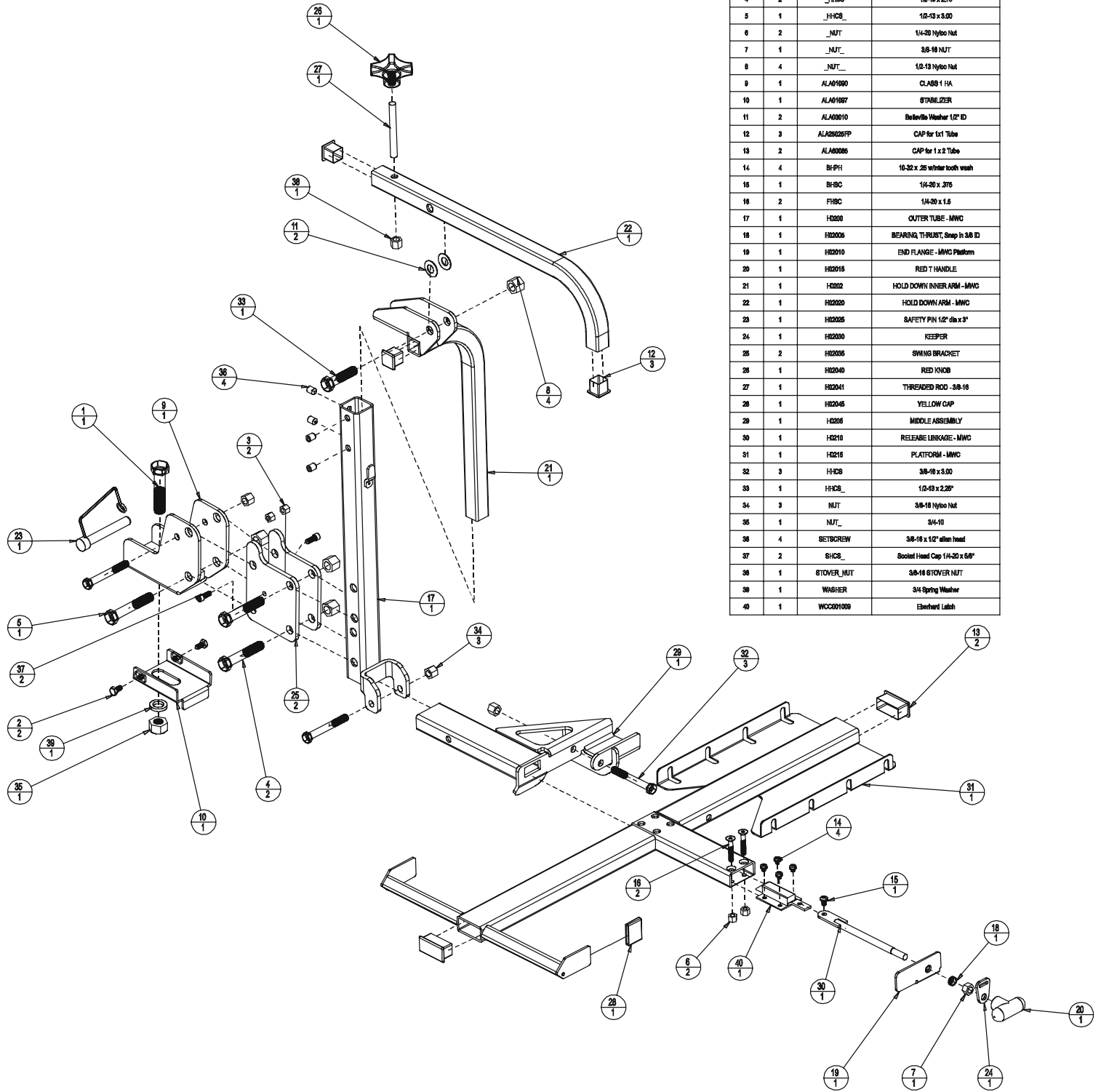
Every 30 days oil the pivot points on all moving parts.

Check for paint chips and touch up any bare metal with a good gloss black enamel or lacquer to inhibit rust. This may be necessary more frequently when subjected to salt air or road salt.

Troubleshooting Guide

Problem	Possible Cause	Suggestions
Hold-down will not stay upright or is difficult to move. Lift platform is difficult to move.	Improper adjustment at pivot points	Tighten or loosen bolts until hold-down arm or platform operates smoothly, with some resistance.
The Red T-Handle is hard to pull.	Lack of lubrication	A lubricating spray (WD-40) will loosen the linkage to the platform latch. Lift up slightly on the platform to release pressure on the release latch.
The lift does not reach the ground when completely lowered. Lift bottoms out while entering driveways or going over bumps.	Hitch adapter positioning or incorrect hitch adapter.	Check the connection of the hitch adapter to the hitch post. Normal range of operation is 5-19 inches, measured from the bottom of the hitch to the ground. Higher vehicles require special hitch adapters, which can be obtained from a Harmar Mobility Authorized Dealer. Lift should be installed at the highest adjustment point possible.

AL003 Tilt N Tote



ASSEMBLY PARTS			
ITEM	QTY	PART NO.	DESCRIPTION
1	1	_HCB_	3/4-10 x 5.8" HCB
2	2	_HCB_	1/4-20 x 8/4"
3	2	_NUT_	1/4-20 Nyloc
4	2	_HCB_	1/2-19 x 2.75
5	1	_HCB_	1/2-19 x 3.00
6	2	_NUT_	1/4-20 Nyloc Nut
7	1	_NUT_	3/8-18 NUT
8	4	_NUT_	1/2-19 Nyloc Nut
9	1	ALA01000	CLASS 1 HA
10	1	ALA01007	STABILIZER
11	2	ALA00010	Belleville Washer 1/2" ID
12	3	ALA2020FP	CAP for 1x1 Tube
13	2	ALA00006	CAP for 1 x 2 Tube
14	4	BFPH	10-32 x .25 washer tooth wash
15	1	BFBC	1/4-20 x .275
16	2	FBBC	1/4-20 x 1.5
17	1	H2000	OUTER TUBE - MWC
18	1	H2006	BEARING THRUST - Strap In 3/8 ID
19	1	H2010	END FLANGE - MWC Platform
20	1	H2015	RED T HANDLE
21	1	H202	HOLD DOWN INNER ARM - MWC
22	1	H2020	HOLD DOWN ARM - MWC
23	1	H2025	SAFETY PIN 1/2" dia x 3"
24	1	H2000	KEEPER
25	2	H2005	SWING BRACKET
26	1	H2040	RED KNOB
27	1	H2041	THREADED ROD - 3/8-16
28	1	H2045	YELLOW CAP
29	1	H2005	MIDDLE ASSEMBLY
30	1	H2010	RELEASE LINKAGE - MWC
31	1	H2015	PLATFORM - MWC
32	3	HCB	3/8-18 x 3.00
33	1	HCB_	1/2-19 x 2.25"
34	3	NUT	3/8-18 Nyloc Nut
35	1	NUT_	3/4-10
36	4	SETSCREW	3/8-18 x 1/2" allen head
37	2	SHCB_	Staked Head Cap 1/4-20 x 6/8"
38	1	STOVER_NUT	3/8-18 STOVER NUT
39	1	WASHER	3/4 Spring Washer
40	1	WCC001000	Eberhard Latch