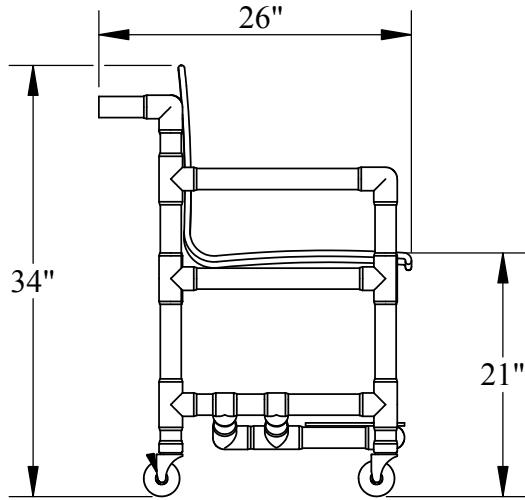
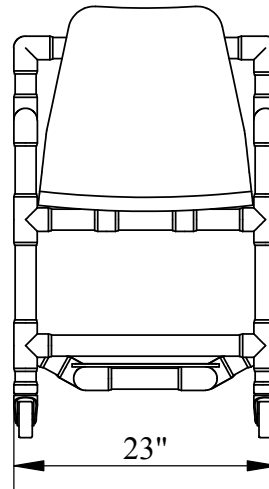


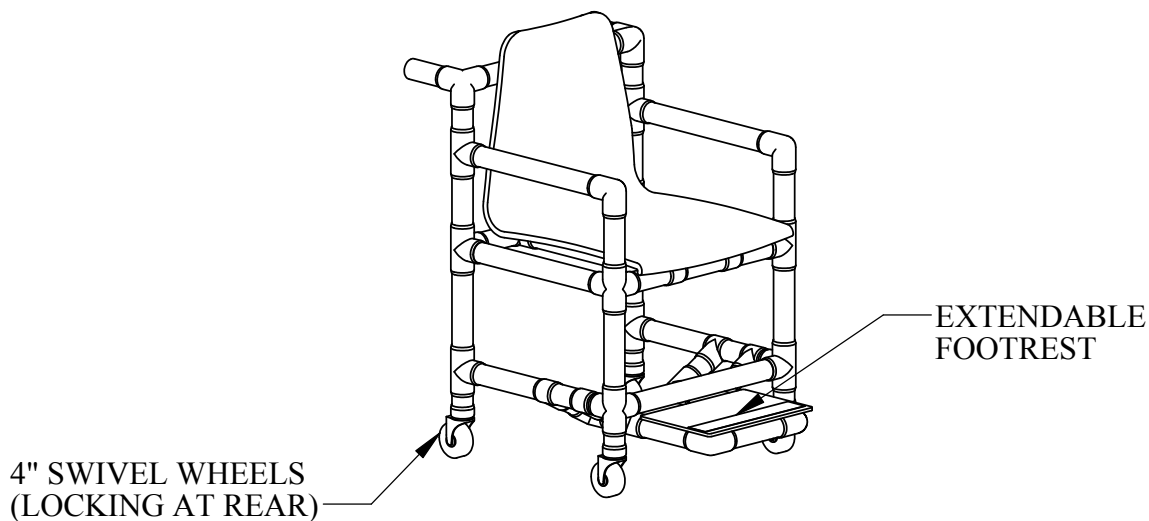
TRANSPORT CHAIR PVC



SIDE VIEW



FRONT VIEW



ISO VIEW

SPECIFICATIONS

THE TRANSPORT CHAIR PVC SHALL BE CONSTRUCTED OF ϕ 1 1/4" SCHEDULE 10 FURNITURE GRADE PVC PIPE AND FITTINGS. THE CHAIR SHALL COME EQUIPPED WITH AN EXTENDABLE FOOTREST. THE STANDARD SEAT SHALL BE 18" WIDE AND CONSTRUCTED OF PLASTIC. THE WHEELS SHALL BE 4" RUBBER WHEELS WITH STAINLESS STEEL SWIVELS. THE REAR TWO WHEELS SHALL BE LOCKING.



3015 W. RAILROAD ST. #8
 MISSOULA, MT 59808
 (406) 549-0769
 FAX (406) 549-2602

NOTE:
 *SPECIFICATIONS ARE SUBJECT TO CHANGE WITHOUT NOTICE
 *ALL DIMENSIONS ARE IN INCHES

PRODUCT:	F-11TCW4	
DWG #:	F-11TCW4	
SCALE:	1:18	DATE: 01/18/07
DRAWN BY:	DSE	REVISION: B