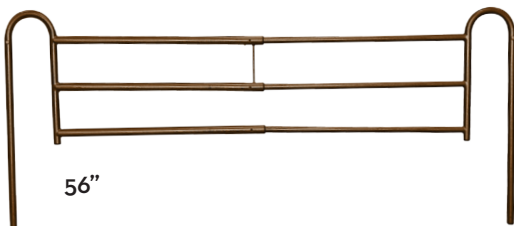
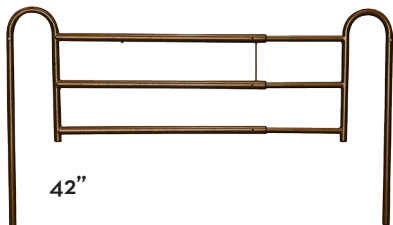
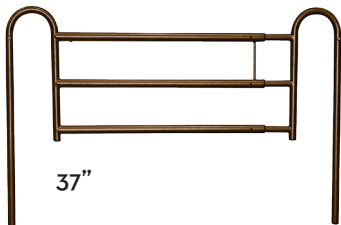


Rail can be adjusted from 37" to 56".

Item # 16500BV



## lifetime limited warranty

Your Drive branded product is warranted to be free of defects in materials and workmanship for the lifetime of the product for the original consumer purchaser.

This device was built to exacting standards and carefully inspected prior to shipment. This Lifetime Limited Warranty is an expression of our confidence in the materials and workmanship of our products and our assurance to the consumer of years of dependable service.

This warranty does not cover device failure due to owner misuse or negligence, or normal wear and tear. The warranty does not extend to non-durable components, such as rubber accessories, casters, and grips, which are subject to normal wear and need periodic replacement.

If you have a question about your Drive device or this warranty, please contact an authorized Drive dealer.

© 2015 Medical Depot, Inc. All rights reserved.  
Drive is a trademark of Medical Depot, Inc.  
Port Washington N.Y. 11050 USA Made in China

adjustable  
home style  
bed rail

item #16500BV



EU Authorized Representative  
Drive International, LLC  
Globe Lane - Stockport  
DUKINFIELD SK16 4RE, GB

[www.drivemedical.com](http://www.drivemedical.com)

drive™

## installation instructions

1. Remove contents from carton.
2. Remove mattress from bed.
3. Adjust bed rail to desired length (figure 1) by depressing brass push pin and extending rail to either 37", 42" or 56" length.
4. Extend one bed rail to reach the head and the other crossbar. Place one crossbar at head section and the other at either 37", 42" or 56" apart.
5. Pull and hold the spring loaded knob (figure 2 ) on the head-end barrel and insert the outer bed rail into the barrel of the head-end crossbar.
6. Release the spring loaded knob on the head-end barrel.
7. Raise or lower the bed rail until the spring loaded knob "clicks" (figure 4) securely into the lower or upper adjustment hole; or until the rail stop securely rests against the barrel.
8. Pull and hold the spring loaded knob on the foot-end barrel and insert the outer bed rail into the barrel of the foot-end crossbar.
9. Release the spring loaded knob on the foot-end barrel.
10. Raise or lower the bed rail until the spring loaded knob "clicks" securely into the lower or upper adjustment hole; or until the rail stop securely rests against the barrel.
11. Replace mattress on the bed.

figure 1

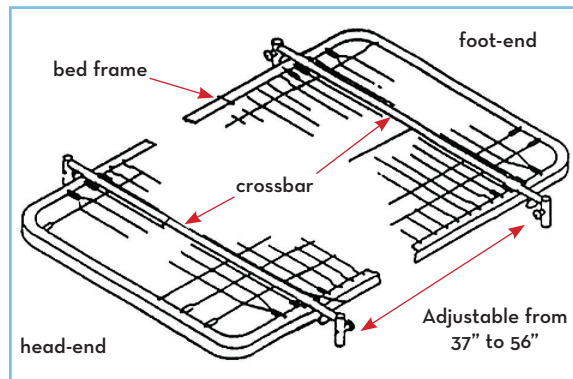


figure 2

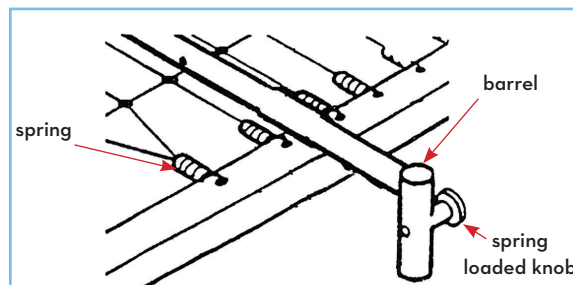


figure 3

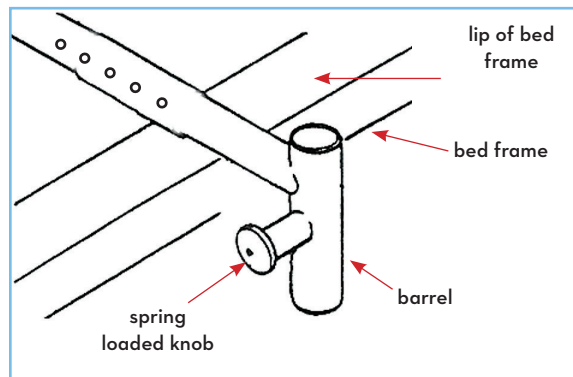


figure 4

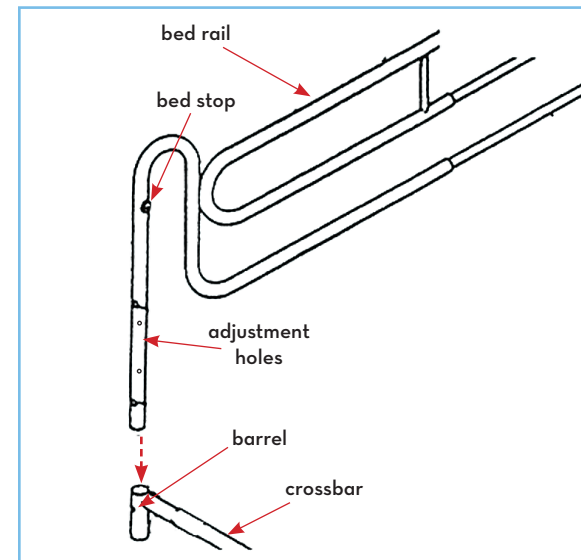


figure 5

