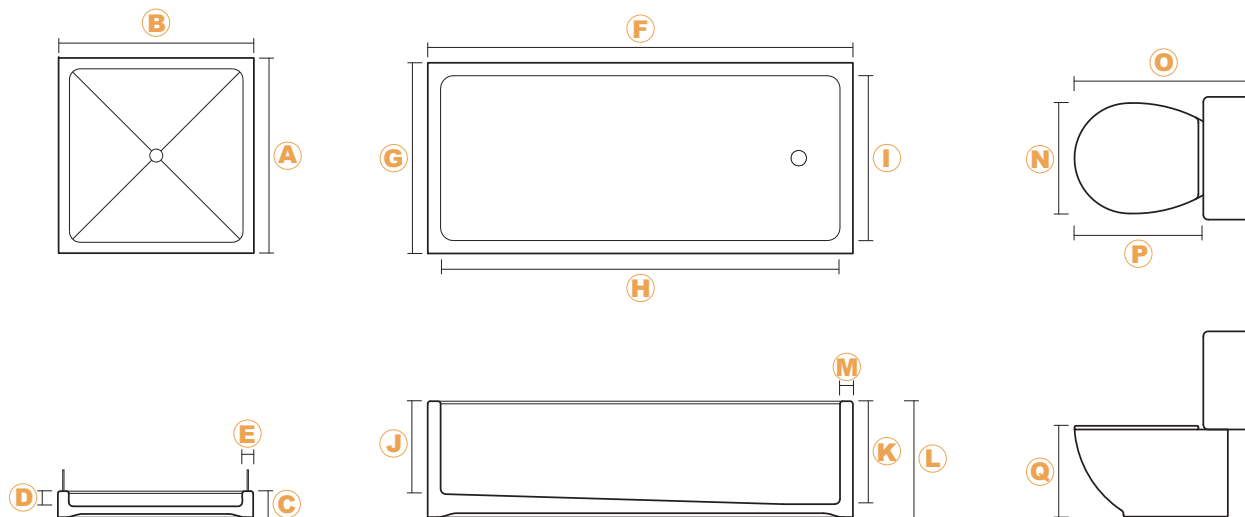


Note: Each square in the grid represents 1 square foot



Bathroom Measurements:

Using the grid provided please draw the layout of your bathroom. In the diagram please indicate the location of all items such as toilet, sink, shower, shelves etc. Also indicate the location of any doors which are used to enter the bathroom.

It is important that you accurately provide the distances between all items in your bathroom. For example the distance between the sink and the bath or the distance between the shower and the toilet.

Required Measurements:

- Bathroom door width (opening width)
- Clearance in front of shower
- Shower door width (opening width)
- Clearance in front of bath
- Clearance in front of toilet

Shower Measurements:

- A** Length
- B** Depth
- C** Lip height (outside)
- D** Lip height (inside)
- E** Lip width

Bath Measurements:

- F** Length
- G** Depth
- H** Length (inside)
- I** Depth (inside)
- J** Lip height (inside top)
- K** Lip height (inside bottom)
- L** Lip height (outside)
- M** Lip width

Toilet Measurements:

- N** Width
- O** Depth (back wall)
- P** Depth(toilet tank)
- Q** Height