

TiLite Aero X Order Form

PROVIDER INFORMATION		RTS INFORMATION			
PROVIDER:	Account #:	RTS:	Phone:		
PO:	Ordered By:	Email:			
Email:		SHIP TO INFORMATION			
Mark For:	User Weight:	Name:	Ship Via:		
TiLite Sales Rep:		Address:			
TiLite Information:	Promo Code:	City:	State:	Zip:	
Ship Date:	Order #:	Phone:	Fax:		

More options and frame modifications may be available through our Creative Mobility Division! Please contact customer service for details or [click here](#) to view options.

Please Email or Fax to the Permobil Manual Customer Experience Team at tilitesales@permobil.com or 509.586.2413

FRAME STYLE

- AXFS1 **Aero X Aluminum Frame** (Full Adjustability. 265 Pound Weight Limit.....)\$2586 K0005
- G2FS1 **2GX Titanium Frame Upgrade** (Full Adjustability. 265 Pound Weight Limit. Light Weight and High Strength. Not Available with Frame Transit Tie-Down.).....\$2106
- XFS1 **Swing Away**.....STD K0005
- XFS3 **Hemi Height Frame** (Available with a Front Seat Height of 13.5" - 20" (34-51cm). Not Available with Depth Adjustable Back/Frame, 12" or 13" Seat Depth or Heavy Duty Frame.).....NCO
- XFS2 **Fixed Front**.....NCO K0005
- XHDR1 **Heavy Duty Frame (350 Pound Weight Limit.** Includes Tension Adjustable by Straps Back Upholstery. Available with 18" to 22" Seat Widths and 16" to 20" Seat Depths. Not Available with 90° front end).....\$472
- XPWR1 **Power Adaptable Frame** (No charge when 20" Rear Seat Width A and 20" Seat Depth B are selected. Requires LiteSpeed Billet Aluminum Front Wheels and 0 degree Camber. Not available with Single-Sided Forks).....\$369
- XRFR1 **Reinforced Frame** (No charge when 20" Rear Seat Width and 20" Seat Depth or Heavy Duty is selected.).....\$369

SMARTDRIVE POWER ASSIST SYSTEM

- AEXMAXSD1 **Permobil Smart Drive MX2+** (Not available with rear seat heights less than 13.5").....\$7529 E0986
 - AEXMAXSD16 **NEW** SpeedControl Dial AEXMAXSD17 Extended Mount **OR** AEXMAXSD18 SwitchControl Buttons.....NCO
 - AEXMAXSD13 **NEW** PushTracker E3 (Not required).....\$51
 - AEXMAXSD8 SwitchControl Button with Mono Jack Option.....\$159
 - AEXMAXSD19 **NEW** Buddy Button.....\$262
 - AEXMAXSD4 Carrying Bag.....\$84
 - AEXMAXSD10 Universal Padded Handle.....\$22
- *SmartDrive apps available on Watch OS (Apple Watch Series 5 or newer).

TRANSIT OPTIONS

- XTTDO1 **Aluminum Frame Transit Tie-Down** (Consists of four Tie-Down Brackets. Not Available with 2GX2, Heavy Duty Frame, Hemi Height Frame, Swing Away Tubular Armrests or Swing Away- Flip Back Tubular Armrests. Requires a Folding Stabilizer Bar unless a Depth Adjustable Backrest is selected. Requires minimum seat depth of 14". Please refer to the Aero X Transit Tie-Down Option Brochure for important information regarding the Transit Tie-Down Options.).....\$363
- XWTB **Transport Bracket Option** (Consists of four Tie-Down Brackets. Unoccupied Use Only.) (Not Available when Swing Away frame and Heavy Duty Frame are both selected. Not available with Swing Away Tubular Armrest or Swing Away -Flip Back Tubular Armrests. Requires a minimum seat depth of 14" or 15" seat Depth with Hemi Height Frame.).....\$379

FRAME FINISHES

Natural Finishes

- XFF1 **Satin** (Available with Titanium Frame only.).....STD
- XSCBT1 **Satin Finish Buffing Pads**.....\$22
- XFF3 **Tattoos** (Tattoos on front frame tubes. Titanium frame finished in Satin. Aluminum frame tattooed in blasted aluminum with clear coat. Tattoos will be trimmed and adjusted to fit your frame.).....\$363

XFF45 Need For Speed

XFF44 Flower Garden



XFF43 Mosaic



- High Gloss Paint** XFF8 High Gloss Black XFF10 TiLite Red XFF29 Neon Pink
- Metallic Paint** XFF14 Ocean Blue Metallic XFF15 Tangerine Metallic XFF30 Acid Green Metallic
- Pearlescent Paint** XFF17 Midnight Blue Pearl XFF18 White Pearl
- Matte Paint** XFF19 Black Lava XFF27 Titanium Grey
- Candy Paint** XFF22 Ruby Red XFF23 Azure Blue XFF25 Electric Plum
- Matte Textured Paint** XFF40 Hyper Blue XFF41 Flame Orange XFF42 OD Green.....STD



Permobil.com
2701 West Court Street / Pasco, Washington 99301
Tel 800 736 0925 or Email tilitesales@permobil.com

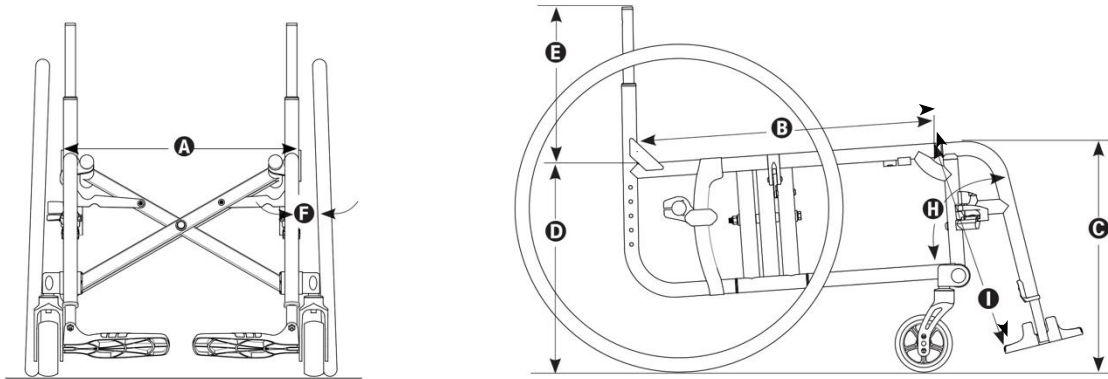
TiLite Aero X Order Form

FRAME MEASUREMENTS

Measurements shown below are our most popular selections. **Not seeing what you want?** Contact customer service or visit our Creative Mobility Division (CMD) catalog [here](#) to view additional options.

SEAT WIDTH A Measure from outside of seat tube at back post to the outside of the opposite seat tube at back post.

- XSW1 12" 13" 14" 15" 16" 17" 18" 19".....**STD**
 XSW2 20" 21" 22" (21" and 22" Seat Widths A are only available with Heavy Duty Frame.).....**\$536 E2201**



SEAT DEPTH B Measure from 1/2" in front of back post to the front edge of seat sling. (12"-14" Seat Depths B not available with 25" (559) and 26" (560) Rear Wheels.)

- XSD1 12" 13" 14" 15" 16" 17" 18" 19".....**STD**
 XSD2 20".....**\$568 E2203**
 XSD3 Custom Frame Depth: _____" Frame Depth Longer Than Seat Depth (Use 1" increments with a maximum of 2". A Custom Frame Depth with a maximum of 20" is \$546.).....**NCO**

FRONT SEAT HEIGHT C Measure from floor to top of seat tube at front edge of seat sling. Adjustable in 1/2" increments. (13.5" - 14" Front Seat Height C requires Hemi Height Frame Style. 20.5" - 21.5" Front Seat Height C not available with Hemi Height Frame Style.)

FRONT SEAT HEIGHT RANGES

Front Wheel Size	Front Seat Height C	Hemi Front Seat Height C
3" Front Wheel	14.5" – 18.5"	13.5" – 17.5"
3" Front Wheel w/ Glide™	16.5" – 17.5"	15.0" – 17.0"
4" Front Wheel	15.5" – 19.0"	14.5" – 18.0"
4" Front Wheel w/ Glide™	17.0" – 18.0"	15.5" – 17.0"
5" Front Wheel	16.5" – 19.5"	16.0" – 18.5"
5" Front Wheel w/ Glide™	17.5" – 18.5"	16.5" – 18.0"
6" Front Wheel	17.5" – 20.0"	16.5" – 19.0"
6" Front Wheel w/ Glide™	19.0"	17.5" – 18.0"
8" Front Wheel	19.5" – 21.0"	18.5" – 19.5"

- XFSH1 13.5" 14" 14.5" 15" 15.5" 16" 16.5" 17.0" 16.5" 16.5" 17.0"
 17.5" 18.0" 18.5" 19.0" 19.5" 20.0" 20.5" 21.0".....**STD**

REAR SEAT HEIGHT D Measure from floor to top of seat tube at back post. Adjustable in 3/8" increments.

Rear Wheel Size	Rear Seat Height
22"	13.0" – 18.0"
24"	14.0" – 19.0"
25"	14.0" – 19.0"
26"	15.0" – 20.0"

- XRSH1 13" 13.5" 14" 14.5" 15" 15.5" 16" 16.5" 17" 17.5" 18" 18.5"
 19" 19.5" 20".....**STD**

BACK SUPPORTS

COMFORT ACTA-BACK® Back Support

- Acta-Back with 2-PT Quick Release Compass Hardware.....**\$616 E2613**
Shell Height 10" 12" 14" 16" 18"**STD**
 20".....**\$83**
 Comfort-Tek Cover Stretch-Air Cover.....**NCO**
 Color Accent (Colored piping along the edge of the cover on the backside of the backrest) Silver.....**STD**
 Red Purple Pink Blue Green Orange Remove (no color).....**\$30**
 Comfort Privacy Shield.....**\$44**

TiLite Aero X Order Form

COMFORT ACTA-BACK® Deep Back Support

- Acta-Back Deep with 2-PT Quick Release Compass Hardware..... **\$730** **E2615**
- Shell Height** 10" 12" 14" 16" 18"..... **STD**
- 20"..... **\$93**
- Comfort-Tek Cover Stretch-Air Cover..... **NCO**
- 3" Deep Wing 5" Deep Wing..... **NCO**
- Color Accent (Colored piping along the edge of the cover on the backside of the backrest) Silver..... **STD**
- Red Purple Pink Blue Green Orange Remove (no color)..... **\$30**
- Comfort Privacy Shield..... **\$44**

COMFORT ACTA-EMBRACE® Back Support

- Shell Height** 10" 12" 14" 16"
- SBR16 Acta-Embrace Back with 2-PT Quick Release Compass Hardware..... **\$642** **E2613**
- CPSB1 Comfort Privacy Shield..... **\$44**

COMFORT ACTA-RELIEF Back Support

- Shell Height** 10" 12" 14" 16"
- SBR13 Acta-Relief Back with 2-PT Quick Release Compass Hardware..... **\$846** **E2615**
- CPSB1 Comfort Privacy Shield..... **\$44**

SEAT BACK HEIGHT E/SEAT BACK/PUSH HANDLES Measure from top of back post to top of seat tube at rear of frame.

SEAT BACK TYPE

- XSB13 Fixed Angle, Adjustable-Height Seat Back..... **STD**
- XLB1 Folding Stabilizer Bar (Required with Transit Tie-Down Option unless Depth Adjustable Backrest is selected. Includes Tension Adjustable by Strap Back Upholstery.)..... **\$423**
- XSB14 Fixed Angle, Adjustable Height Seat Back w/8-Degree Bend. (Not available with Heavy Duty Frame.)..... **NCO**
- XSB18 Folding Adjustable-Angle and Height Seat Back (Not available with Heavy Duty Frame or Ride Designs® Corbac™.)..... **\$250**
- XSB16 Depth Adjustable Back/Frame (Not Available with Hemi Height Frame, Heavy Duty Frame, 19" or 20" Seat Depths B, Swing Away Tubular or Swing Away Flip-Back Armrest. Seat Depths B of 12"-17" allow 3" of rearward adjustment. Seat Depth B of 18" allow 2" of rearward adjustment. Requires Tension Adjustable Seat Upholstery)..... **\$244**

PUSH HANDLES

- XSB6 Integrated Push Handles..... **NCO**
- XSB7 Integrated Fold-Down Push Handles (Requires Tension Adjustable by Straps Back Upholstery. Not available with Heavy Duty Frame.)..... **\$125**
- XSB9 Bolt-On Height Adjustable Push Handles (Requires Tension Adjustable by Straps Back Upholstery. Not available with Heavy Duty Frame, Folding Adjustable-Angle and Height Seat Back, Swing Away Tubular Armrests or Swing Away - Flip Back Tubular Armrests.)..... **\$363**

XSB20/XSB14 **FIXED ANGLE ADJUSTABLE SEAT BACK HEIGHT E** (11"- 15" Fixed Seat Back Height not available with Heavy Duty Frame, Swing Away Tubular Arms 12"-15", Bolt-On Height Adjustable Push Handles or Folding Stabilizer Bar.)

Push Handles (Selected on Pg. 2)	Short	Tall	Set at: (Use 1" Increments)
None	<input type="checkbox"/> 11.0"- 15.0"	<input type="checkbox"/> 16"- 20"	Set at: _____
Integrated	<input type="checkbox"/> 11.0"- 15.0"	<input type="checkbox"/> 16"- 20"	Set at: _____
Integrated Fold-Down	<input type="checkbox"/> 11.0"- 15.0"	<input type="checkbox"/> 16"- 20"	Set at: _____
Bolt-On Height Adj.	-----	<input type="checkbox"/> 16"- 20"	Set at: _____

XSB18 **FOLDING ADJUSTABLE- ANGLE AND HEIGHT SEAT BACK E** (Not available with a Folding Stabilizer Bar or Heavy Duty Frame)

Push Handles (Selected on Pg. 2)	Short	Medium	Tall	Set at: (Use 1" Increments)
None	<input type="checkbox"/> 11.0" – 13.0"	<input type="checkbox"/> 13.5" – 16.5"	<input type="checkbox"/> 16.5" – 19.5"	Set at: _____
Integrated	<input type="checkbox"/> 12.5" – 14.5"	<input type="checkbox"/> 13.5" – 16.5"	<input type="checkbox"/> 17.0" – 19.5"	Set at: _____
Integrated Fold-Down	<input type="checkbox"/> 15.0" – 17.0"	<input type="checkbox"/> 16.0" – 19.0"	<input type="checkbox"/> 18.5" – 20.5"	Set at: _____

FRAME MEASUREMENTS

Options shown below are our most popular selections. **Not seeing what you want?** Contact customer service or visit our Creative Mobility Division (CMD) catalog [here](#) to view additional options.

CAMBER F

- XCBR8 0° 2° 4° 6°..... **STD**

FRONT ANGLE H Front Angle H is measured from inside of front frame tube to top of bottom frame tube.

Swing Front End

- XFA3 70° 80° 85° (Not available with 6" Front Wheels.) 90° (Requires aluminum footplate. Not available with Heavy Duty Frame, 5" or 6" Front Wheels.)..... **STD**
- XFA0 Omit Hangers..... **NCO**

Fixed Front End

- XFA6 70° 80° 85° (85° Not available with 6" Front Wheels.)..... **STD**

TiLite Aero X Order Form

SEAT TO FOOTREST | Measure from front edge of seat sling to top rear of footrest.

If your Front Angle H is 70°, 80°, OR 85° select one Seat to Footrest I length and one Footrest type:
Standard Footrests Measurement must be at least 2" shorter than Front Seat Height C. 70° Fixed Front has a minimum seat to footrest of 14.5"

14" 14.5" 15" 15.5" 16" 16.5" 17" 17.5" 18" 18.5" 19" 19.5" 20"

XFTR5	<input type="checkbox"/> Flip-up Footrest.....	STD	
XFTR9	<input type="checkbox"/> Depth Adjustable Flip-up Footrest.....	\$120	K0045
XFTR10	<input type="checkbox"/> Depth & Angle Adjustable Flip-up Footrest (Available for 15"- 20" Seat to Footrest I only.).....	\$293	K0040, K0045
XFTR11	<input type="checkbox"/> Angle Adjustable Flip-up Footrest (Available for 15"- 20" Seat to Footrest I only.).....	\$185	K0040, K0045

High Mount Footrests (Not Available with Luggage Carriers, or Impact Guards.)

7" 7.5" 8" 8.5" 9" 9.5" 10" 10.5" 11" 11.5" 12" 12.5" 13" 13.5" 14" 14.5"

XFTR20	<input type="checkbox"/> High Mount Flip-up.....	\$202	K0037
XFTR15	<input type="checkbox"/> Angle Adjustable High Mount Flip-up Footrest.....	\$352	K0040, K0037
XFTR16	<input type="checkbox"/> Depth & Angle Adjustable High Mount Flip-up Footrest.....	\$406	K0040, K0037

Elevating Leg Rest

14" 15" 16" 17" 18" 19" 20" 21"

XFA5	<input type="checkbox"/> Single Depth Adjustable Flip-up Footrest - <input type="checkbox"/> Left OR <input type="checkbox"/> Right.....	\$185	E0990
XFTR17	<input type="checkbox"/> Depth Adjustable Flip-up Footrest - Pair.....	\$363	

If your Front Angle H is 90°, select one Seat to Footrest I length and one Footrest type:

7" 8" 9" 10" 11" 12" 13"

XFTR5	<input type="checkbox"/> Flip-up Footrest.....	STD	
XFTR9	<input type="checkbox"/> Depth Adjustable Flip-up Footrest.....	\$120	K0037
XFTR10	<input type="checkbox"/> Depth & Angle Adjustable Flip-up Footrest.....	\$293	K0040, K0037
XHLP1	<input type="checkbox"/> Heel Loops (Not available with 13" or narrower Seat Width A or 1-Piece Footrests.).....	\$55	E0951

FRONT WHEELS (See Front Seat Height Ranges Chart on Page 2 for Front Seat Height C limitations.)

XFW24	<input type="checkbox"/> 3"x1.5" LiteSpeed Billet Aluminum Wheel w/Soft Roll Tire <input type="checkbox"/> Silver Hub OR <input type="checkbox"/> Black Hub.....	\$206	
XFW14	<input type="checkbox"/> 4"x.75" Plastic Wheel w/Poly Tire (Not available with Power Adaptable Frame or Heavy Duty Frame).....	NCO	
XFW3	<input type="checkbox"/> 4"x.75" Light-Up Micro-Caster (Not available with Power Adaptable Frame or Heavy Duty Frame).....	\$88	
XFW26	<input type="checkbox"/> 4"x1.5" LiteSpeed Plastic Wheel w/Soft Roll Tire (Not available with Power Assist, Power Add-on System or Heavy Duty Frame).....	\$112	
XFW27	<input type="checkbox"/> 4"x1.5" LiteSpeed Billet Aluminum Wheel w/Soft Roll Tire <input type="checkbox"/> Silver Hub OR <input type="checkbox"/> Black Hub.....	\$217	
XFW6	<input type="checkbox"/> 5"x1" Plastic Wheel w/Poly Tire (Not available with Power Adaptable Frame, Heavy Duty Frame or with 90° Front Angle H.).....	NCO	
XFW28	<input type="checkbox"/> 5"x1.5" LiteSpeed Plastic Wheel w/Soft Roll Tire (Not available with Power Adaptable Frame, Heavy Duty Frame or 90° Front Angle H.).....	\$103	
XFW30	<input type="checkbox"/> 5"x1.5" LiteSpeed Billet Aluminum Wheel w/Soft Roll Tire <input type="checkbox"/> Silver Hub OR <input type="checkbox"/> Black Hub (Not available with 90° Front Angle H.).....	\$233	
XFW9	<input type="checkbox"/> 6"x1" Plastic Wheel w/Poly Tire (Not available with Power Adaptable Frame, Heavy Duty Frame or 85° or 90° Front Angle H.).....	NCO	
XFW32	<input type="checkbox"/> 6"x1.5" LiteSpeed Plastic Wheel w/Soft Roll Tire (Not available with Power Adaptable Frame, Heavy Duty Frame, 85° or 90° Front Angle H.).....	\$119	
XFW33	<input type="checkbox"/> 6"x1.5" LiteSpeed Billet Aluminum Wheel w/Soft Roll Tire <input type="checkbox"/> Silver Hub OR <input type="checkbox"/> Black Hub (Not available with 85° or 90° Front Angle H.).....	\$244	
XFW16	<input type="checkbox"/> 8"x1" Plastic Wheel w/Poly Tire (Not available with Power Assist, Power Add-on, Heavy Duty Frame or 12"-14" Seat Depths. Available with 70° Front Angle H only.).....	NCO	

FRONT FORKS

XFk1	<input type="checkbox"/> TiLite Standard Fork.....	STD	
XGL1	<input type="checkbox"/> Glide™ Suspension Fork (Available in Black anodize only. Not available with 8" Front Wheels or Heavy Duty Frame).....	\$526	E1015

Rider's Weight: 125 lbs. 125-180 lbs. 180-265 lbs.

ONE ARM DRIVE

XOAD1	<input type="checkbox"/> One Arm Drive (Available with 24" Mag Wheels only. Rear Seat Height, Camber or axle restrictions may apply.).....	\$1298	E0958
-------	--	---------------	--------------

Drive Handrim Side (Available with standard aluminum handrim only.) Install on Left Install on Right

STANDARD REAR WHEELS (See Rear Seat Height Ranges Chart on Page 2 for Rear Seat Height D limitations.)

XRW14	TiLite SHADOW™.....	STD	
	<input type="checkbox"/> 22"(501)		
	<input type="checkbox"/> 24"(540)		
	<input type="checkbox"/> 25"(559) (Requires 15" minimum Seat Depth B.)		
	<input type="checkbox"/> 26"(590) (Requires 15" minimum Seat Depth B.)		

PERFORMANCE REAR WHEELS (See Rear Seat Height Ranges Chart on Page 2 for Rear Seat Height D limitations.)

XRW7	Spinergy® SPOX <input type="checkbox"/> Black <input type="checkbox"/> Red <input type="checkbox"/> Blue <input type="checkbox"/> White.....	\$915	
	<input type="checkbox"/> 22"(501) - Std. Hub		
	<input type="checkbox"/> 24"(540) - Std. Hub		
	<input type="checkbox"/> 25"(559) - Std. Hub (Requires 15" minimum Seat Depth B.)		
	<input type="checkbox"/> 26"(590) - Std. Hub (Requires 15" minimum Seat Depth B.)		
XRW8	Spinergy® LX (Available with Heavy Duty Frame only when 0 or 2 degree camber is selected.)		
	<input type="checkbox"/> Black <input type="checkbox"/> Red <input type="checkbox"/> Blue <input type="checkbox"/> White <input type="checkbox"/> Bright Orange <input type="checkbox"/> Flamingo Pink <input type="checkbox"/> Purple.....	\$1148	
	<input type="checkbox"/> 22"(501) - Std. Hub		
	<input type="checkbox"/> 24"(540) - Std. Hub		
	<input type="checkbox"/> 25"(559) - Std. Hub (Requires 15" minimum Seat Depth B.)		
	<input type="checkbox"/> 26"(590) - Std. Hub (Requires 15" minimum Seat Depth B.)		

TiLite Aero X Order Form

ZRW9	Spinergy Design Lab LX Wheels (If same color is selected, anodized hubs and rims match color anodized package on page 1. Available with black spokes only.) <input type="checkbox"/> Gold Anodize <input type="checkbox"/> Green Anodize <input type="checkbox"/> Blue Anodize <input type="checkbox"/> Red Anodize <input type="checkbox"/> Purple Anodize <input type="checkbox"/> Orange Anodize.....	\$1364
	<input type="checkbox"/> 22"(501) - Std. Hub	
	<input type="checkbox"/> 24"(540) - Std. Hub	
	<input type="checkbox"/> 25"(559) - Std. Hub (Requires 15" minimum Seat Depth B.)	
	<input type="checkbox"/> 26"(590) - Std. Hub (Requires 15" minimum Seat Depth B.)	

XRW16	Spinergy® Carbon Blade with 2x2 Twill Weave Carbon Fiber (Not available with Heavy Duty Frame.).....	\$1602
	<input type="checkbox"/> 24"(540)	
	<input type="checkbox"/> 25"(559) (Requires 15" minimum Seat Depth B.)	

XRW17	X-Core Mag (Not available with Heavy Duty Frame, Short Tabs, Quad Release Axles, Spoke Guards or Omit Handrims Option. Requires Aluminum Sliver Anodized Handrims.).....	NCO
	<input type="checkbox"/> 22"(501)	
	<input type="checkbox"/> 24"(540)	

AXLES

XAXL1	<input type="checkbox"/> Stainless Quick Release.....	STD
XAXL2	<input type="checkbox"/> Titanium Quick Release.....	\$277
XAXL3	<input type="checkbox"/> Quad Release (Not available with Mag or 26"(590) Spinergy Spox or Spinergy LX Rear Wheels.).....	\$169

PNEUMATIC REAR TIRES

XRTR1	<input type="checkbox"/> Treaded 22"(501), 24"(540), and 26"(590) (Not available with 25"(559) Rear Wheels.).....	STD
XRTR2	<input type="checkbox"/> Airless Inserts.....	\$98
XRTR31	<input type="checkbox"/> New MBL SpeedLite 20"(451), 22"(501), 24"(540), 25"(559) and 26"(590).....	STD
XRTR30	<input type="checkbox"/> 24"(540), 25"(559) and 26"(590) Primo Sentinel.....	\$136
XRTR8	<input type="checkbox"/> 24"(540), 25"(559) and 26"(590) Schwalbe® Marathon Plus Evolution.....	\$152
XRTR32	<input type="checkbox"/> 24"(540) Primo C-763 Knobby.....	\$104

E2213

SOLID REAR TIRES

XRTR22	<input type="checkbox"/> 22"(501), 24"(540) and 25"(559) Primo Express (Not available with Spinergy Carbon Blade Rear Wheels.).....	\$120
XRTR23	<input type="checkbox"/> 24"(540) and 25"(559) Primo Active.....	\$147

HANDRIMS

XRIM1	<input type="checkbox"/> Aluminum – Silver Anodized.....	STD
XRIM21	<input type="checkbox"/> Aluminum – Black Anodized.....	NCO
XRIM12	<input type="checkbox"/> Titanium – Satin Finish (Not available with 20"(451) or 22"(501) Rear Wheels, or 24"(540) Knobby tires.).....	\$509
XRIM10	<input type="checkbox"/> The Surge (All-In-One Oval with Gription™ Strip, Larger Profile).....	\$433
XRIM11	<input type="checkbox"/> The Surge LT (All-In-One Oval with Gription™ Strip, Smaller Profile).....	\$466
XRIM20	<input type="checkbox"/> Q-Grip (Exclusive High-Friction, Anti-Slip Coating).....	\$358

The Natural-Fit® (Original, Larger Profile) (Not available with 20"(451) Rear Wheels.)

TRIM14	<input type="checkbox"/> Standard Grip (Not available with Short Tabs or Spinergy Carbon Blade Rear Wheels.).....	\$428
TRIM15	<input type="checkbox"/> Super Grip (Not available with Short Tabs or Spinergy Carbon Blade Rear Wheels.).....	\$466
TRIM16	<input type="checkbox"/> Without Thumb Grip.....	\$390

The Natural-Fit® LT (Reduced Weight, Smaller Profile) (Not available with 20"(451) Rear Wheels.)

TRIM17	<input type="checkbox"/> Standard Grip (Not available with Short Tabs or Spinergy Carbon Blade Rear Wheels.).....	\$440
TRIM18	<input type="checkbox"/> Super Grip (Not available with Short Tabs or Spinergy Carbon Blade Rear Wheels.).....	\$514
TRIM19	<input type="checkbox"/> Without Thumb Grip.....	\$423

Additional Handrim Options

XRIM5	<input type="checkbox"/> Plastic Coated – Black.....	\$174
XRIM22	<input type="checkbox"/> Omit Handrims.....	NCO

Tab Length

XRIM7	<input type="checkbox"/> Long Tabs.....	STD
XRIM8	<input type="checkbox"/> Short Tabs (Not available with Mag Rear Wheels or The Natural-Fit® Handrims with Thumb Grip.).....	\$28

WHEEL LOCKS (Composite wheel locks not always compatible with 12"-13" Seat Depth. Uni-locks will be substituted at no charge.)

XWLK7	<input type="checkbox"/> Compact Composite <u>Push</u> to Lock.....	NCO
XWLK8	<input type="checkbox"/> Compact Composite <u>Pull</u> to Lock.....	NCO
XWLK10	<input type="checkbox"/> Extension Handles for Compact Composite Push/Pull to Lock.....	\$93

E0961

Additional Wheel Locks

XWLK11	<input type="checkbox"/> MBL Composite Scissor Lock (Not available on Aero X2 Swing Away.).....	\$158
XWLK3	Uni-Lock Set At: <input type="checkbox"/> Push OR <input type="checkbox"/> Pull.....	\$179
XWLK4	<input type="checkbox"/> Extension Handles for Uni-Lock.....	\$93
XWLK15	<input type="checkbox"/> Grade Aids Push to Lock (Not available with solid rear tires).....	\$190

E0961

E0974

TiLite Aero X Order Form

BACK UPHOLSTERY (Want more seating options? [Click here](#) to view the new TiLite Seating Order Form.)

XBUP1	<input type="checkbox"/> Padded Nylon (Black Only. Not available with Heavy Duty Frame, Folding Back, Folding Stabilizer Bar, Depth Adjustable Frame, Fold-Down Push Handles or Ultrasuede Backrest Stripe.)	STD	
Tension Adjustable by Straps (Included with Heavy Duty Frame. Required with Aluminum Fendered Side Guards and Fold-Down Push Handles.)			
XBUP3	<input type="checkbox"/> Padded Nylon	\$369	E2611
XBUP5	<input type="checkbox"/> AIR Breathable Upholstery (Not available with Ultrasuede Backrest Stripe.)	\$369	E2611
XUPC3	Ultrasuede Backrest Stripe <input type="checkbox"/> Black (Not available with Padded Nylon or AIR Breathable Back Upholstery.)	\$115	
XBUP0	<input type="checkbox"/> Omit Back Upholstery	NCO	

SEAT UPHOLSTERY

XSUP4	<input type="checkbox"/> Tension Adjustable (Black only)	STD	
XSUP0	<input type="checkbox"/> Omit Seat Upholstery	NCO	

SEAT CUSHION (Want more seating options? [Click here](#) to view the new TiLite Seating Order Form.)

XCSH2	<input type="checkbox"/> Comfort Curve Cushion (Stretch-Air cover)	\$122	E2601
ZCSH23	<input type="checkbox"/> Comfort Acta-Embrace™ Comfort-Tek Zero Elevation Cushion	\$428	E2607
XCSH15	<input type="checkbox"/> ROHO® Hybrid Elite SR™ Single Compartment Cushion (Fits seat widths 14" to 19")	\$552	E2622
XCSH14	<input type="checkbox"/> ROHO® QUADTRO SELECT® Cushion (Fits seat widths 14" to 19") Profile: <input type="checkbox"/> Low <input type="checkbox"/> Mid <input type="checkbox"/> High	\$534	E2624
XCSH16	<input type="checkbox"/> ROHO® Hybrid Select Cushion (Fits seat widths 14" to 18", and 20")	\$571	E2624
XCSH17	<input type="checkbox"/> Vicair Active O2 Low (Fits even seat widths A 14" to 20". Non-stock upcharges may apply)	\$515	E2624

CUSTOM CONFIGURATION OPTIONS

SIDE GUARDS

Aluminum

XSDG2	<input type="checkbox"/> Rigid Removable <input type="checkbox"/> Small OR <input type="checkbox"/> Std	\$217	
XSDG3	<input type="checkbox"/> Quad Removable w/Hole <input type="checkbox"/> Small OR <input type="checkbox"/> Std	\$233	
XSDG6	<input type="checkbox"/> Fendered Adjustable (Requires Tension Adjustable by Straps Back Upholstery. Not available with Angle-Adjustable Fold-Down Seat Backs.)	\$363	

2x2 Twill Weave Carbon Fiber

XSDG7	<input type="checkbox"/> Rigid Removable <input type="checkbox"/> Small OR <input type="checkbox"/> Std	\$336	
XSDG8	<input type="checkbox"/> Quad Removable w/Hole <input type="checkbox"/> Small OR <input type="checkbox"/> Std	\$347	

Custom Offset Profiled Sideguards CMD 007. Please specify desired offset to nearest ±1/2" (e.g., ±0.50") and sideguard type (rigid or fold-down) in the Notes section of the order form. Sideguard material must be selected. Some limitations may apply.

ARMRESTS (Desk Arms come with built-in Side Guards.)

XARM1	Swing Away Tubular (Not available with Heavy Duty Frame, Folding Stabilizer Bar with Short or Medium Seat Back Height ranges or Depth Adjustable Back.)	\$244	E0973
	<input type="checkbox"/> 9" - 12" OR <input type="checkbox"/> 12" - 15"		
XARM4	<input type="checkbox"/> Swing Away - Flip Back Tubular (Not available with Heavy Duty Frame, Folding Stabilizer Bar or Depth Adjustable Back.)	\$342	E0973
XARM2	Removable Height Adjustable Desk Arm with Rigid Side Guard (Requires 14" minimum Seat Depth B.)	\$363	E0973
	<input type="checkbox"/> 9" to 12" OR <input type="checkbox"/> 12" to 15"		
	<input type="checkbox"/> Standard Length Pad (10") OR <input type="checkbox"/> Full Length Pad (14")		
XARM3	Removable Height Adjustable Desk Arm with Rigid Side Guard and Transfer Loop (Requires 16" minimum Seat Depth B.)	\$406	E0973
	<input type="checkbox"/> 9" to 12" OR <input type="checkbox"/> 12" to 15"		
	<input type="checkbox"/> Standard Length Pad (10") OR <input type="checkbox"/> Full Length Pad (14")		
Available Armrest Option			
XARM5	<input type="checkbox"/> Covered in Black Ultrasuede (Not available with Desk Arms)	\$120	

SEAT BELTS

XBLT1	<input type="checkbox"/> Velcro Adjustable, Black Nylon Webbing	\$61	E0978
XBLT2	<input type="checkbox"/> Bodypoint® 2" Push-Button Buckle (Auto-Style.)	\$103	E0978
XBLT4	<input type="checkbox"/> Bodypoint® 1" Wide Push-Button Buckle Padded (Auto-Style.) (Not available with 19" - 22" Rear Seat Widths A.)	\$196	E0978
XBLT5	<input type="checkbox"/> Bodypoint® 1.5" Wide Push-Button Buckle Padded (Auto-Style.) (Not available with 19" - 22" Rear Seat Widths A.)	\$185	E0978
XBLT8	<input type="checkbox"/> Q'Straint® WC-19 Wheelchair-Anchored Pelvic Belt (Recommended for use with Transit Tie Down.)	\$217	E0978
XBL10	<input type="checkbox"/> Bodypoint® Optional Band Clamp Mounting Hardware	\$22	K0108
XBLT16	<input type="checkbox"/> Bodypoint® EvoFlex® Pelvic Stabilizer Push Button	\$201	E0978

CALF STRAP

XCLF2	Velcro Adjustable	\$44	K0038
	<input type="checkbox"/> Small (Recommended for 9" - 12" Footrest Widths)		
	<input type="checkbox"/> Medium (Recommended for 11" - 15" Footrest Widths)		
	<input type="checkbox"/> Large (Recommended for 14" - 17" Footrest Widths)		
	<input type="checkbox"/> Xtra Large (Recommended for 16" - 19" Footrest Widths)		
XCLF3	Bodypoint® Padded Velcro Adjustable	\$109	K0038
	<input type="checkbox"/> Medium (Recommended for 12" - 15" Footrest Widths)		
	<input type="checkbox"/> Large (Recommended for 16" - 20" Footrest Widths)		
XCLF1	<input type="checkbox"/> Buckle Adjustable, Black Nylon Webbing	\$34	K0038

TiLite Aero X Order Form

Effective Jan 2023 (New Items in Red)

FOLDING FRAME

Page 7 of 7

RESIDUAL LIMB SUPPORT

XRSL1	<input type="checkbox"/> Residual Limb Support (8" width x 10" length)	\$428	E1020
XRSL2	<input type="checkbox"/> Residual Limb Support Pair (8" width x 10" length)	\$855	E1020

BACKPACK

XBCK3	<input type="checkbox"/> Permobil Medical Necessities Backpack	\$103	
-------	--	-------	--

SEAT POUCH

XPCH3	<input type="checkbox"/> Permobil Medical Necessities Seat Pouch	\$66	
XPCH4	<input type="checkbox"/> Bodypoint® Mobility Bag	\$109	

CUSTOM CONFIGURATION OPTIONS

SPOKE GUARDS

XGRD1	<input type="checkbox"/> Clear with TiMotion Logo (Not available with Mag Rear Wheels.)	\$147	K0065
-------	---	-------	-------

ANTI-TIPS

XTIP1	<input type="checkbox"/> Rear Aluminum - Black	\$174	E0971
XTIP2	<input type="checkbox"/> User Friendly Flip-up	\$363	E0971
XTIP9	<input type="checkbox"/> Tip Assist	\$115	E0971

ACCESSORIES

XUEST1	Upper Extremity Support Tray <input type="checkbox"/> 12" to 14" OR <input type="checkbox"/> 13" to 15" Seat Widths A (Requires Armrests.)	\$315	E0950
XLUG1	<input type="checkbox"/> Luggage Carriers (Not available with High Mount Swing Away Footrests or 1-Piece Flip-up Footrest.)	\$158	
XMPCT2	Neoprene Impact Guards with Ultrasuede Stripe (Not available with High Mount Footrests, 90° Hangers or Elevating Leg Rest.)		
	<input type="checkbox"/> Black	\$115	
XCH1	<input type="checkbox"/> Crutch Holder	\$244	
XAFP1	4" Logo Patch <input type="checkbox"/> Army <input type="checkbox"/> Navy <input type="checkbox"/> Air Force <input type="checkbox"/> Marines	\$115	

GENERAL

More options and frame modifications may be available through our Creative Mobility Division! Please contact customer service for details or [click here](#) to view options.

Permobil manufactures TiLite manual wheelchairs in a wide variety of configurations to meet the varied needs of wheelchair users. The final selection of a particular model, its options and accessories, and its measurements rests solely with the wheelchair user and advising healthcare professional. These wheelchairs must be fitted by a qualified healthcare professional. HCPCS Codes are for reference purposes only. Actual coding and coverage varies by payer. Proper HCPCS coding is not a guarantee of payment. Please verify the appropriate payer's coverage policy.

Get the latest order forms at permobilus.com. Prices, standard features, options and accessories are subject to change without notice. All rights reserved. Trademarks are identified by symbols™ and ®. TiLite, TiFit, the TiLite logo, Ti, the Ti logo, and TiShaft are registered trademarks of TiSport, LLC and are licensed to Permobil. Permobil® is a registered trademark of Permobil. Adobe®, Acrobat®, Acrobat Professional® and Reader® are registered trademarks of Adobe Systems Inc. Bodypoint® is a registered trademark of Bodypoint Inc. Kenda® is a registered trademark of Kenda Rubber Industrial Co. Ltd. ROHO®, AGILITY®, Low Profile® and Quadro Select® are registered trademarks of ROHO Inc. Schwalbe® is a registered trademark of Ralf Bohle GmbH. The Natural-Fit® and Out-Front® are registered trademarks of Three Rivers Holdings, LLC. The ACTA-BACK®, ACTA-EMBRACE™, COMFORT-TEK™, COMPASS®, CURVE®, ELEMENTS®, and STRETCH AIR™ are registered trademarks of THE COMFORT COMPANY® and are licensed to Permobil. Q'Strain® is a registered trademark of Q'Strain Inc.

NOTES

QUOTE THIS CHAIR

If you are using Adobe Acrobat, this order form may be converted into a quote request or into an order by clicking one of the buttons (this feature is available exclusively to Permobil dealers and distributors). A Quote or an Order Confirmation will be sent to you within 24 hours.

ORDER THIS CHAIR