



Zippie Zone

January 2014

EIRZ1

Date: _____ Dealer Acct #: _____ Dealer: _____ Dealer Contact: _____ Dealer Address: _____ Dealer City: _____ ST: _____ ZIP: _____ Dealer Phone: () _____ Fax: () _____ Confirm Via: <input type="checkbox"/> Email <input type="checkbox"/> Fax <input type="checkbox"/> Phone	SHIPPING INFORMATION PO#: _____ Ship To: _____ Attention: _____ Address: _____ Address: _____ Ship To City: _____ ST: _____ ZIP: _____ Ship To Phone: () _____ Fax: () _____ Confirmation Email: _____
--	---

Mark For:

The HCPCS CODES provided are based on code verification through PDAC or our interpretation of the code definitions. The use of HCPCS CODES does not ensure coverage or payment. For coverage information, verify the appropriate payer's coverage policy.

✓	Option #	HCPCS	Definition	Price	✓	Option #	HCPCS	Definition	Price
---	----------	-------	------------	-------	---	----------	-------	------------	-------

1. FRAME STYLE

Frame w/ seating				
<input type="checkbox"/>	190FS38	E1235	Zippie Zone w/ seating	\$2,475.00
<input type="checkbox"/>	190FS39	E1235	Zippie Zone, Flared w/ seating (Increase of total frame length appx. 2" - 1" per side flare.)	\$2,475.00

Frame w/out seating				
<input type="checkbox"/>	190FS40	E1237	Zippie Zone w/out seating	\$2,325.00
<input type="checkbox"/>	190FS41	E1237	Zippie Zone, Flared w/out seating (Increase of total frame length appx. 2" - 1" per side flare.)	\$2,325.00



2. TRANSIT

<input type="checkbox"/>	190TO41		Transit Option (Rear frame extends 1" to accom. transit & not lose depth adj. range; N/A w/ 18" depth; N/A w/seat ht. below 15" W/ inset frame)	\$250.00
--------------------------	---------	--	---	----------

3. FRAME SETUP/ ANGLE

<input type="checkbox"/>	190FA8		80° Frame Angle	NC
--------------------------	--------	--	-----------------	----

Frame Inset Per Side (Footrest)

<input type="checkbox"/>	190FF1		0	NC
<input type="checkbox"/>	190FF2		1" (N/A 8"-9" frame width or with flared frame)	NC

4. ZIPPIE PACKAGE

<input type="checkbox"/>	190QE01		Z Performance Package	
			Single Sided Fork	\$125.00
			Ultra Lightweight Wheel	\$250.00
			Spoke Guards Clear Zippie	\$115.00
			Compact Wheel Lock	\$125.00
			Retail Value	\$615.00
			Package Price	\$310.00

5. FRAME COLOR



Standard Colors

<input type="checkbox"/>	190C140		Aztec Gold	NC
<input type="checkbox"/>	190C118		Bead Blast	NC
<input type="checkbox"/>	190C2		Black (Not avail as base w/Zebra)	NC
<input type="checkbox"/>	190C141		Black Cherry	NC
<input type="checkbox"/>	190C10		Black Opal	NC
<input type="checkbox"/>	190C38		Blue Opal	NC
<input type="checkbox"/>	190C36		Candy Blue	NC
<input type="checkbox"/>	190C14		Candy Purple	NC
<input type="checkbox"/>	190C35		Candy Red	NC
<input type="checkbox"/>	190C142		Electric Blue	NC
<input type="checkbox"/>	190C143		Evergreen	NC
<input type="checkbox"/>	190C126		Glow	NC
<input type="checkbox"/>	190C144		Green Apple	NC
<input type="checkbox"/>	190C147		Hot Sparkle Pink	NC
<input type="checkbox"/>	190C148		Mauve Pink	NC
<input type="checkbox"/>	190C103		Rootbeer	NC
<input type="checkbox"/>	190C114		Sparkle Silver	NC
<input type="checkbox"/>	190C145		Sunrise Orange	NC
<input type="checkbox"/>	190C113		Titanium Color Paint	NC
<input type="checkbox"/>	190C8		Yellow	NC

Standard Matte Colors

<input type="checkbox"/>	190C116		Matte Black	NC
<input type="checkbox"/>	190C151		Matte Black Cherry	NC
<input type="checkbox"/>	190C152		Matte Purple	NC
<input type="checkbox"/>	190C150		Matte Electric Blue	NC
<input type="checkbox"/>	190C149		Matte Evergreen	NC

Custom Colors

<input type="checkbox"/>	190C43		Mossy Oak Camouflage	\$295.00
<input type="checkbox"/>	190C42		Stars and Stripes	\$295.00
<input type="checkbox"/>	190C108		Zebra (Choose base color above: White Std, n/a)	\$295.00

Anodized Color Package

Forks, Backrest Bracket, Rear Axle Sleeve; If Frog Legs are chosen, forks will be black

<input type="checkbox"/>	190EB07		Black	NC
<input type="checkbox"/>	190EB08		Blue	\$150.00
<input type="checkbox"/>	190EB13		Gold	\$150.00
<input type="checkbox"/>	190EB09		Green	\$150.00
<input type="checkbox"/>	190EB11		Red	\$150.00
<input type="checkbox"/>	190EB12		Ti Grey	\$150.00

6. FRAME WIDTH

<input type="checkbox"/>	190W35	8" (N/A w/ 17"-18" depth)	NC	<input type="checkbox"/>	190W4	13"	NC
<input type="checkbox"/>	190W36	9" (N/A w/ 17"-18" depth)	NC	<input type="checkbox"/>	190W5	14"	NC
<input type="checkbox"/>	190W1	10" (N/A w/ 17"-18" depth)	NC	<input type="checkbox"/>	190W6	15"	NC
<input type="checkbox"/>	190W2	11" (N/A w/ 17"-18" depth)	NC	<input type="checkbox"/>	190W7	16"	NC
<input type="checkbox"/>	190W3	12"	NC				

7. SEAT DEPTH (FRAME DEPTH)

For additional caster/wheel clearance you can choose a different frame length and sling depth (i.e. shorter sling vs longer frame to allow more wheel/caster combos.)

<input type="checkbox"/>	190SD1	8" (Frame grows 9" - 11") (Only avail. With 18" rear wheels and 3" casters)	NC	<input type="checkbox"/>	190SD7	14" (Frame grows 15" - 17")	NC
<input type="checkbox"/>	190SD2	9" (Frame grows 10" - 12")	NC	<input type="checkbox"/>	190SD8	15" (Frame grows 16" - 18")	NC
<input type="checkbox"/>	190SD3	10" (Frame grows 11" - 13")	NC	<input type="checkbox"/>	190SD9	16" (Frame grows 17" - 18")	NC
<input type="checkbox"/>	190SD4	11" (Frame grows 12" - 14")	NC	<input type="checkbox"/>	190SD10	17" (Frame grows 18")	NC
<input type="checkbox"/>	190SD5	12" (Frame grows 13" - 15")	NC	<input type="checkbox"/>	190SD11	18" (No Depth Growth) (N/A with Transit)	NC
<input type="checkbox"/>	190SD6	13" (Frame grows 14" - 16")	NC				

8. SLING DEPTH

For additional caster/wheel clearance you can choose a different frame length and sling depth (i.e. shorter sling vs longer frame to allow more wheel/caster combos.)

<input type="checkbox"/>	190GJ1	8" (Sling Grows 9-10")	NC	<input type="checkbox"/>	190GJ6	13" (Sling Grows 14-15")	NC
<input type="checkbox"/>	190GJ2	9" (Sling Grows 10-11")	NC	<input type="checkbox"/>	190GJ7	14" (Sling Grows 15-16")	NC
<input type="checkbox"/>	190GJ3	10" (Sling Grows 11-12")	NC	<input type="checkbox"/>	190GJ8	15" (Sling Grows 16-17")	NC
<input type="checkbox"/>	190GJ4	11" (Sling Grows 12-13")	NC	<input type="checkbox"/>	190GJ9	16" (Sling Grows 17-18")	NC
<input type="checkbox"/>	190GJ5	12" (Sling Grows 13-14")	NC	<input type="checkbox"/>	190GJ10	17" (Sling Grows 18")	NC
				<input type="checkbox"/>	190GJ11	18" (No Growth)	NC

9. SEATING

Seating Systems

<input type="checkbox"/>	190OP05	Ultra Seat Sling (Tension Adjustable)	NC
<input type="checkbox"/>	190OP04	Omit Seat Sling(Default when choose w/out seating)	NC
<input type="checkbox"/>	190CU30	K0669 1" Cushion (See matrix for availability)	\$95.00
<input type="checkbox"/>	190CU1	K0669 2" Cushion (12" wide and up only)	\$95.00

JAY Cushions (Optional)

To order any JAY cushions on-chair, please see the JAY price list.

Cushion name or part number must be filled out with desired width and depth

<input type="checkbox"/>	190JC20	JAY Bundled Cushion Cushion Name or Part #	Price List
		Width: _____ Depth: _____	

		Width											
		8	9	10	11	12	13	14	15	16	8	9	
Sling Depth	8												
	9												
	10												
	11												
	12												
	13												
	14												
	15												
	16												
17													
18													
		8	9	10	11	12	13	14	15	16			
		Width											

1" Cushion available at these sizes
 1" Cushion NOT available at these sizes

10. BACKREST

Backrest Type

<input type="checkbox"/>	190BT96	Folding Angle Adj. w/ Double Lock Down	NC
--------------------------	---------	--	----

Backrest Upholstery

Must complete Section A on next page

<input type="checkbox"/>	190BU1	Standard Upholstery (N/A with Fold Down Push Handles)	NC
<input type="checkbox"/>	190BU72	Omit Std Upholstery (N/A with Fold Down Push Handles)(Default when choose w/out seating)	NC

Must complete Section B on next page

<input type="checkbox"/>	190BU70	E2611 Tension Adj. Ballistic Nylon 186BU70 (N/A with 8"-9" widths)	\$315.00
<input type="checkbox"/>	190BU73	Omit Tens. Adj. Ballistic Nylon	NC

Jay Backs (Optional)

To order any JAYbacks on-chair, please See the JAY Price Lst. Requires Part #

<input type="checkbox"/>	190JB02	JAY Bundled Backrest Backrest Name or Part #	Price List
		Width: _____ Height: _____	

Backrest Handle Option (Stroller Handle)

8"-10" widths have a single stroller handle; omit push handle recommended

<input type="checkbox"/>	190A192	Telescoping Push Handles (19" from Seat)	\$215.00
<input type="checkbox"/>	190A195	Telescoping Push Handles - Tall (25" from seat to push handle)	\$215.00

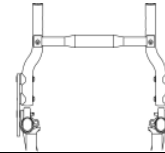
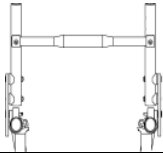
Receiver places handle outside std. 2" extension and inside 4" ext

Backrest Extension

Standard Extension 2"

<input type="checkbox"/>	190OD20	Rear Backrest Extension Brackets (4" overall)	\$95.00
--------------------------	---------	---	---------

SECTION A - Standard Upholstery



1A: OMIT PUSH HANDLE OPTIONS W/ STANDARD UPHOLSTERY OR WHEN OMITTING UHOLSTERY

<input type="checkbox"/>	190PH2	Omit Push Handles	NC
Choose 0 or 1" Inset and Back Height			
<input type="checkbox"/>	190OD7	0 inset (straight back tubes)	NC
<input type="checkbox"/>	Setting	6" - 8" Back Height <input type="checkbox"/> 6 <input type="checkbox"/> 7 <input type="checkbox"/> 8	NC
<input type="checkbox"/>	Setting	9" - 13" Back Height <input type="checkbox"/> 9 <input type="checkbox"/> 10 <input type="checkbox"/> 11 <input type="checkbox"/> 12 <input type="checkbox"/> 13	NC
<input type="checkbox"/>	Setting	13" - 17" Back Height <input type="checkbox"/> 13 <input type="checkbox"/> 14 <input type="checkbox"/> 15 <input type="checkbox"/> 16 <input type="checkbox"/> 17	NC
<input type="checkbox"/>	Setting	15" - 18" Back Height <input type="checkbox"/> 15 <input type="checkbox"/> 16 <input type="checkbox"/> 17 <input type="checkbox"/> 18	NC
<input type="checkbox"/>	190OD5	1" inset (N/A 8"-9" widths)	\$80.00
<input type="checkbox"/>	Setting	11" - 13" Back Height <input type="checkbox"/> 11 <input type="checkbox"/> 12 <input type="checkbox"/> 13	NC
<input type="checkbox"/>	Setting	14" - 16" Back Height <input type="checkbox"/> 14 <input type="checkbox"/> 15 <input type="checkbox"/> 16	NC
<input type="checkbox"/>	Setting	16" - 18" Back Height <input type="checkbox"/> 16 <input type="checkbox"/> 17 <input type="checkbox"/> 18	NC

2A: INTEGRAL PUSH HANDLE OPTIONS W/ STANDARD UPH.

<input type="checkbox"/>	190PH6	Integral Push Handles	NC
Choose 0 or 1" Inset and Back Height			
<input type="checkbox"/>	190OD7	0 inset (straight back tubes)	NC
<input type="checkbox"/>	Setting	9"-10" Back Height <input type="checkbox"/> 9 <input type="checkbox"/> 10	NC
<input type="checkbox"/>	Setting	11" - 15" Back Height <input type="checkbox"/> 11 <input type="checkbox"/> 12 <input type="checkbox"/> 13 <input type="checkbox"/> 14 <input type="checkbox"/> 15	NC
<input type="checkbox"/>	Setting	13" - 16" Back Height <input type="checkbox"/> 13 <input type="checkbox"/> 14 <input type="checkbox"/> 15 <input type="checkbox"/> 16	NC
<input type="checkbox"/>	Setting	15" - 18" Back Height <input type="checkbox"/> 15 <input type="checkbox"/> 16 <input type="checkbox"/> 17 <input type="checkbox"/> 18	NC
<input type="checkbox"/>	190OD5	1" inset (N/A 8"-9" widths)	\$80.00
<input type="checkbox"/>	Setting	12" - 14" Back Height <input type="checkbox"/> 12 <input type="checkbox"/> 13 <input type="checkbox"/> 14	NC
<input type="checkbox"/>	Setting	14" - 16" Back Height <input type="checkbox"/> 14 <input type="checkbox"/> 15 <input type="checkbox"/> 16	NC
<input type="checkbox"/>	Setting	16" - 18" Back Height <input type="checkbox"/> 16 <input type="checkbox"/> 17 <input type="checkbox"/> 18	NC

SECTION B - Tension Adjustable Ballistic Nylon

1B: OMIT PUSH HANDLE OPTIONS W/ TENSION ADJ.

<input type="checkbox"/>	190PH2	Omit Push Handles	NC
Choose 0 or 1" Inset and Back Height			
<input type="checkbox"/>	190OD7	0 inset (straight back tubes)	NC
<input type="checkbox"/>	Setting	11" - 14" Back Height <input type="checkbox"/> 11 <input type="checkbox"/> 12 <input type="checkbox"/> 13 <input type="checkbox"/> 14	NC
<input type="checkbox"/>	Setting	13" - 15" Back Height <input type="checkbox"/> 13 <input type="checkbox"/> 14 <input type="checkbox"/> 15	NC
<input type="checkbox"/>	Setting	15" - 18" Back Height <input type="checkbox"/> 15 <input type="checkbox"/> 16 <input type="checkbox"/> 17 <input type="checkbox"/> 18	NC
<input type="checkbox"/>	190OD5	1" inset (N/A 8"-11" widths)	\$80.00
<input type="checkbox"/>	Setting	11" - 13" Back Height <input type="checkbox"/> 11 <input type="checkbox"/> 12 <input type="checkbox"/> 13	NC
<input type="checkbox"/>	Setting	14" - 16" Back Height <input type="checkbox"/> 14 <input type="checkbox"/> 15 <input type="checkbox"/> 16	NC
<input type="checkbox"/>	Setting	16" - 18" Back Height <input type="checkbox"/> 16 <input type="checkbox"/> 17 <input type="checkbox"/> 18	NC

2B: INTEGRAL PUSH HANDLE OPTIONS W/ TENSION ADJ.

<input type="checkbox"/>		Integral Push Handles	NC
Choose 0 or 1" Inset and Back Height			
<input type="checkbox"/>	190OD7	0 inset (straight back tubes)	NC
<input type="checkbox"/>	Setting	9"-10" Back Height <input type="checkbox"/> 9 <input type="checkbox"/> 10	NC
<input type="checkbox"/>	Setting	11" - 14" Back Height <input type="checkbox"/> 11 <input type="checkbox"/> 12 <input type="checkbox"/> 13 <input type="checkbox"/> 14	NC
<input type="checkbox"/>	Setting	13" - 16" Back Height <input type="checkbox"/> 13 <input type="checkbox"/> 14 <input type="checkbox"/> 15 <input type="checkbox"/> 16	NC
<input type="checkbox"/>	Setting	15" - 18" Back Height <input type="checkbox"/> 15 <input type="checkbox"/> 16 <input type="checkbox"/> 17 <input type="checkbox"/> 18	NC
<input type="checkbox"/>	190OD5	1" inset (N/A 8"-11" widths)	\$80.00
<input type="checkbox"/>	Setting	12" - 14" Back Height <input type="checkbox"/> 12 <input type="checkbox"/> 13 <input type="checkbox"/> 14	NC
<input type="checkbox"/>	Setting	14" - 16" Back Height <input type="checkbox"/> 14 <input type="checkbox"/> 15 <input type="checkbox"/> 16	NC
<input type="checkbox"/>	Setting	16" - 18" Back Height <input type="checkbox"/> 16 <input type="checkbox"/> 17 <input type="checkbox"/> 18	NC

3B: FOLD DOWN PUSH HANDLE OPTIONS W/ TENSION ADJ.

<input type="checkbox"/>	190PH5	Fold Down Push Handles	\$100.00
Choose 0 or 1" Inset and Back Height			
<input type="checkbox"/>	190OD7	0 inset (straight back tubes)	NC
<input type="checkbox"/>	Setting	11"-12" Back Height <input type="checkbox"/> 11 <input type="checkbox"/> 12	NC
<input type="checkbox"/>	Setting	13" - 16" Back Height <input type="checkbox"/> 13 <input type="checkbox"/> 14 <input type="checkbox"/> 15 <input type="checkbox"/> 16	NC
<input type="checkbox"/>	Setting	15" - 18" Back Height <input type="checkbox"/> 15 <input type="checkbox"/> 16 <input type="checkbox"/> 17 <input type="checkbox"/> 18	NC
<input type="checkbox"/>	190OD5	1" inset (N/A 8"-11" widths)	\$80.00
<input type="checkbox"/>	Setting	15" - 17" Back Height <input type="checkbox"/> 15 <input type="checkbox"/> 16 <input type="checkbox"/> 17	NC
<input type="checkbox"/>	Setting	17" - 18" Back Height <input type="checkbox"/> 17 <input type="checkbox"/> 18	NC

11. ARMRESTS

UPDATED

Armrest - Padded Swing Away

UPDATED

With Transit, Lose 1" Seat Depth Growth

<input type="checkbox"/>	190AA23	E0973	Padded Swing Away - Low	\$195.00
	<input type="checkbox"/>	Setting	<input type="checkbox"/> 5" <input type="checkbox"/> 6" <input type="checkbox"/> 7" <input type="checkbox"/> 8" <input type="checkbox"/> 9"	
<input type="checkbox"/>	190AA18	E0973	Padded Swing Away - Std.	\$195.00
	<input type="checkbox"/>	Setting	<input type="checkbox"/> 9" <input type="checkbox"/> 10" <input type="checkbox"/> 11" <input type="checkbox"/> 12" <input type="checkbox"/> 13" <input type="checkbox"/> 14"	

With Transit, Lose 1" Seat Depth Growth, below option adds 3" in Length

<input type="checkbox"/>	190AA127	E0973	Padded Swing Away+ 3" -Low	\$195.00
	<input type="checkbox"/>	Setting	<input type="checkbox"/> 5" <input type="checkbox"/> 6" <input type="checkbox"/> 7" <input type="checkbox"/> 8" <input type="checkbox"/> 9"	
<input type="checkbox"/>	190AA128	E0973	Padded Swing Away+3" - Std.	\$195.00
	<input type="checkbox"/>	Setting	<input type="checkbox"/> 9" <input type="checkbox"/> 10" <input type="checkbox"/> 11" <input type="checkbox"/> 12" <input type="checkbox"/> 13" <input type="checkbox"/> 14"	

Armrest - T-Post Foam (see armrest matrex below)

<input type="checkbox"/>	190AA129	E0973	T-Post Foam Xtall	\$175.00
<input type="checkbox"/>	190AA130	E0973	T-Post Foam 2XTall	\$175.00

Armrest - Height Adjustable (see armrest matrex below)

Comes with std. armrest receiver only - N/A with 8"-9" depths

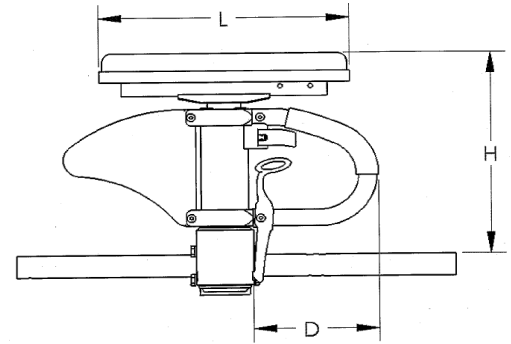
<input type="checkbox"/>	190AA11	E0973	Single-Post Height Adj. Std. (N/A with 8"-11" depths)	\$265.00
<input type="checkbox"/>	190AM23		Desk Classic	NC
<input type="checkbox"/>	190AM21		Desk Contour	NC
<input type="checkbox"/>	190AM24		Full Classic	NC
<input type="checkbox"/>	190AM22		Full Contour	NC
<input type="checkbox"/>	190AA29	E0973	Single-Post Height Adj. Low. (N/A with 8"-9" depths)	\$265.00
<input type="checkbox"/>	190AM23		Desk Classic	NC
<input type="checkbox"/>	190AM21		Desk Contour	NC
<input type="checkbox"/>	190AM24		Full Classic	NC
<input type="checkbox"/>	190AM22		Full Contour	NC

Armrest Matrix for Single Post and T-Post

Armrest Size	Transfer Tube Length D	CLASSIC PAD		
		H Range	Pad Length L	
			Desk	Full
STD	8"	8" to 13"	10 1/4"	14"
LOW	5 1/4"	6.5" to 10.5"		

Armrest Size	Transfer Tube Length D	CONTOUR PAD		
		H Range	Pad Length L	
			Desk	Full
STD	8"	7.5" to 12.5"	10 1/2"	14 1/4"
LOW	5 1/4"	6" to 10"		

Armrest - T-Post Foam		
Armrest Size	H Range	Pad Length L
X Tall	6" to 7"	7 1/2"
2X Tall	7" to 8"	7 1/2"



12. FOOTRESTS

Footrest				
<input type="checkbox"/>	190F228		Aluminum Tubular	NC
<input type="checkbox"/>	190F273		Aluminum Tubular w/ Snap On Cover	\$30.00
<input type="checkbox"/>	190F50	K0040	Aluminum Platform (8" width is only available with high mount option)	\$95.00
<input type="checkbox"/>	190F276	K0040	Angle Adj. Flip Back (N/A with 6" caster with an 8" width)	\$185.00

Adaptive Platform Spacers				
Only available with Aluminum Platform Footrest				
<input type="checkbox"/>	190AD1		Adaptive Platform 2" Spacer	\$95.00
<input type="checkbox"/>	190AD2		Adaptive Platform 4" Spacer	\$95.00
<input type="checkbox"/>	190AD3		Adaptive Platform 6" Spacer	\$95.00

Footrest Options (see matrix below)				
<input type="checkbox"/>	190DI08	K0037	High Mount Ext Tubes (N/A w/ tubular footrest; N/A w/ 16" wide flared frame) **	\$55.00
<input type="checkbox"/>	190DI03	K0038	Leg Strap	\$35.00
<input type="checkbox"/>	190DI04	K0038	Extra Leg Strap	\$35.00
<input type="checkbox"/>	190DI05		Gel Hanger Cover	\$105.00
<input type="checkbox"/>	190DI07		Neoprene Impact Guards	\$85.00
<input type="checkbox"/>	190DI02		Wear Pads	\$50.00

FSH	Caster	*Minimum	*Maximum
14.5	3	10.37"	11.37"
14.5	4	9.37"	10.87"
15.0	3	11.37"	12.37"
15.0	4	10.37"	11.87"
15.0	5	9.37"	11.37"
15.5	3	11.37"	12.37"
15.5	4	10.37"	11.87"
15.5	5	10.37"	12.37"
15.5	6	9.37"	11.87"
16.0	3	12.37"	13.37"
16.0	4	12.37"	13.87"
16.0	5	10.37"	12.37"
16.0	6	10.37"	12.87"
16.5	3	12.37"	13.37"
16.5	4	11.37"	12.87"
16.5	5	10.37"	12.37"
16.5	6	10.37"	12.87"
17.0	3	13.37"	14.37"
17.0	4	12.37"	13.87"
17.0	5	11.37"	13.37"
17.0	6	11.37"	13.87"
17.5	3	13.37"	14.37"
17.5	4	12.37"	13.87"
17.5	5	11.37"	13.37"
17.5	6	11.37"	13.87"
18.0	3	14.37"	15.37"
18.0	4	13.37"	14.87"
18.0	5	12.37"	14.37"
18.0	6	11.37"	13.87"
18.5	3	14.37"	15.37"
18.5	4	14.37"	15.87"
18.5	5	12.37"	14.37"
18.5	6	12.37"	14.87"
19.0	3	14.37"	15.37"
19.0	4	14.37"	15.87"
19.0	5	12.37"	14.37"
19.0	6	12.37"	14.87"

Not Available with 1" Inset

Front Seat Height Matrix

Rear Wheel Size	Front Caster				
	<input type="checkbox"/> 3	<input type="checkbox"/> 4	<input type="checkbox"/> 5	<input type="checkbox"/> 6	
18"	<input type="checkbox"/> 14.0	<input type="checkbox"/> 14.0			
	<input type="checkbox"/> 14.5	<input type="checkbox"/> 14.5			
	<input type="checkbox"/> 15.0	<input type="checkbox"/> 15.0	<input type="checkbox"/> 15.0		
	<input type="checkbox"/> 15.5	<input type="checkbox"/> 15.5	<input type="checkbox"/> 15.5	<input type="checkbox"/> 15.5	
	<input type="checkbox"/> 16.0	<input type="checkbox"/> 16.0	<input type="checkbox"/> 16.0	<input type="checkbox"/> 16.0	
	<input type="checkbox"/> 16.5	<input type="checkbox"/> 16.5	<input type="checkbox"/> 16.5	<input type="checkbox"/> 16.5	
	<input type="checkbox"/> 17.0	<input type="checkbox"/> 17.0	<input type="checkbox"/> 17.0	<input type="checkbox"/> 17.0	
	<input type="checkbox"/> 17.5	<input type="checkbox"/> 17.5	<input type="checkbox"/> 17.5	<input type="checkbox"/> 17.5	
	<input type="checkbox"/> 18.0	<input type="checkbox"/> 18.0	<input type="checkbox"/> 18.0	<input type="checkbox"/> 18.0	
	<input type="checkbox"/> 18.5	<input type="checkbox"/> 18.5	<input type="checkbox"/> 18.5	<input type="checkbox"/> 18.5	
20"	<input type="checkbox"/> 14.0	<input type="checkbox"/> 14.0			
	<input type="checkbox"/> 14.5	<input type="checkbox"/> 14.5			
	<input type="checkbox"/> 15.0	<input type="checkbox"/> 15.0	<input type="checkbox"/> 15.0		
	<input type="checkbox"/> 15.5	<input type="checkbox"/> 15.5	<input type="checkbox"/> 15.5	<input type="checkbox"/> 15.5	
	<input type="checkbox"/> 16.0	<input type="checkbox"/> 16.0	<input type="checkbox"/> 16.0	<input type="checkbox"/> 16.0	
	<input type="checkbox"/> 16.5	<input type="checkbox"/> 16.5	<input type="checkbox"/> 16.5	<input type="checkbox"/> 16.5	
	<input type="checkbox"/> 17.0	<input type="checkbox"/> 17.0	<input type="checkbox"/> 17.0	<input type="checkbox"/> 17.0	
	<input type="checkbox"/> 17.5	<input type="checkbox"/> 17.5	<input type="checkbox"/> 17.5	<input type="checkbox"/> 17.5	
	<input type="checkbox"/> 18.0	<input type="checkbox"/> 18.0	<input type="checkbox"/> 18.0	<input type="checkbox"/> 18.0	
	<input type="checkbox"/> 18.5	<input type="checkbox"/> 18.5	<input type="checkbox"/> 18.5	<input type="checkbox"/> 18.5	
22"	<input type="checkbox"/> 15.5	<input type="checkbox"/> 15.5	<input type="checkbox"/> 15.5	<input type="checkbox"/> 15.5	
	<input type="checkbox"/> 16.0	<input type="checkbox"/> 16.0	<input type="checkbox"/> 16.0	<input type="checkbox"/> 16.0	
	<input type="checkbox"/> 16.5	<input type="checkbox"/> 16.5	<input type="checkbox"/> 16.5	<input type="checkbox"/> 16.5	
	<input type="checkbox"/> 17.0	<input type="checkbox"/> 17.0	<input type="checkbox"/> 17.0	<input type="checkbox"/> 17.0	
	<input type="checkbox"/> 17.5	<input type="checkbox"/> 17.5	<input type="checkbox"/> 17.5	<input type="checkbox"/> 17.5	
	<input type="checkbox"/> 18.0	<input type="checkbox"/> 18.0	<input type="checkbox"/> 18.0	<input type="checkbox"/> 18.0	
	<input type="checkbox"/> 18.5	<input type="checkbox"/> 18.5	<input type="checkbox"/> 18.5	<input type="checkbox"/> 18.5	
	<input type="checkbox"/> 19.0	<input type="checkbox"/> 19.0	<input type="checkbox"/> 19.0	<input type="checkbox"/> 19.0	
	24"	<input type="checkbox"/> 16.0	<input type="checkbox"/> 16.0	<input type="checkbox"/> 16.0	<input type="checkbox"/> 16.0
		<input type="checkbox"/> 16.5	<input type="checkbox"/> 16.5	<input type="checkbox"/> 16.5	<input type="checkbox"/> 16.5
<input type="checkbox"/> 17.0		<input type="checkbox"/> 17.0	<input type="checkbox"/> 17.0	<input type="checkbox"/> 17.0	
<input type="checkbox"/> 17.5		<input type="checkbox"/> 17.5	<input type="checkbox"/> 17.5	<input type="checkbox"/> 17.5	
<input type="checkbox"/> 18.0		<input type="checkbox"/> 18.0	<input type="checkbox"/> 18.0	<input type="checkbox"/> 18.0	
<input type="checkbox"/> 18.5		<input type="checkbox"/> 18.5	<input type="checkbox"/> 18.5	<input type="checkbox"/> 18.5	
<input type="checkbox"/> 19.0		<input type="checkbox"/> 19.0	<input type="checkbox"/> 19.0	<input type="checkbox"/> 19.0	

FRONT SEAT HEIGHTS ARE SHOWN IN THE BOXES ABOVE.
 DEPENDING ON CG SETTING, SEAT DEPTH, AND FRAME SIZE
 SOME OF THE ABOVE SIZES MAY NOT BE AVAILABLE

13. CASTERS

Caster Wheel

UPDATED

<input type="checkbox"/>	190CW1	3" Micro	NC
<input type="checkbox"/>	190CW3	4" Low Profile Polyurethane	NC
<input type="checkbox"/>	190CW31	4" Micro Light Up	\$70.00
<input type="checkbox"/>	190CW64	4" x 1.5" Aluminum Soft Roll	\$155.00
<input type="checkbox"/>	190CW5	5" Low Profile Polyurethane	NC
<input type="checkbox"/>	190CW51	5" Micro Light Up	\$85.00
<input type="checkbox"/>	190CW6	5" Soft Roll (Grey) (N/A with Frog Legs)	\$85.00

<input type="checkbox"/>	190CW7	5"x1.5" Semi Pneumatic	\$85.00
<input type="checkbox"/>	190CW66	5"x1.5" Aluminum Soft Roll	\$165.00
<input type="checkbox"/>	190CW34	6" Poly	NC
<input type="checkbox"/>	190CW35	6"x1.5" Semi Pneumatic	\$85.00

Caster Forks and Suspension

UPDATED

<input type="checkbox"/>	190CF65	Multiple Position	NC
<input type="checkbox"/>	190CF69	Multi Position Single Sided	\$125.00
<input type="checkbox"/>	190CF53	E1015 Frog Legs 0-100 lbs.	\$425.00
<input type="checkbox"/>	190CF70	E1015 Frog Legs 101 - 165 lbs.	\$425.00

14. AXLES AND WHEELS

Axle Plate

<input type="checkbox"/>	190AL61	Adjustable (COG Adjustable -.25"-2.25" 1/4" increments)	NC
--------------------------	---------	--	----

Center of Gravity Preset (dependant on wheels, casters & depth)

<input type="checkbox"/>	190CC21	-.25"	NC
<input type="checkbox"/>	190CC26	0 (Flush w/ backrest)	NC
<input type="checkbox"/>	190CC22	.25"	NC
<input type="checkbox"/>	190CC16	.5"	NC
<input type="checkbox"/>	190CC23	.75"	NC
<input type="checkbox"/>	190CC20	1"	NC
<input type="checkbox"/>	190CC24	1.25"	NC
<input type="checkbox"/>	190CC15	1.5"	NC
<input type="checkbox"/>	190CC25	1.75"	NC
<input type="checkbox"/>	190CC17	2"	NC
<input type="checkbox"/>	190CC27	2.25"	NC

Camber

<input type="checkbox"/>	190CI1	0°	NC
<input type="checkbox"/>	190CI2	3°	NC
<input type="checkbox"/>	190CI4	6° (N/A with Mag Wheel and Hub locks or Side guard Hub locks)	NC

Rear Seat Height (can not exceed 2.5" drop)

<input type="checkbox"/>	190RH11	13"	NC
<input type="checkbox"/>	190RH12	13.5"	NC
<input type="checkbox"/>	190RH13	14"	NC
<input type="checkbox"/>	190RH14	14.5"	NC
<input type="checkbox"/>	190RH15	15"	NC
<input type="checkbox"/>	190RH16	15.5"	NC
<input type="checkbox"/>	190RH17	16"	NC
<input type="checkbox"/>	190RH18	16.5"	NC
<input type="checkbox"/>	190RH19	17"	NC
<input type="checkbox"/>	190RH26	17.5"	NC
<input type="checkbox"/>	190RH20	18"	NC
<input type="checkbox"/>	190RH27	18.5"	NC
<input type="checkbox"/>	190RH21	19"	NC

Rear Seat Height Minimum

Rear Wheel	13.0	13.5	14.0	14.5	15.0	15.5	16.0	16.5	17.0	17.5	18.0	18.5	19.0
18													
20													
22													
24													

* With 22" & 24" rear wheels and KIK or HP Clinchers, you may get an additional 1/2" lower seat height in some scenarios.

Rear Wheels

<input type="checkbox"/>	190RW12	18" Spoke (N/A with Spinergy, Natural Fit Handrim or Hub Lock)	\$100.00
<input type="checkbox"/>	190RW3	20" Mag	NC
<input type="checkbox"/>	190RW8	22" Mag	NC
<input type="checkbox"/>	190RW1	24" Mag	NC
<input type="checkbox"/>	190RW74	20" Lite Spoke Wheel	NC
<input type="checkbox"/>	190RW75	22" Lite Spoke Wheel	NC
<input type="checkbox"/>	190RW76	24" Lite Spoke Wheel	NC
<input type="checkbox"/>	190RW06	22" Ultra lightweight Spoke Wheel 2.0	\$250.00
<input type="checkbox"/>	190RW10	24" Ultra Lightweight Spoke Wheel 2.0	\$250.00
<input type="checkbox"/>	190RW28	22" Spinergy SPOX Black Spokes	\$695.00
<input type="checkbox"/>	190RW95	24" Spinergy SPOX Black Spokes	\$695.00
<input type="checkbox"/>	190RW32	22" Spinergy LX Black Spokes	\$895.00
<input type="checkbox"/>	190RW98	24" Spinergy LX Black Spokes	\$895.00

Rear Wheel Tire

<input type="checkbox"/>	190RT3	E2218	Full Poly Tire	NC
<input type="checkbox"/>	190RT6	E2211 E2212	High Pressure Clincher	\$95.00
<input type="checkbox"/>	190RT22	E2218	Kik Mako Black	\$95.00
<input type="checkbox"/>	190RT27	E2211 E2212	Knobby V-TRAK by Kenda	\$95.00
<input type="checkbox"/>	190RT1	E2211 E2212	Pneumatic	NC
<input type="checkbox"/>	190RT2	E2211 E2213	Pneumatic Airless Insert	\$80.00
<input type="checkbox"/>	190RT21	E2211 E2212	Schwalbe Marathon Plus Evolution	\$125.00
<input type="checkbox"/>	190RT28	E2211 E2212	Schwalbe Speed	\$125.00
<input type="checkbox"/>	190RT4	E2218	Low Poly	NC

Rear Tire & Wheel Matrix

		Rear Tire & Wheel Matrix				
		Wheel		Ultra Light-Weight	Spinergy SPOX & LX	Spoke
Tire		Mag	Lite Spoke			
Pneumatic		20,22,24	20,22,24	N/A	22,24	18
Pneumatic Airless Insert		20,22,24	20,22,24	N/A	22,24	18
Full Poly Tire		20,22,24	20,22	N/A	N/A	N/A
Low Poly Tire		22,24	22,24	N/A	N/A	N/A
High-Pressure Clincher		N/A	22,24	22,24	22,24	N/A
Knobby V-TRAK		N/A	24	N/A	24	N/A
Schwalbe Marathon Plus		N/A	24	22,24	22,24	N/A
Kik® Mako Black		24	24	N/A	24	N/A
Schwalbe Speed		N/A	24	24	22,24	N/A

22" = 489 24" = 540

14. AXLES AND WHEELS (Cont.)

NEW!

22" Rear Wheels w/ 5" Casters & 3 or 6 Degrees of Camber 0" Frame Inset.

Not available in 12" or less seat depths

- 13" Seat Depth
 - Must have front seat to floor height at least 17" in the front and 15 1/2" in the rear.
 - You can increase STFs but must keep 1 1/2" dump.
 - If you change camber to 0 degrees you can get away with 1" dump
 - You must choose COG setting of -.25".
- 14" Seat Depth
 - Able to get away with 1" seat dump with a minimum of 15 1/2" in the Rear and 16 1/2" in Front.
 - Can have COG set as far forward as +.25".
- 15" Seat Depth
 - Able to get away with 1" seat dump with min of 15" Rear STF and 16" Front STF
 - COG can be adjusted as far forward as 1".

22" Rear Wheels w/ 4" Casters, 3 or 6 Degrees of Camber, and 0" Frame Inset.

Not available in 8" or 9" seat depths.

- 10" Seat Depth
 - Must have at least a 15" Rear STF and 16" Front STF.
 - COG setting must be -.25".
 - If you increase Rear STF to 15 1/2" and 16 1/2" Front STF you can move COG to 0".
 - If you increase the dump to 1 1/2" (15 R-STF and 16 1/2" F-STF) or change Camber to 0 degree you can increase COG to .25".
- 11" Seat Depth
 - Same as 10" Seat Depth, just allows you to have COG setting a .25"
- 12" Seat Depth
 - Must have at least 15" Rear STF and 15 1/2" Front STF.
 - COG setting can be as far forward as .5".
 - If you increase the dump to 1" instead of 1/2" you can increase COG as far forward as 1".

24" Rear Wheels w/ 4" Casters, 3 or 6 Degrees Camber, and 0" Frame Inset.

Not available in 10" seat depths or less.

- 11" Seat Depth
 - Must have at least a 16" Rear STF and 17" Front STF.
 - COG setting can be 0" or -.25".
- 12" Seat Depth
 - Must have at least 16" Rear STF and 17" Front STF.
 - COG setting can be as far forward as 1". (Camber must be 3 degrees)
 - If camber is 6 degrees than COG can only be as far forward as .75"

Handrim

UPDATED

<input type="checkbox"/>	190HR1	Aluminum Anodized	NC
<input type="checkbox"/>	190HR4	Plastic Coated (N/A on Ultra)	\$95.00
<input type="checkbox"/>	190HR22	Natural Fit -Standard Grip (N/A on Ultra Lite or 20" Lite Spoke)	\$375.00
<input type="checkbox"/>	190HR23	Natural Fit - Super Grip (N/A on Ultra Lite or 20" Lite Spoke)	\$410.00
<input type="checkbox"/>	190HR30	Natural Fit LT - Standard Grip (N/A on Ultra Lite or 20" Lite Spoke)	\$375.00
<input type="checkbox"/>	190HR31	Natural Fit LT - Super Grip (N/A on Ultra Lite or 20" Lite Spoke)	\$410.00
<input type="checkbox"/>	190HR24	Spinergy Flex Rim (Only on 24" Spinergy LX)	\$525.00
<input type="checkbox"/>	190HR7	Omit Handrim (Only on Mag, 24 Spinergy)	NC

Axle

<input type="checkbox"/>	190AX1	Quick Release Steel	NC
--------------------------	--------	---------------------	----

Hub Lock

Only available with Lite Spokes; N/A with 6° camber

<input type="checkbox"/>	190LK03	Seat Frame Mount	\$100.00
		(Side Guard - See Below)	

Side Guard (N/A with Ht. Adj. Armrest or T-Post)

<input type="checkbox"/>	190SG33	Plastic Standard (N/A 8"-9" depth; N/A w/ low padded swing aways.)	\$125.00
<input type="checkbox"/>	190SG29	Plastic Low (N/A 8"-9" depth; N/A w/ padded swing aways low setting 5&6)	\$125.00
<input type="checkbox"/>	190SG7	Aluminum Folding	\$185.00
<input type="checkbox"/>	190SG37	Aluminum w/ Fender & Hub Lock (Pull to lock - single hand R-side mount) (N/A with seat frame mount hub lock)	\$275.00
<input type="checkbox"/>	190SG38	Aluminum w/ Fender & Hub Lock (Pull to lock - single hand L-side mount) (N/A with seat frame mount hub lock)	\$275.00

Aluminum Side Guard Color Option

Only available with Aluminum Side Guard

<input type="checkbox"/>	190GE01	Black	NC
<input type="checkbox"/>	190GE02	Matching Frame - Std. Colors	NC
<input type="checkbox"/>	190GE03	Matching Frame - Custom Color	\$50.00

Anti-Tip

<input type="checkbox"/>	190AT1	E0971	Rear Anti-Tips	\$135.00
--------------------------	--------	-------	----------------	----------

Wheel Lock

<input type="checkbox"/>	190WL1		High Mount Push	NC
<input type="checkbox"/>	190WL2		High Mount Pull	NC
<input type="checkbox"/>	190WL30		Compact	\$125.00
<input type="checkbox"/>	190WL10		Omit Wheel Lock	NC

Extension Handle

<input type="checkbox"/>	190EH1	E0961	6" Pair	\$75.00
--------------------------	--------	-------	---------	---------

16. ACCESSORIES

Back Pack (Kids Backpack included)

<input type="checkbox"/>	190A1		Utility Backpack - Black	\$55.00
<input type="checkbox"/>	190A2		Additional Kids Black Backpack	\$50.00
<input type="checkbox"/>	190A8		Black Seat Pouch	\$45.00

Miscellaneous

<input type="checkbox"/>	190A203	E2207	Crutch Holder	\$195.00
<input type="checkbox"/>	190A83		Tool Kit	\$45.00

Positioning Belt (w/clamps)

<input type="checkbox"/>	190A112	E0978	1" Dual Pull Side Squeeze Padded	\$85.00
<input type="checkbox"/>	190A117	E0978	Belt 2" Aircraft Buckle	\$110.00
<input type="checkbox"/>	190A118	E0978	Belt 2" Aircraft Buckle Padded	\$120.00
<input type="checkbox"/>	190A141	E0978	Belt 1.5" Auto Buckle w/Clamps	\$70.00
<input type="checkbox"/>	190A814	E0978	1" Comfort Fit APB5116	\$120.00
<input type="checkbox"/>	190A120	K0108	Positioning Belt Side Clamp	\$50.00

Spoke Guard

<input type="checkbox"/>	190A23	K0065	Black	\$115.00
<input type="checkbox"/>	190A303	K0065	Spoke Guards Clear Zippie (N/A with Spinerly)	\$115.00

Upper Extremity Support Tray

<input type="checkbox"/>	190A29	E0950	X-Sm (Suggested 10"-12" Width)	\$250.00
<input type="checkbox"/>	190A30	E0950	Sm (Suggested 13"-14" Width)	\$250.00
<input type="checkbox"/>	190A31	E0950	Med (Suggested 15"-17" Width)	\$250.00
<input type="checkbox"/>	190A32	E0950	Lrg (Suggested 18"-20" Width)	\$250.00

BUILT 4 ME

To inquire about any unique customization for Zippie products, contact:
Phone: (800) 333-4000, Fax: (800) 333-9011

