

TiLite SX X Order Form

Effective January 1, 2012 (New Items in Red)

TITANIUM FOLDING FRAME

Page 1 of 8

DEALER INFORMATION		RTS INFORMATION	
Dealer:		RTS:	Phone:
Account:	PO:	Email:	
Ordered By:		SHIP TO INFORMATION	
Address:		Name:	Ship Via:
City:	State:	Zip:	
Phone:	Fax:	City:	State: Zip:
Email:		Phone:	Fax:
Mark For:		TiLite Information	Promo Code:
		Ship Date:	Order #:

Please Fax to the TiLite Customer Service Team at 866.586.2413 or 509.586.2413



TiLite SX shown with available options.

TiLite X shown with available options.

FRAME STYLE

TiLite SX and X (250 Pound Weight Limit.)

XFS1 SX Swing Away\$3,295

XFS2 X Fixed Front\$3,295

XPWR1 Power Adaptable Frame (No charge when 20" Rear Seat Width **A** and 20" Seat Depth **B** are selected. Requires Billet

Aluminum Front Wheels and 0° Camber **C**. Not available with Titanium Quick Release Axles.).....\$300

XRFR1 Reinforced Frame (No charge when 20" Rear Seat Width **A** and 20" Seat Depth **B** are selected.).....\$300

FRAME FINISHES

Natural Titanium

XFF1 SatinSTD

XSCBT1 Satin Finish Buffing Pads.....\$15

XFF2 Polished\$650

XFF3 Tattooed Titanium™ (Tattoos on front frame tubes. Frame finished in Satin. Click on the images below to view the Tattoos online.).....\$295

XFF4 Rock & Roll



XFF6 Mother Nature



XFF5 Retro



XFF7 Henna



THE ULTIMATE RIDE.®

tilite.com
2701 West Court Street | Pasco, Washington 99301
509.586.6117 Tel | 800.545.2266 Toll-Free
509.586.2413 Fax | 866.586.2413 Toll-Free Fax

THE TITANIUM EXPERTS.®

TiLite® OF_XSX_0112RevY

FRAME FINISHES

High Gloss Paint

XFF8 Super Wet Black
 XFF11 Military Green

XFF9 Sunburst Yellow

XFF10 TiLite Red

Metallic Paint

XFF14 Ocean Blue Metallic

XFF12 Orange Crush

XFF13 Hot Pink

Pearlescent Paint

XFF17 Midnight Blue Pearl

XFF15 Tangerine Metallic

XFF16 Salsa Red Metallic

Matte Paint

XFF19 Black Lava

XFF18 White Pearl

XFF21 Scarlet Ice

Candy Paint

XFF27 Titanium Grey

XFF20 Deep Blue Ice

XFF22 Ruby Red

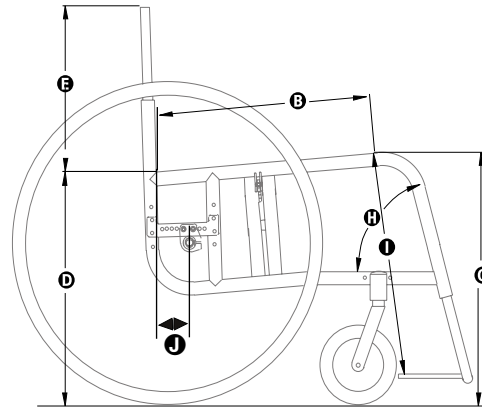
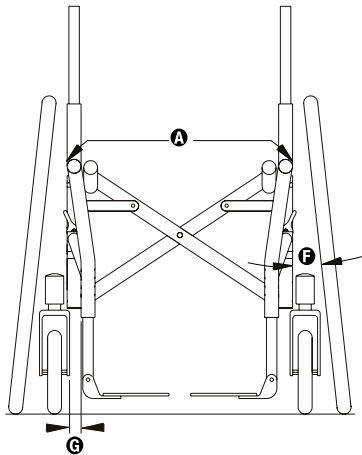
XFF23 Azure Blue

XFF24 Root Beer Candy

XFF25 Electric Plum

XFF26 Atomic GreenSTD

FRAME MEASUREMENTS



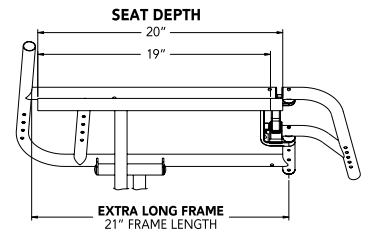
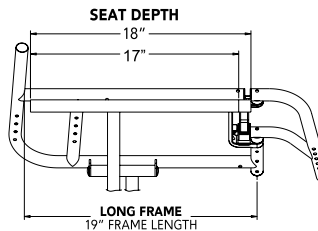
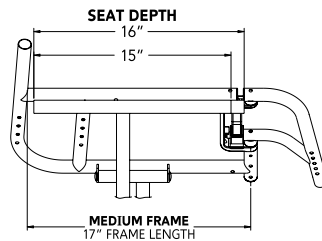
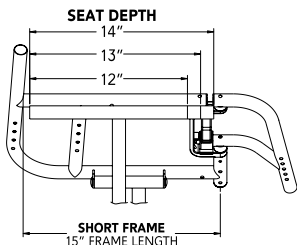
SEAT WIDTH A Measure from outside of seat tube at back post to the outside of the opposite seat tube at back post.

- XSW1 12" 13" 14" 15" 16" 17" 18" 19".....STD
- XSW2 20".....\$450 E2201

SEAT DEPTH B Measure from 1/2" in front of back post to the front edge of seat sling.

TILITE SX SWING AWAY SEAT DEPTH B /FRAME LENGTH CHART (Select one Frame Length and one Seat Depth.)

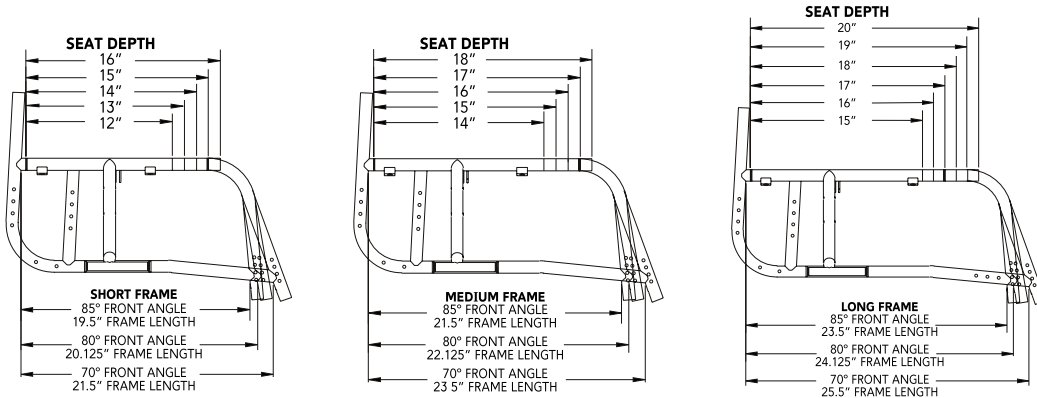
Frame Length	Seat Depth	
XSD7 <input type="checkbox"/> Short	<input type="checkbox"/> 12" <input type="checkbox"/> 13" <input type="checkbox"/> 14" (25" and 26" Rear Wheels not available with Short Frame Length.).....	STD
XSD8 <input type="checkbox"/> Medium	<input type="checkbox"/> 15" <input type="checkbox"/> 16".....	STD
XSD10 <input type="checkbox"/> Long	<input type="checkbox"/> 17" <input type="checkbox"/> 18".....	STD
XSD12 <input type="checkbox"/> Extra Long	<input type="checkbox"/> 19".....	STD
XSD14 <input type="checkbox"/> Extra Long	<input type="checkbox"/> 20".....	\$475 E2203



TILITE X FIXED FRONT SEAT DEPTH B /FRAME LENGTH CHART (Select one Frame Length and one Seat Depth.)

Frame Length	Seat Depth	
XSD15 <input type="checkbox"/> Short	<input type="checkbox"/> 12" <input type="checkbox"/> 13" <input type="checkbox"/> 14" <input type="checkbox"/> 15" <input type="checkbox"/> 16" (25" and 26" Rear Wheels not available with Short Frame Length.).....	STD
XSD18 <input type="checkbox"/> Medium	<input type="checkbox"/> 14" <input type="checkbox"/> 15" <input type="checkbox"/> 16" <input type="checkbox"/> 17" <input type="checkbox"/> 18" (25" and 26" Rear Wheels not available with 14" Seat Depth B.).....	STD
XSD20 <input type="checkbox"/> Long	<input type="checkbox"/> 15" <input type="checkbox"/> 16" <input type="checkbox"/> 17" <input type="checkbox"/> 18" <input type="checkbox"/> 19".....	STD
XSD22 <input type="checkbox"/> Long	<input type="checkbox"/> 20".....	\$475 E2203

FRAME MEASUREMENTS



FRONT SEAT HEIGHT ☉ Measure from floor to top of seat tube at beginning of bend. Adjustable in 1/2" increments.

FRONT SEAT HEIGHT RANGES

Front Caster Size	Front Seat Heights ☉
3" Front Caster	14.5" - 18.0"
3" Front Caster w/Frog Legs®	16.0" - 17.5"
4" Front Caster	15.0" - 18.5"
4" Front Caster w/Frog Legs®	16.5" - 18.0"
5" Front Caster	17.0" - 19.0"
5" Front Caster w/Frog Legs®	17.5" - 18.5"
6" Front Caster	17.5" - 19.5"
6" Front Caster w/Frog Legs®	18.5" - 19.5"
8" Front Caster	19.5" - 20.5"

XFSH1	<input type="checkbox"/> 14.5"	<input type="checkbox"/> 15"	<input type="checkbox"/> 15.5"
	<input type="checkbox"/> 16"	<input type="checkbox"/> 16.5"	<input type="checkbox"/> 17"
	<input type="checkbox"/> 17.5"	<input type="checkbox"/> 18"	<input type="checkbox"/> 18.5"
	<input type="checkbox"/> 19"	<input type="checkbox"/> 19.5"	<input type="checkbox"/> 20"
	<input type="checkbox"/> 20.5"STD	

REAR SEAT HEIGHT ☉ Measure from floor to top of seat tube at back post. Adjustable in 1/2" increments.

REAR SEAT HEIGHT RANGES

Rear Wheel Size	Rear Seat Height
22"	13.0" - 18.0"
24"	13.5" - 19.0"
25"	13.5" - 19.0"
26"	14.5" - 20.0"

XRSH1	<input type="checkbox"/> 13"	<input type="checkbox"/> 13.5"	<input type="checkbox"/> 14"
	<input type="checkbox"/> 14.5"	<input type="checkbox"/> 15"	<input type="checkbox"/> 15.5"
	<input type="checkbox"/> 16"	<input type="checkbox"/> 16.5"	<input type="checkbox"/> 17"
	<input type="checkbox"/> 17.5"	<input type="checkbox"/> 18"	<input type="checkbox"/> 18.5"
	<input type="checkbox"/> 19"	<input type="checkbox"/> 19.5"	<input type="checkbox"/> 20".....STD

SEAT BACK HEIGHT ☉/SEAT BACKS/PUSH HANDLES Measure from top of back post to top of seat tube at rear of frame.

SEAT BACK TYPE

- XSB1 Adjustable Height Seat Back.....STD
- XLB1 Folding Stabilizer Bar (Not Available with Ride Designs® Corbac™ Back Support. or Swing-Away Tubular Armrests.).....\$340
- XSB10 Adjustable Height Seat Back w/8-Degree Bend.....NCO

PUSH HANDLES

- XSB6 Integrated Push Handles.....NCO
- XSB7 Integrated Fold-Down Push Handles (Requires Tension Adjustable by Straps Back Upholstery.).....\$100
- XSB17 Stroller Handles.....\$275

SEAT BACK HEIGHT ☉ Medium Tall Set at: (Use 1/2" increments)

<input type="checkbox"/> 11"- 14"	<input type="checkbox"/> 15"- 18"	Set at: _____
-----------------------------------	-----------------------------------	---------------

CAMBER ☉

- XCBR8 0° 2° 4° 6° 8°.....STD
- XCBR10 Additional Camber Plug (Pair) 0° 2° 4° 6° 8°.....\$100

FRAME MEASUREMENTS

FRONT TAPER /FRONT ANGLE If no Front Taper is selected, footrest width will be 2" narrower than Seat Width **A**. If 2" taper is selected, footrest width will be 4" narrower than Seat Width **A**. Front Angle **B** is measured from inside of front frame tube to top of bottom frame tube.

SX Swing Away Front End

XFA3 <input type="checkbox"/> 70° <input type="checkbox"/> 80° <input type="checkbox"/> 90° Front Angle with No Taper.....	STD
XFA4 <input type="checkbox"/> 80° Front Angle with 2" Taper.....	\$150
XFA0 <input type="checkbox"/> Omit Hangers.....	-\$75

X Fixed Front End

XFA6 <input type="checkbox"/> 70° <input type="checkbox"/> 80° <input type="checkbox"/> 85° Front Angle with No Taper.....	STD
XFA7 <input type="checkbox"/> 70° <input type="checkbox"/> 80° <input type="checkbox"/> 85° Front Angle with 2" Taper.....	\$150

SEAT TO FOOTREST /FOOTRESTS Measure from front edge of seat sling to top rear of footrest. **Measurement must be at least 2" shorter than Front Seat Height .**

If your Front Angle is 70°, 80° OR 85° WITH NO TAPER, select one Seat to Footrest length and one Footrest type:

Standard Footrests

<input type="checkbox"/> 14" <input type="checkbox"/> 14.5" <input type="checkbox"/> 15" <input type="checkbox"/> 15.5" <input type="checkbox"/> 16" <input type="checkbox"/> 16.5" <input type="checkbox"/> 17" <input type="checkbox"/> 17.5" <input type="checkbox"/> 18"	
<input type="checkbox"/> 18.5" <input type="checkbox"/> 19" <input type="checkbox"/> 19.5"	
XFTR5 <input type="checkbox"/> Flip-up Footrest.....	STD
XFTR6 <input type="checkbox"/> 1-Piece Flip-up Footrest (Pivot on <input type="checkbox"/> L or <input type="checkbox"/> R) (Not available with Heel Loops.).....	\$125
XFTR7 <input type="checkbox"/> 1-Piece, Over-Center Folding Footrest (X Fixed Front Only.) (Not available with Heel Loops.).....	\$125
XFTR8 <input type="checkbox"/> 1-Piece, Over-Center Angle Adjustable Footrest (X Fixed Front Only.) (Not available with Heel Loops. Available for 15"- 20" Seat to Footrest <input type="checkbox"/> only.).....	\$295
XFTR9 <input type="checkbox"/> Depth Adjustable Flip-up Footrest.....	\$95
XFTR10 <input type="checkbox"/> Depth & Angle Adjustable Flip-up Footrest (Available for 15"- 20" Seat to Footrest <input type="checkbox"/> only.).....	\$235
XFTR11 <input type="checkbox"/> Angle Adjustable Flip-up Footrest (Available for 15"- 20" Seat to Footrest <input type="checkbox"/> only.).....	\$195

High Mount Swing Away Footrests (Not available with Luggage Carriers or Neoprene Impact Guards.)

<input type="checkbox"/> 7" <input type="checkbox"/> 7.5" <input type="checkbox"/> 8" <input type="checkbox"/> 8.5" <input type="checkbox"/> 9" <input type="checkbox"/> 9.5" <input type="checkbox"/> 10" <input type="checkbox"/> 10.5" <input type="checkbox"/> 11" <input type="checkbox"/> 11.5"	
<input type="checkbox"/> 12" <input type="checkbox"/> 12.5" <input type="checkbox"/> 13" <input type="checkbox"/> 13.5" <input type="checkbox"/> 14" <input type="checkbox"/> 14.5"	
XFTR12 <input type="checkbox"/> High Mount Flip-up.....	\$165 K0037
XFTR13 <input type="checkbox"/> Depth Adjustable High Mount Flip-up Footrest.....	\$185
XFTR15 <input type="checkbox"/> Angle Adjustable High Mount Flip-up Footrest.....	\$285
XFTR16 <input type="checkbox"/> Depth & Angle Adjustable High Mount Flip-up Footrest.....	\$325

If your Front Angle is 70°, 80° OR 85° WITH 2" TAPER, select one Seat to Footrest length and one Footrest type:

<input type="checkbox"/> 14" <input type="checkbox"/> 14.5" <input type="checkbox"/> 15" <input type="checkbox"/> 15.5" <input type="checkbox"/> 16" <input type="checkbox"/> 16.5" <input type="checkbox"/> 17" <input type="checkbox"/> 17.5" <input type="checkbox"/> 18" <input type="checkbox"/> 18.5" <input type="checkbox"/> 19"	
<input type="checkbox"/> 19.5"	
XFTR5 <input type="checkbox"/> Flip-up Footrest.....	STD
XFTR6 <input type="checkbox"/> 1-Piece Flip-up Footrest (Pivot on <input type="checkbox"/> L or <input type="checkbox"/> R) (Not available with Heel Loops.).....	\$125
XFTR7 <input type="checkbox"/> 1-Piece, Over-Center Folding Footrest (X Fixed Front Only.) (Not available with Heel Loops.).....	\$125
XFTR8 <input type="checkbox"/> 1-Piece, Over-Center Angle Adjustable Footrest (X Fixed Front Only.) (Not available with Heel Loops. Available for 15"- 20" Seat to Footrest <input type="checkbox"/> only.).....	\$295
XFTR9 <input type="checkbox"/> Depth Adjustable Flip-up Footrest.....	\$95
XFTR10 <input type="checkbox"/> Depth & Angle Adjustable Flip-up Footrest (Available for 15"- 20" Seat to Footrest <input type="checkbox"/> only.).....	\$235
XFTR11 <input type="checkbox"/> Angle Adjustable Flip-up Footrest (Available for 15"- 20" Seat to Footrest <input type="checkbox"/> only.).....	\$195

If your Front Angle is 90°, select one Seat to Footrest length and one Footrest type (90°: Front Angle not available with Neoprene Impact Guards.):

<input type="checkbox"/> 7" <input type="checkbox"/> 8" <input type="checkbox"/> 9" <input type="checkbox"/> 10" <input type="checkbox"/> 11" <input type="checkbox"/> 12" <input type="checkbox"/> 13"	
XFTR5 <input type="checkbox"/> Flip-up Footrest.....	STD
XFTR9 <input type="checkbox"/> Depth Adjustable Flip-up Footrest.....	\$95
XFTR10 <input type="checkbox"/> Depth & Angle Adjustable Flip-up Footrest.....	\$235

XHLP1 Heel Loops (Not available with 12" or 13" Seat Width **A** or 1-Piece Footrests.)..... \$40 E0951

CHAIR OPTIONS

FRONT WHEELS See Front Seat Height Ranges chart on Page 2 for Front Seat Height limitations.

XFW1 <input type="checkbox"/> 3"x.75"	Micro-Caster.....	NCO
XFW2 <input type="checkbox"/> 3"x.75"	Light-Up Micro-Caster.....	\$70
XFW14 <input type="checkbox"/> 4"x.75"	Plastic Wheel w/Poly Tire.....	NCO
XFW3 <input type="checkbox"/> 4"x.75"	Light-Up Micro-Caster.....	\$70
XFW19 <input type="checkbox"/> 4"x.75"	Performance 5 Spoke Billet Aluminum Wheel w/Poly Tire <input type="checkbox"/> Silver Hub OR <input type="checkbox"/> Black Hub.....	\$125
XFW20 <input type="checkbox"/> 4"x1"	Performance 5 Spoke 2-Piece Billet Aluminum Wheel w/Soft Roll Tire <input type="checkbox"/> Silver Hub OR <input type="checkbox"/> Black Hub.....	\$165

CHAIR OPTIONS

XFW6 <input type="checkbox"/> 5"x1"	Plastic Wheel w/Poly Tire.....	STD	
XFW21 <input type="checkbox"/> 5"x1"	Performance 5 Spoke Billet Aluminum Wheel w/Poly Tire <input type="checkbox"/> Silver Hub OR <input type="checkbox"/> Black Hub.....	\$145	
XFW22 <input type="checkbox"/> 5"x1"	Performance 5 Spoke 2-Piece Billet Aluminum Wheel w/Soft Roll Tire <input type="checkbox"/> Silver Hub OR <input type="checkbox"/> Black Hub.....	\$185	
XFW9 <input type="checkbox"/> 6"x1"	Plastic Wheel w/Poly Tire (Not available with 85° or 90° Front Angle Ⓢ).....	NCO	
XFW11 <input type="checkbox"/> 6"x1"	Billet Aluminum Wheel w/Poly Tire <input type="checkbox"/> Silver Hub OR <input type="checkbox"/> Black Hub (Not available with 85° or 90° Front Angle Ⓢ).....	\$165	
XFW10 <input type="checkbox"/> 6"x1.25"	Plastic Wheel w/Pneumatic Tire (Not available with 85° or 90° Front Angle Ⓢ).....	\$65	
XFW12 <input type="checkbox"/> 6"x1.25"	Billet Aluminum Wheel w/Pneumatic Tire <input type="checkbox"/> Silver Hub OR <input type="checkbox"/> Black Hub (Not available with 85° or 90° Front Angle Ⓢ).....	\$165	
XFW13 <input type="checkbox"/> 6"x1.25"	2-Piece Billet Aluminum Wheel w/Soft Roll Tire (Not available with 85° or 90° Front Angle Ⓢ).....	\$195	
XFW16 <input type="checkbox"/> 8"x1"	Plastic Wheel w/Poly Tire (Available with 70° Front Angle Ⓢ only).....	NCO	
XFW17 <input type="checkbox"/> 8"x1.25"	Plastic Wheel w/Pneumatic Tire (Available with 70° Front Angle Ⓢ only).....	\$85	
XFRG1 <input type="checkbox"/>	Frog Legs® Suspension Forks (Available in Black anodize only. Not available with 8" Front Wheels.).....	\$395	E1015
XCPL1 <input type="checkbox"/>	Caster Pin Locks (Not available with Frog Legs®.).....	\$225	K0073
XFW0 <input type="checkbox"/>	Omit Front Wheels (Must choose Wheel Size above.).....	-\$20	

REAR WHEELS See Rear Seat Height Ranges chart on Page 2 for Rear Seat Height **Ⓢ** limitations.

XRW14 TiLite SHADOW™ (Not available with Titanium Quick Release Axles.).....		STD	
<input type="checkbox"/> 22"(501)			
<input type="checkbox"/> 24"(540)			
<input type="checkbox"/> 25"(559) (Requires 15" minimum Seat Depth Ⓢ .)			
<input type="checkbox"/> 26"(590) (Requires 15" minimum Seat Depth Ⓢ .)			
XRW5 TiLite High Flange Hub (Not available with Titanium Quick Release Axles.).....		\$250	
<input type="checkbox"/> 24"(540)			
<input type="checkbox"/> 25"(559) (Requires 15" minimum Seat Depth Ⓢ .)			
<input type="checkbox"/> 26"(590) (Requires 15" minimum Seat Depth Ⓢ .)			
XRW13 Golz TWIN-STAR Exchange (Not available with Titanium Quick Release Axles.).....		\$895	
<input type="checkbox"/> 24"(540)			
<input type="checkbox"/> 25"(559) (Requires 15" minimum Seat Depth Ⓢ .)			
XRW7 Spinergy SPOX <input type="checkbox"/> Black <input type="checkbox"/> Red <input type="checkbox"/> Yellow <input type="checkbox"/> Blue <input type="checkbox"/> White		\$695	
<input type="checkbox"/> 22"(501) - Std. Hub			
<input type="checkbox"/> 24"(540) - Std. Hub			
<input type="checkbox"/> 25"(559) - Std. Hub (Requires 15" minimum Seat Depth Ⓢ .)			
<input type="checkbox"/> 26"(590) - Sport Hub (Requires 15" minimum Seat Depth Ⓢ . Not available with Titanium Quick Release or Quad Release Axles.)			
XRW8 Spinergy LX <input type="checkbox"/> Black <input type="checkbox"/> Red <input type="checkbox"/> Yellow <input type="checkbox"/> Blue <input type="checkbox"/> White <input type="checkbox"/> Go Green <input type="checkbox"/> Bright Orange <input type="checkbox"/> Flamingo Pink (Please allow an additional 2-3 weeks delivery on Go Green, Bright Orange and Flamingo Pink.).....		\$895	
<input type="checkbox"/> 22"(501) - Std. Hub			
<input type="checkbox"/> 24"(540) - Std. Hub			
<input type="checkbox"/> 25"(559) - Std. Hub (Requires 15" minimum Seat Depth Ⓢ .)			
<input type="checkbox"/> 26"(590) - Sport Hub (Requires 15" minimum Seat Depth Ⓢ . Not available with Titanium Quick Release or Quad Release Axles.)			
XRW11 Skyway Mags <input type="checkbox"/> 22" <input type="checkbox"/> 24" (Not available with Short Tabs, Titanium Quick Release Axles, Quad Release Axles or Spoke Guards.)		\$50	
XRW0 <input type="checkbox"/> Omit Rear Wheels (Must choose Wheel Size and Tire Type below.).....		-\$50	

AXLES

XAXL1 <input type="checkbox"/> Stainless Quick Release.....		STD	
XAXL2 <input type="checkbox"/> Titanium Quick Release (Not available with TiLite High Flange Hub, TWIN-STAR Exchange, SHADOW, Skyway Mags, 26"(590) Spinergy SPOX or LX Rear Wheels or Power Adaptable Frame.).....		\$195	
XAXL3 <input type="checkbox"/> Quad Release (Not available with Skyway Mags or 26"(590) Spinergy Spox or LX Rear Wheels.).....		\$95	

AXLE PLATE

XAXL4 <input type="checkbox"/> Amputee Axle Plate (Not available with Swing Away Tubular Armrests. Maximum Rear Seat Height Ⓢ of 18.5").....		\$175	E0959
---	--	-------	-------

PNEUMATIC REAR TIRES

XRTR1 <input type="checkbox"/> Treaded (Not available with 25" (559) Rear Wheels.)		STD	
XRTR2 <input type="checkbox"/> Airless Inserts		\$80	E2213
XRTR3 <input type="checkbox"/> 25" Primo Treaded (Standard with 25"(559) Rear Wheels.)		STD	
XRTR4 <input type="checkbox"/> Primo		NCO	
XRTR5 <input type="checkbox"/> 24", 25" and 26" Kenda® High Pressure (110psi) <input type="checkbox"/> Grey <input type="checkbox"/> Red <input type="checkbox"/> Blue		\$95	
XRTR6 <input type="checkbox"/> 24" Grey Knobby (Requires TiLite Wheel with High Flange Hub.)		\$95	
XRTR7 <input type="checkbox"/> 26" Black Knobby (Requires TiLite Wheel with High Flange Hub or Spinergy SPOX or Spinergy LX Rear Wheels.)		\$95	
XRTR8 <input type="checkbox"/> 24", 25" and 26" Schwalbe® Marathon Plus Evolution		\$125	
XRTR9 <input type="checkbox"/> 24" and 25" Schwalbe® SpeedRun		\$125	

SOLID REAR TIRES

XRTR11 <input type="checkbox"/> 22" (501) Pyramid.....		\$75	
XRTR13 <input type="checkbox"/> 24"(540) and 25"(559) HerringboneTread.....		\$95	
XRTR15 <input type="checkbox"/> 24"(540) and 25"(559) Treaded.....		\$95	

CHAIR OPTIONS

HANDRIMS

Handrims by OUT-FRONT®

XRIM1 <input type="checkbox"/> Aluminum – Silver Anodized.....	STD
Titanium (Not available with Skyway Mags, 22" Rear Wheels, or 24" Knobby tires.)	
XRIM12 <input type="checkbox"/> Satin Finish.....	\$400
XRIM13 <input type="checkbox"/> Polished Finish.....	\$550
The Natural-Fit® (Original, Larger Profile) (Not available with 22" Skyway Mags.)	
XRIM14 <input type="checkbox"/> Standard Grip (Not available with Short Tabs.).....	\$295
XRIM15 <input type="checkbox"/> Super Grip (Not available with Short Tabs.).....	\$340
XRIM16 <input type="checkbox"/> Without Thumb Grip.....	\$270
The Natural-Fit® LT (Reduced Weight, Smaller Profile) (Not available with 22" Skyway Mags.)	
XRIM17 <input type="checkbox"/> Standard Grip (Not available with Short Tabs.).....	\$325
XRIM18 <input type="checkbox"/> Super Grip (Not available with Short Tabs.).....	\$370
XRIM19 <input type="checkbox"/> Without Thumb Grip.....	\$300
XRIM10 <input type="checkbox"/> The Surge (All-In-One Oval with Gription™ Strip, Larger Profile) (Not available with 22" Skyway Mags.).....	\$315
XRIM11 <input type="checkbox"/> The Surge LT (All-In-One Oval with Gription™ Strip, Smaller Profile) (Not available with 22" Skyway Mags.).....	\$340
XRIM20 <input type="checkbox"/> Q-Grip (Exclusive High-Friction, Anti-Slip Coating) (Not available with 22" or 26" Rear Wheels or Skyway Mags.).....	\$295

Additional Handrims

XRIM9 <input type="checkbox"/> Spinergy FlexRim (Available only on 24" and 25" Spinergy LX Rear Wheels. Please allow an additional 2-3 weeks delivery.).....	\$525
XRIM5 <input type="checkbox"/> Plastic Coated – Black.....	\$95
XRIM6 <input type="checkbox"/> Projections - 8 Vertical Projections (Not available with 22" or 26" Rear Wheels or Skyway Mags.).....	\$240
XRIM0 <input type="checkbox"/> Omit Handrims.....	-\$15

Tab Length

XRIM7 <input type="checkbox"/> Long Tabs.....	STD
XRIM8 <input type="checkbox"/> Short Tabs (Not available with Skyway Mags or The Natural-Fit® Handrims with Thumb Grip.).....	\$15

WHEEL LOCKS

XWLK7 <input type="checkbox"/> Compact Composite Push to Lock (Available with .75" to 1.5" Rear Wheel Spacing Ⓢ only).....	NCO
XWLK8 <input type="checkbox"/> Compact Composite Pull to Lock (Available with .75" to 1.5" Rear Wheel Spacing Ⓢ only).....	NCO
XWLK10 <input type="checkbox"/> Extension Handles for Compact Composite Push/Pull to Lock.....	\$75 E0961
XWLK9 <input type="checkbox"/> Composite Scissor Lock.....	\$125
XWLK3 <input type="checkbox"/> Uni-Lock Set At: <input type="checkbox"/> Push OR <input type="checkbox"/> Pull.....	\$135
XWLK4 <input type="checkbox"/> Extension Handles for Uni-Lock.....	\$75 E0961

UPHOLSTERY COLORS

XUPC1 <input type="checkbox"/> Black.....	STD
XUPC2 <input type="checkbox"/> Ti Red <input type="checkbox"/> Royal Blue <input type="checkbox"/> Navy Blue <input type="checkbox"/> Hunter Green <input type="checkbox"/> Purple <input type="checkbox"/> Digital Camo.....	\$70

BACK UPHOLSTERY

XBUP1 <input type="checkbox"/> Padded Nylon (Not available with Fold-Down Push Handles.).....	STD
XBUP3 <input type="checkbox"/> Tension Adjustable by Straps (Required with Fendered Aluminum Side Guards and Fold-Down Push Handles.).....	\$175
XBUP4 <input type="checkbox"/> Ride Designs® Corbac™ Adjustable Contour Back Support (Black Only. Available with Fixed Seat Backs from 11" to 14". Not available with Folding Stabilizer Bar.).....	\$455
XBUP0 <input type="checkbox"/> Omit Back Upholstery.....	NCO

SEAT UPHOLSTERY

XSUP4 <input type="checkbox"/> Tension Adjustable.....	STD
XSUP0 <input type="checkbox"/> Omit Seat Upholstery.....	NCO
XSUP6 <input type="checkbox"/> Quick Release Solid Seat Insert.....	\$235

SEAT CUSHIONS

XCSH1 <input type="checkbox"/> Foam Cushion <input type="checkbox"/> 2" <input type="checkbox"/> 3" <input type="checkbox"/> 4".....	\$95
XCSH2 <input type="checkbox"/> StimuLITE® Sport (2" Black 13"x15" to 20"x 20". Please allow an additional 2-3 weeks delivery.).....	\$495 E2603
XCSH3 <input type="checkbox"/> Corbee® (2" Black 12"x 12" to 16"x 16". Please allow an additional 2-3 weeks delivery.).....	\$495 E2603
XCSH4 <input type="checkbox"/> ROHO® Low Profile® Quadro® Select (Black only. Please allow an additional 2-3 weeks delivery.).....	\$525 E2624
XCSH5 <input type="checkbox"/> ROHO® Custom (Black Only. Please allow an additional 2-3 weeks delivery.).....	\$625 E2609
XCSH6 <input type="checkbox"/> VARILITE® Evolution™ (Black only. See chart below.).....	\$495 E2622
XCSH7 <input type="checkbox"/> VARILITE® Zoid™ (Black only. See chart below.).....	\$495 E2622

VARILITE® SEAT CUSHION AVAILABILITY CHART

Seat Depth **Ⓢ**

Seat Width Ⓐ	VARILITE® Evolution™	VARILITE® Zoid™
12"	14"	8", 12", 14"
13"	NONE	NONE
14"	14", 16", 18", 20"	14", 16", 18"
15"	15", 17"	15", 17"
16"	14", 16", 18", 20"	16", 18", 20"
17"	17"	17"
18"	16", 18", 20"	16", 18", 20"
19"	NONE	NONE
20"	16", 18", 20"	16", 18", 20"

CHAIR OPTIONS

SIDE GUARDS

- XSDG1 Cloth (Not available with Ride Designs® Corbac™ Back Support.).....\$65
- Aluminum**
- XSDG2 Rigid Removable Small **OR** Std.....\$175
- XSDG3 Quad Removable w/Hole Small **OR** Std.....\$185
- XSDG6 Fendered Adjustable (Requires Tension Adjustable by Straps Back Upholstery.).....\$195
- Carbon Fiber**
- XSDG7 Rigid Removable Small **OR** Std.....\$270
- XSDG8 Quad Removable w/Hole Small **OR** Std.....\$280
- Available on Aluminum and Carbon Fiber Non-Fendered Side Guards**
- XSDG13 Side Guards Custom Cut to Profile of Rear Wheels (Not available with Cloth.).....\$275

ARMRESTS

- XARM1 Swing Away Tubular (Not Available with Folding Stabilizer Bar.).....\$195 E0973
- XARM2 Removable Height Adjustable Desk Arm with Rigid Side Guard (Requires 14" minimum Seat Depth **Ⓞ**.).....\$295 E0973
- Standard Length Pad (10") **OR** Full Length Pad (14")
- 9" to 12" **OR** 12" to 15"
- XARM3 Removable Height Adjustable Desk Arm with Rigid Side Guard and Transfer Loop (Requires 15" minimum Seat Depth **Ⓞ**.).....\$340 E0973
- Standard Length Pad (10") **OR** Full Length Pad (14")
- 9" to 12" **OR** 12" to 15"
- Available on all Armrests**
- XARM5 Covered in Black Ultrasuede.....\$75

SEAT BELTS

- XBLT1 Velcro Adjustable, Black Nylon Webbing.....\$45 E0978
- XBLT2 Bodypoint® 2" Push-Button Buckle (Auto-Style.).....\$85 E0978
- XBLT4 Bodypoint® 1" Wide Push-Button Buckle Padded (Auto-Style.) (Not available with 19" or 20" Rear Seat Widths **Ⓞ**.).....\$155 E0978
- XBLT5 Bodypoint® 1.5" Wide Push-Button Buckle Padded (Auto-Style.) (Not available with 19" or 20" Rear Seat Widths **Ⓞ**.).....\$155 E0978
- XBLT6 Bodypoint® 1.5" Wide Rehab Latch Buckle Padded (Airline-Style.) (Not available with 19" or 20" Rear Seat Widths **Ⓞ**.).....\$155 E0978
- XBLT7 Bodypoint® 1.5" Wide Plastic Side Release Padded (Not available with 19" or 20" Rear Seat Widths **Ⓞ**.).....\$120 E0978

CALF STRAP

- XCLF1 Buckle Adjustable, Black Nylon Webbing.....\$25 K0038
- XCLF2 Velcro Adjustable\$35 K0038
- Small (Recommended for 12"- 15" Seat Widths)
- Medium (Recommended for 14"- 18" Seat Widths)
- Large (Recommended for 17"- 19" Seat Widths)
- Xtra Large (Recommended for 18"- 20" Seat Widths)
- XCLF3 Bodypoint® Padded Velcro Adjustable\$75 K0038
- Medium (Recommended for 12"- 15" Seat Widths)
- Large (Recommended for 16"- 20" Seat Widths)

BACK PACK

- XBCK1 Small - Black Nylon.....\$50
- XBCK2 Large - Black Nylon.....\$65

SEAT POUCH

- XPCH1 Small - Black Nylon.....\$40
- XPCH2 Large - Black Nylon.....\$45

SPOKE GUARDS

- XGRD1 Clear with TiMotion Logo (Not available with Skyway Mags.).....\$115 K0065

ANTI-TIPS

- XTIP1 Rear Aluminum - Black.....\$135 E0971
- XTIP2 User Friendly Rear Flip-up.....\$245 E0971

CHAIR OPTIONS

ACCESSORIES

XUEST1	<input type="checkbox"/> Upper Extremity Support Tray	<input type="checkbox"/> 12" to 14" OR <input type="checkbox"/> 13" to 15" Seat Widths A (Requires Armrests.)	\$250	E0950
XLUG1	<input type="checkbox"/> Luggage Carriers (Not available with High Mount Footrests or 1-Piece Flip-Up Footrests.)		\$125	
XMPCT2	Neoprene Impact Guards with Stripe (Not available with High Mount Footrests, Elevating Leg Rests or 90° Hangers.)			
	<input type="checkbox"/> Black <input type="checkbox"/> Ti Red <input type="checkbox"/> Royal Blue <input type="checkbox"/> Navy Blue <input type="checkbox"/> Hunter Green <input type="checkbox"/> Purple <input type="checkbox"/> Digital Camo		\$90	
XTRVL1	<input type="checkbox"/> Travel Wheels (Not available with Anti-Tips or Amputee Adapter.)		\$250	
XCH1	<input type="checkbox"/> Crutch Holder		\$150	E2207
XTS1	TiLite T-Shirt <input type="checkbox"/> Small <input type="checkbox"/> Medium <input type="checkbox"/> Large <input type="checkbox"/> X-Large <input type="checkbox"/> XX-Large		\$25	
XHS1	<input type="checkbox"/> TiLite 9 Piece SAE Round Handle Folding Hex Key Set		\$25	
XAFP1	4" Logo Patch <input type="checkbox"/> Army <input type="checkbox"/> Navy <input type="checkbox"/> Air Force <input type="checkbox"/> Marines		\$50	
XAFP2	Name Tape Patch <input type="checkbox"/> Army <input type="checkbox"/> Navy <input type="checkbox"/> Air Force <input type="checkbox"/> Marines		\$50	
XAFP3	<input type="checkbox"/> Combat Wounded Purple Heart Patch		\$50	

DESIGNS UNLIMITED



TiLite's SX and X offers hundreds of different frame combinations! But sometimes even that's not enough. If you would like to customize your TiLite, check out the Designs Unlimited Studio at tilite.com. There you will find drawings and pricing for hundreds of creative solutions to customers' customization requests. We call these "D.U.'s." If you don't find the D.U. you're looking for, contact the TiLite Customer Service Team at 800.545.2266 or customerservice@tilite.com and we'll design a D.U. just for you. Designs Unlimited customization may add an additional 2 to 3 weeks to the ship time of your chair.

GENERAL

TiLite manufactures a wide variety of wheelchairs to meet the varied needs of wheelchair users. The final selection of a particular model, its options and accessories, and its measurements rests solely with the wheelchair user and advising healthcare professional. TiLite wheelchairs must be fitted by a qualified healthcare professional. HCPCS Codes are for reference purposes only. Actual coding and coverage varies by payer. Proper HCPCS coding is not a guarantee of payment. Please verify the appropriate payer's coverage policy.

Get the latest order forms at tilite.com Prices, standard features, options and accessories are subject to change without notice. All rights reserved. Trademarks are identified by symbols™ and ®. TiLite, the TiLite logo, Ti, the Ti logo, The Titanium Experts, TiShaft and The Ultimate Ride are registered trademarks of TiSport, LLC. Adobe®, Acrobat®, Acrobat Professional® and Reader® are registered trademarks of Adobe Systems Inc. Bodypoint® is a registered trademark of Bodypoint Inc. Frog Legs® is a registered trademark of Frog Legs, Inc. Kenda® is a registered trademark of Kenda Rubber Industrial Co Ltd. Ride Designs® and Corbac® are registered trademark of Aspen Seating, LLC. ROHO®, Low Profile® and Quadro Select® are registered trademarks of ROHO Inc. Schwalbe® is a registered trademark of Ralf Bohle GmbH. Supracor®, Stimulite® and Corbee® are registered trademarks of Supracor, Inc. The Natural-Fit® is a registered trademark of Three Rivers Holdings, LLC. Varilite® is a registered trademark of Cascade Designs, Inc.

NOTES

If you are using Adobe Acrobat, this order form may be converted into a quote request or into an order by clicking one of the buttons below (this feature is available exclusively to TiLite dealers and distributors). A TiLite Quote or a TiLite Order Confirmation will be sent to you within 24 hours.

QUOTE THIS CHAIR

ORDER THIS CHAIR