



Phone (800) 981-1540 | Fax (715) 254-0996  
 sales@kimobility.com | www.kimobility.com

Company: \_\_\_\_\_

Ship To: \_\_\_\_\_

Account Number: \_\_\_\_\_ Date: \_\_\_\_\_

Address: \_\_\_\_\_

Quote  PO Number: \_\_\_\_\_

City: \_\_\_\_\_ State: \_\_\_\_\_

RTS: \_\_\_\_\_

Zip: \_\_\_\_\_ Phone: \_\_\_\_\_

Marked For: \_\_\_\_\_

Email/Fax: \_\_\_\_\_

Select if chair quote has:  Additional Ki Products with Different Quote/Order Number **Quote/Order Number:** \_\_\_\_\_

Effective 08/19/2020

**Tsunami ALX** K0005, E1235 **\$1995**  
 250 lb weight capacity

*HCPCS codes provided are based on code verification by the PDAC or our interpretation of the code definitions. Proper use of HCPCS codes does not ensure coverage or payment. For coverage information, verify the appropriate payer's coverage policy.*

**Frame**

**Seat Width**

See reference A on page 6

- 14" \_\_\_\_\_ N/C
- 15" \_\_\_\_\_ N/C
- 16" \_\_\_\_\_ N/C
- 17" \_\_\_\_\_ N/C
- 18" \_\_\_\_\_ N/C
- 19" \_\_\_\_\_ \$125
- 20" E2201 \_\_\_\_\_ \$500
- 21" E2201 \_\_\_\_\_ \$500
- 22" E2201 \_\_\_\_\_ \$500

**Seat Depth**

See reference B on page 6

- 14" \_\_\_\_\_ N/C
- 15" \_\_\_\_\_ N/C
- 16" \_\_\_\_\_ N/C
- 17" \_\_\_\_\_ N/C
- 18" \_\_\_\_\_ N/C
- 19" \_\_\_\_\_ \$75
- 20" E2203 \_\_\_\_\_ \$550

**Weight Capacity**

- 250 lb \_\_\_\_\_ Std
- 350 lb (Heavy Duty) \_\_\_\_\_ \$750  
Requires 6" casters

**Transit**

- Transit System \_\_\_\_\_ \$320  
125 lb maximum weight capacity
- Omit Transit \_\_\_\_\_ N/C

**Backrest**

**Back Post / Height Range / Back Height**

Back Post	Price	Height Range	Back Height				
Height Adjustable	N/C	<input type="checkbox"/> Short	<input type="checkbox"/> 11 <sup>2</sup>	<input type="checkbox"/> 12	<input type="checkbox"/> 13	<input type="checkbox"/> 14	
		<input type="checkbox"/> Medium	<input type="checkbox"/> 13	<input type="checkbox"/> 14	<input type="checkbox"/> 15	<input type="checkbox"/> 16	<input type="checkbox"/> 17
		<input type="checkbox"/> Tall	<input type="checkbox"/> 17	<input type="checkbox"/> 18	<input type="checkbox"/> 19	<input type="checkbox"/> 20	
Fixed Height <sup>1</sup>	\$85	<input type="checkbox"/> Fixed	<input type="checkbox"/> 9 <sup>2</sup>	<input type="checkbox"/> 10 <sup>2</sup>	<input type="checkbox"/> 11 <sup>2</sup>	<input type="checkbox"/> 12 <sup>3</sup>	<input type="checkbox"/> 13
			<input type="checkbox"/> 14	<input type="checkbox"/> 15	<input type="checkbox"/> 16	<input type="checkbox"/> 17	<input type="checkbox"/> 18

<sup>1</sup> Not available with back upholstery  
<sup>2</sup> Not available with Fold Down Push Handle  
<sup>3</sup> Fold Down Push Handle requires Height Adjustable Rigidizer Bar

**Sling Position**

*In Performance Position (0"), sling is at front of frame. The 1" or 2" sling position extends the frame in front of the sling by that amount. See reference C on page 6.*

- 0" (Performance) \_\_\_\_\_ N/C
- 1" \_\_\_\_\_ N/C
- 2" (Classic) \_\_\_\_\_ N/C

**Adjustable Depth**

*Adds the capability to grow seat in depth*

- No Rear Adjustment \_\_\_\_\_ N/C
- 1/2" \_\_\_\_\_ N/C
- 1" \_\_\_\_\_ \$85
- 2" \_\_\_\_\_ \$165
- 3" \_\_\_\_\_ \$165

**Long Sling**

*Available only with 1", 2" and 3" Adjustable Depth*

- Long Sling \_\_\_\_\_ N/C  
Sling will be maximum 2" longer than seat depth

**Seat Option**

- Standard Seat Sling \_\_\_\_\_ Std
- Solid Seat Pan E2231 \_\_\_\_\_ \$265  
Seat Pan is 1" longer when Long Sling option is selected

**Front Frame Bend**

*Angle between front seat tube and ground. See reference D on page 6.*

- 90° \_\_\_\_\_ \$125
- 85° \_\_\_\_\_ N/C
- 80° \_\_\_\_\_ N/C
- 75° \_\_\_\_\_ N/C
- 70° \_\_\_\_\_ \$125

**Push Handle**

- Omit Push Handle \_\_\_\_\_ N/C
- Standard Push Handle \_\_\_\_\_ \$85
- Low Profile Push Handle \_\_\_\_\_ \$135  
2" shorter than standard push handles
- Bolt-On Push Handle \_\_\_\_\_ \$125  
Handles will be 1" - 2" above back height
- Fold Down Push Handle \_\_\_\_\_ \$100  
Not available with 350 lb Weight Capacity

**Backrest continued**

**Rigidizer Bar**

- Adjustable Height Rigidizer Bar \_\_\_\_\_ \$75
- Non-Adjustable Height Rigidizer Bar \_\_\_\_\_ N/C

**Locking Backrest**

- Locking Fold Down Back \_\_\_\_\_ \$95  
*Rogue style locking back. Not available with 350 lb Weight Capacity*

**Seat Back Angle**

*Standard is 90° (perpendicular to floor). Minus (-°) closes back angle. Plus (+°) opens back angle.*

- Standard
- +3°
- +6°
- +9°
- 3°
- 6°
- 9°
- 12°

**Back Upholstery**

*Available only with Height Adjustable Back Posts. If selecting both upholstery and Axiom Back, the upholstery will be installed.*

- Padded Velcro Adjustable  
*Not available with 350 lb Weight Capacity*
  - Standard Cover \_\_\_\_\_ Std
  - Air Mesh Breathable Cover \_\_\_\_\_ \$75
- Tension Adjustable E2611
  - Standard Cover \_\_\_\_\_ \$315
  - Air Mesh Breathable Cover \_\_\_\_\_ \$390
- Omit Back Upholstery \_\_\_\_\_ - \$10

**Front Seat Height and Casters**

**Caster Size / Footrest Taper / Front Seat Height**

*Select Front Seat Height and Footrest Taper in row corresponding to Caster Size. 6" casters not available with 85° and 90° Front Frame Bend.*

*Footrest Taper indicates bend of front frame creating footrest width. Taper is measured from outside of seat frame to outside of front tube.*

*2" Taper not available with 75° Front Frame Bend. Taper is not available with 70° Front Frame Bend. See reference E on page 6.*

*Front Seat Height is measured from floor to top of seat tube at front of seat sling. Adjustable up or down by 1/2". See reference F on page 6.*

Footrest Taper	Caster Size	Front Seat Height														
<input type="checkbox"/> Straight	3"	<input type="checkbox"/> 13.5	<input type="checkbox"/> 14	<input type="checkbox"/> 14.5	<input type="checkbox"/> 15	<input type="checkbox"/> 15.5	<input type="checkbox"/> 16	<input type="checkbox"/> 16.5	<input type="checkbox"/> 17	<input type="checkbox"/> 17.5	<input type="checkbox"/> 18	<input type="checkbox"/> 18.5	<input type="checkbox"/> 19	<input type="checkbox"/> 19.5	<input type="checkbox"/> 20	<input type="checkbox"/> 20.5
	4"	<input type="checkbox"/> 14	<input type="checkbox"/> 14.5	<input type="checkbox"/> 15	<input type="checkbox"/> 15.5	<input type="checkbox"/> 16	<input type="checkbox"/> 16.5	<input type="checkbox"/> 17	<input type="checkbox"/> 17.5	<input type="checkbox"/> 18	<input type="checkbox"/> 18.5	<input type="checkbox"/> 19	<input type="checkbox"/> 19.5	<input type="checkbox"/> 20	<input type="checkbox"/> 20.5	
	5"	<input type="checkbox"/> 14.5	<input type="checkbox"/> 15	<input type="checkbox"/> 15.5	<input type="checkbox"/> 16	<input type="checkbox"/> 16.5	<input type="checkbox"/> 17	<input type="checkbox"/> 17.5	<input type="checkbox"/> 18	<input type="checkbox"/> 18.5	<input type="checkbox"/> 19	<input type="checkbox"/> 19.5	<input type="checkbox"/> 20	<input type="checkbox"/> 20.5		
	6"	<input type="checkbox"/> 15	<input type="checkbox"/> 15.5	<input type="checkbox"/> 16	<input type="checkbox"/> 16.5	<input type="checkbox"/> 17	<input type="checkbox"/> 17.5	<input type="checkbox"/> 18	<input type="checkbox"/> 18.5	<input type="checkbox"/> 19	<input type="checkbox"/> 19.5	<input type="checkbox"/> 20	<input type="checkbox"/> 20.5			
<input type="checkbox"/> 1" Taper	3"	<input type="checkbox"/> 16.5	<input type="checkbox"/> 17	<input type="checkbox"/> 17.5	<input type="checkbox"/> 18	<input type="checkbox"/> 18.5	<input type="checkbox"/> 19	<input type="checkbox"/> 19.5	<input type="checkbox"/> 20	<input type="checkbox"/> 20.5						
	4"	<input type="checkbox"/> 17	<input type="checkbox"/> 17.5	<input type="checkbox"/> 18	<input type="checkbox"/> 18.5	<input type="checkbox"/> 19	<input type="checkbox"/> 19.5	<input type="checkbox"/> 20	<input type="checkbox"/> 20.5							
	5"	<input type="checkbox"/> 17.5	<input type="checkbox"/> 18	<input type="checkbox"/> 18.5	<input type="checkbox"/> 19	<input type="checkbox"/> 19.5	<input type="checkbox"/> 20	<input type="checkbox"/> 20.5								
	6"	<input type="checkbox"/> 18	<input type="checkbox"/> 18.5	<input type="checkbox"/> 19	<input type="checkbox"/> 19.5	<input type="checkbox"/> 20	<input type="checkbox"/> 20.5									
<input type="checkbox"/> 2" Taper	3"	<input type="checkbox"/> 16.5	<input type="checkbox"/> 17	<input type="checkbox"/> 17.5	<input type="checkbox"/> 18	<input type="checkbox"/> 18.5	<input type="checkbox"/> 19	<input type="checkbox"/> 19.5	<input type="checkbox"/> 20	<input type="checkbox"/> 20.5						
	4"	<input type="checkbox"/> 17	<input type="checkbox"/> 17.5	<input type="checkbox"/> 18	<input type="checkbox"/> 18.5	<input type="checkbox"/> 19	<input type="checkbox"/> 19.5	<input type="checkbox"/> 20	<input type="checkbox"/> 20.5							
	5"	<input type="checkbox"/> 17.5	<input type="checkbox"/> 18	<input type="checkbox"/> 18.5	<input type="checkbox"/> 19	<input type="checkbox"/> 19.5	<input type="checkbox"/> 20	<input type="checkbox"/> 20.5								
	6"	<input type="checkbox"/> 18	<input type="checkbox"/> 18.5	<input type="checkbox"/> 19	<input type="checkbox"/> 19.5	<input type="checkbox"/> 20	<input type="checkbox"/> 20.5									

**Caster**

Caster Type		Price	Caster Size			
			3"	4"	5"	6"
Caster Type	.75" Rollerblade	N/C	<input type="checkbox"/>	<input type="checkbox"/>		
	.75" Lighted Rollerblade	\$70	<input type="checkbox"/>	<input type="checkbox"/>		
	1" Poly	N/C		<input type="checkbox"/>	<input type="checkbox"/>	<input type="checkbox"/>
	1" Poly Aluminum	\$110		<input type="checkbox"/>	<input type="checkbox"/>	
	1" Pneumatic	\$80				<input type="checkbox"/>
	1.5" Poly	\$50		<input type="checkbox"/>	<input type="checkbox"/>	<input type="checkbox"/>
	1.5" Soft Roll Aluminum	\$175	<input type="checkbox"/>	<input type="checkbox"/>	<input type="checkbox"/>	<input type="checkbox"/>

**Fork Options**

- Standard Fork \_\_\_\_\_ Std
- Slotted Fork \_\_\_\_\_ \$75
- Single Sided Fork \_\_\_\_\_ \$160  
*Not available with 6" Caster Size*
- Frog Legs Ultra-Sport Fork - Black E1015 \_\_\_\_\_ \$425  
*Not available with 350 lb Weight Capacity*
  - User Weight 80 - 120 lbs
  - User Weight 120 - 160 lbs
  - User Weight 160 - 220 lbs
  - User Weight 220 - 260 lbs
- Frog Legs PHASE 2 Carbon Fork \_\_\_\_\_ \$425  
*Lightweight shock absorbing fork. Not available with 350 lb Weight Capacity.*
- Caster Pin Locks K0073 \_\_\_\_\_ \$185  
*Available only with Slotted Fork*

## Footrest

### Footplate

- Tubular "Open" Footplate \_\_\_\_\_ Std  
*Not available w/footrest widths greater than 17.5". See Reference G on page 6.*
- Tubular Footplate with ABS Cover \_\_\_\_\_ \$30  
*Not available w/footrest widths greater than 15.5". See Reference G on page 6.*
- Aluminum Angle Adjustable K0040 \_\_\_\_\_ \$95
- Aluminum Angle Adjustable with Riser K0040, K0037 \_\_\_\_\_ \$145  
*Not available with 350 lb Weight Capacity*
- High Mount Aluminum Angle Adjustable K0040, K0037 \_\_\_\_\_ \$95  
*Not available with 350 lb Weight Capacity*
- Angle Adjustable Flip Under K0040, K0037 \_\_\_\_\_ \$185  
*Not available with footrest widths less than 9.5". Not available with 350 lb Weight Capacity*
- High Mount Angle Adjustable Flip Under K0040, K0037 \_\_\_\_\_ \$270  
*Not available with footrest widths greater than 15.5" or 350 lb Weight Capacity. See Reference G on page 6.*

### Footrest Protector

- Footrest Protector \_\_\_\_\_ \$25  
*Not available with Angle Adjustable Flip Under, High Mount Angle Adjustable Flip Under or High Mount Aluminum Angle Adjustable Footplates*

### Seat to Footrest Length

**Measured from front edge of seat sling to top, rear of footrest. Footrest length at least 2.5" shorter than Front Seat Height recommended. See reference H on page 6.**

<input type="checkbox"/> 8"	<input type="checkbox"/> 8.5"	<input type="checkbox"/> 9"	<input type="checkbox"/> 9.5"	<input type="checkbox"/> 10"	<input type="checkbox"/> 10.5"
<input type="checkbox"/> 11"	<input type="checkbox"/> 11.5"	<input type="checkbox"/> 12"	<input type="checkbox"/> 12.5"	<input type="checkbox"/> 13"	<input type="checkbox"/> 13.5"
<input type="checkbox"/> 14"	<input type="checkbox"/> 14.5"	<input type="checkbox"/> 15"	<input type="checkbox"/> 15.5"	<input type="checkbox"/> 16"	<input type="checkbox"/> 16.5"
<input type="checkbox"/> 17"	<input type="checkbox"/> 17.5"	<input type="checkbox"/> 18"	<input type="checkbox"/> 18.5"	<input type="checkbox"/> 19"	<input type="checkbox"/> 19.5"

## Rear Seat Height and Wheels

### Wheel Size / Rear Seat Height

**Select Rear Seat Height in row corresponding to desired Wheel Size. For proper setup, selection is required when omitting rear wheels. Measured from floor to top of seat tube at front of back post. Rear Seat Height is custom to needs. See reference I on page 6.**

Wheel Size	Rear Seat Height													
22"	<input type="checkbox"/> 13.5 <sup>1</sup>	<input type="checkbox"/> 14	<input type="checkbox"/> 14.5	<input type="checkbox"/> 15	<input type="checkbox"/> 15.5	<input type="checkbox"/> 16	<input type="checkbox"/> 16.5	<input type="checkbox"/> 17	<input type="checkbox"/> 17.5	<input type="checkbox"/> 18	<input type="checkbox"/> 18.5	<input type="checkbox"/> 19	<input type="checkbox"/> 19.5	<input type="checkbox"/> 20
24"	<input type="checkbox"/> 14.5 <sup>1</sup>	<input type="checkbox"/> 15	<input type="checkbox"/> 15.5	<input type="checkbox"/> 16	<input type="checkbox"/> 16.5	<input type="checkbox"/> 17	<input type="checkbox"/> 17.5	<input type="checkbox"/> 18	<input type="checkbox"/> 18.5	<input type="checkbox"/> 19	<input type="checkbox"/> 19.5	<input type="checkbox"/> 20		
25"	<input type="checkbox"/> 15 <sup>1</sup>	<input type="checkbox"/> 15.5	<input type="checkbox"/> 16	<input type="checkbox"/> 16.5	<input type="checkbox"/> 17	<input type="checkbox"/> 17.5	<input type="checkbox"/> 18	<input type="checkbox"/> 18.5	<input type="checkbox"/> 19	<input type="checkbox"/> 19.5	<input type="checkbox"/> 20			
26"	<input type="checkbox"/> 15.5 <sup>1</sup>	<input type="checkbox"/> 16	<input type="checkbox"/> 16.5	<input type="checkbox"/> 17	<input type="checkbox"/> 17.5	<input type="checkbox"/> 18	<input type="checkbox"/> 18.5	<input type="checkbox"/> 19	<input type="checkbox"/> 19.5	<input type="checkbox"/> 20				

<sup>1</sup> Available only with Low Profile tires

### Camber Bar Tower

- Standard Tower \_\_\_\_\_ N/C
- Mx Tower \_\_\_\_\_ \$100

**Standard Tower allows rear seat height adjustment up or down in 1/4" increments. 1" adjustment available; 1/2" in lowest end of range. Mx Tower required with select low seat heights or when large rear seat height adjustment range is required. Provides 3" adjustment range in 1/4" increments.**

### Rear Wheel

		Rear Wheel Size				
		Price	22"	24"	25"	26"
Rear Wheel Type	MAXX Performance Spoke	\$125	<input type="checkbox"/>	<input type="checkbox"/>	<input type="checkbox"/>	<input type="checkbox"/>
	MAXX Performance Spoke	N/C	<input type="checkbox"/>	<input type="checkbox"/>	<input type="checkbox"/>	<input type="checkbox"/>
	Mag	N/C	<input type="checkbox"/>	<input type="checkbox"/>	<input type="checkbox"/>	<input type="checkbox"/>
	Spinergy Spox	\$835	<input type="checkbox"/>	<input type="checkbox"/>	<input type="checkbox"/>	<input type="checkbox"/>

### Spinergy Options

**Select spoke color and handrim tab for Spinergy wheels**

Spoke Color:

- Black  Red  White  Blue  Yellow

Handrim Tab:

*Available only with Aluminum Anodized and Plastic Coated Handrims*

- Short Tab \_\_\_\_\_ \$25
- Long Tab \_\_\_\_\_ N/C

### Rear Tire Type

#### Full Profile

- Street Pneumatic 1 3/8" E2211, E2212 \_\_\_\_\_ Std  
*Not available on 25" wheel size*
- Full Poly 1 3/8" E2218 \_\_\_\_\_ \$55  
*Not available on 25" or 26" wheel sizes*
- Pneumatic with Airless Insert 1 3/8" E2211, E2213 \_\_\_\_\_ \$80  
*Not available on 25" wheel size*
- Schwalbe HS-127 1 3/8" E2211, E2212 \_\_\_\_\_ \$125  
*Available only on 24" wheel size. Not available on Mag wheel.*
- Euro Trek Knobby 1 3/8" E2211, E2212 \_\_\_\_\_ \$95  
*Available only on 24" wheel size*
- Mountain 2" Black E2211, E2212 \_\_\_\_\_ \$125  
*Available only on 22", 24" and 25" MAXX Performance and Spinergy wheels*

#### Low Profile

- Low Poly 1" E2218 \_\_\_\_\_ N/C  
*Not available on 25" or 26" wheel sizes or 350 lb Weight Capacity*
- Sentinel Solid Tire 1" E2218 \_\_\_\_\_ \$95  
*Not available on 22" Mag wheel*
- High Pressure 1" E2211, E2212 \_\_\_\_\_ \$80  
*Not available on Mag wheel*
- Schwalbe Marathon Plus Evolution 1" E2211, E2212 \_\_\_\_\_ \$135  
*Not available on Mag wheel or 22" wheel size*

## Rear Seat Height and Wheels continued

### Handrim

#### Standard Handrims

- Aluminum Anodized \_\_\_\_\_ Std
- Plastic Coated \_\_\_\_\_ \$100
- Projection (8 Vertical Projections) \_\_\_\_\_ \$295  
*Available only with full profile tires in combination with MAXX Performance or 24" Mag wheel*
- Omit Handrim \_\_\_\_\_ N/C

#### Natural Fit Handrims

**Not available on 20" wheel size or 22" Mag wheel. Not recommended with Mag wheel.**

- Natural Fit LT Regular Grip \_\_\_\_\_ \$465
- Natural Fit Standard Regular Grip \_\_\_\_\_ \$445
- Natural Fit LT Super Grip \_\_\_\_\_ \$515
- Natural Fit Standard Super Grip \_\_\_\_\_ \$495
- Natural Fit LT Omit Grip \_\_\_\_\_ \$395
- Natural Fit Standard Omit Grip \_\_\_\_\_ \$375

#### Handrim Option

- 3M Micro Grip \_\_\_\_\_ \$65  
*Not available on Plastic Coated or Projection Handrims*

### Axle

- Quick Release \_\_\_\_\_ Std
- Quad Quick Release \_\_\_\_\_ \$185  
*Not available with Mag or Spinergy wheels*

## Wheel Locks

### Wheel Lock

- Push to Lock \_\_\_\_\_ Std
- Push to Lock Flush Mount \_\_\_\_\_ N/C
- Pull to Lock \_\_\_\_\_ N/C
- Under Seat Scissor Lock \_\_\_\_\_ N/C
- Low Profile Scissor Lock \_\_\_\_\_ \$65  
*Not available with Low Poly, Full Poly or Sentinel Solid tires*
- Short Thro Scissor Lock \_\_\_\_\_ \$110
- Omit Wheel Locks \_\_\_\_\_ N/C

## Armrests

### Armrest

- Height Adjustable T-Arm (8.5" - 13.5") E0973  
*1.5" minimum Rear Wheel Spacing*
- Desk \_\_\_\_\_ \$325
  - Full \_\_\_\_\_ \$325
- Height Adjustable T-Arm Low (7.5" - 11.5") E0973  
*1.5" minimum Rear Wheel Spacing*
- Desk \_\_\_\_\_ \$325
  - Full \_\_\_\_\_ \$325

### Center of Gravity Preset

**Measured from front of back post to center of rear axle. 0" indicates axle will be directly under back post. See reference J on page 6.**

Amputee Positions			
<input type="checkbox"/> -1.5"	<input type="checkbox"/> -1.25"	<input type="checkbox"/> -1"	<input type="checkbox"/> -.75"
<input type="checkbox"/> -.5"	<input type="checkbox"/> -.25"	<input type="checkbox"/> 0"	<input type="checkbox"/> .25"

### Standard Positions

<input type="checkbox"/> .5"	<input type="checkbox"/> .75"	<input type="checkbox"/> 1"	<input type="checkbox"/> 1.25"
<input type="checkbox"/> 1.5"	<input type="checkbox"/> 1.75"	<input type="checkbox"/> 2"	<input type="checkbox"/> 2.25"
<input type="checkbox"/> 2.5"	<input type="checkbox"/> 2.75"	<input type="checkbox"/> 3"	<input type="checkbox"/> 3.25"
<input type="checkbox"/> 3.5"	<input type="checkbox"/> 3.75"	<input type="checkbox"/> 4"	<input type="checkbox"/> 4.25"

### Rear Wheel Spacing

**Measured from outside of back to inside of rear tire. Adjustable out 1/2" from setting. 1.5" minimum Rear Wheel Spacing with Height Adjustable T-Arm Armrest. 1" minimum Rear Wheel Spacing with 0° Rear Wheel Camber. See reference K on page 6.**

- .75"     1"     1.25"     1.5"     1.75"

### Rear Wheel Camber

- 0°     2°     4°     6°     8°

### Wheel Lock Options

- Extension Handles E0961 \_\_\_\_\_ \$70  
*Available only with Push to Lock or Pull to Lock Wheel Locks*
- Grade Aids E0974 \_\_\_\_\_ \$150  
*Available only with Push to Lock Wheel Locks and Pneumatic or Pneumatic with Airless Insert tires*

## Side Guards

*Not available with T-Arms or Swing Away with Side Guard Armrests*

### Direct Mount

- Composite Side Guards - Direct Mount Receiver K0108 \_\_\_ \$145
- Aluminum Straight K0108
  - Black Matte \_\_\_\_\_ \$195
  - Match Frame Color \_\_\_\_\_ \$245
- Aluminum Adjustable Fender with Foam Pad K0108  
*Not available with Adjustable Depth greater than 1/2"*
  - Black Matte \_\_\_\_\_ \$275
  - Match Frame Color \_\_\_\_\_ \$325
- Carbon Fiber Adjustable Fender K0108 \_\_\_\_\_ \$485  
*Not available with Adjustable Depth greater than 1/2"*

### Clamp-On Mount

- Composite Side Guards - Clamp-on Receiver K0108 \_\_\_\_\_ \$175
- Aluminum Straight K0108
  - Black Matte \_\_\_\_\_ \$225
  - Match Frame Color \_\_\_\_\_ \$275
- Aluminum Adjustable Fender with Foam Pad K0108
  - Black Matte \_\_\_\_\_ \$305
  - Match Frame Color \_\_\_\_\_ \$355
- Carbon Fiber Adjustable Fender K0108 \_\_\_\_\_ \$515

### Fabric Side Guard

*Not available when omitting Back Upholstery*

- Fabric Side Guards K0108 \_\_\_\_\_ \$95

## Accessories

### Anti-Tip

- Rear Anti-Tips E0971 \_\_\_\_\_ \$145
- Omit Rear Anti-Tips \_\_\_\_\_ N/C

### Calf Strap

- Velcro Adjustable K0038 \_\_\_\_\_ \$40
- Padded Velcro Adjustable K0038 \_\_\_\_\_ \$68
- Bodypoint Padded AeroMesh K0038 \_\_\_\_\_ \$102

### Positioning Belt

- 1 1/2" Auto Buckle E0978 \_\_\_\_\_ \$70
- 1 1/2" Padded Auto Buckle E0978 \_\_\_\_\_ \$155
- 2" Airline Buckle E0978 \_\_\_\_\_ \$110
- Bodypoint Evoflex - Pelvic Stabilizer E0978 \_\_\_\_\_ \$183  
 Size:  Small (16-24")  Medium (19-29")  Large (25-37")

### Belt Mounting Kit

- Ki Mobility Belt Mounting Clamp \_\_\_\_\_ \$35
- Bodypoint Belt Mounting Bracket Kit \_\_\_\_\_ \$105

### Other Accessories

- Tool Kit \_\_\_\_\_ \$45
- Removable Underseat Pouch \_\_\_\_\_ \$50
- Ki Mobility Backpack \_\_\_\_\_ \$65
- Luggage Carrier \_\_\_\_\_ \$85
- Black Neoprene Impact Guards \_\_\_\_\_ \$90
- Under Chair Carrier and Removable Bag \_\_\_\_\_ \$85
- Clear Spoke Guards K0065 \_\_\_\_\_ \$115  
*Not available with Mag wheel*
- Black Spoke Guards K0065 \_\_\_\_\_ \$115  
*Not available with 20" wheel size or Mag wheel*
- Cane and Crutch Holder \_\_\_\_\_ \$195

## Frame Color

### Gloss Finish

- Black \_\_\_\_\_ N/C
- Blue Skies \_\_\_\_\_ N/C
- Bubblegum Pink \_\_\_\_\_ N/C
- Candy Blue \_\_\_\_\_ N/C
- Candy Purple \_\_\_\_\_ N/C
- Candy Red \_\_\_\_\_ N/C
- Copper \_\_\_\_\_ N/C
- Granny Smith \_\_\_\_\_ N/C
- Metallic Orange \_\_\_\_\_ N/C
- Silver \_\_\_\_\_ N/C
- Yellow \_\_\_\_\_ N/C

### Matte Finish

- Charcoal Gray \_\_\_\_\_ N/C
- Emerald Green \_\_\_\_\_ N/C
- Iridescent Burgundy \_\_\_\_\_ N/C
- Iridescent Navy \_\_\_\_\_ N/C
- Military Green \_\_\_\_\_ N/C
- Retro Red \_\_\_\_\_ N/C
- Royal Blue \_\_\_\_\_ N/C
- Shadow Black \_\_\_\_\_ N/C
- Smooth White \_\_\_\_\_ N/C

## References

### A. Seat Width See Diagram 1

Measured from outside of frame tube on one side to outside of frame tube on other side.

### B. Seat Depth See Diagram 3

Measured from front of back posts to front edge of seat sling. Seat sling starts at beginning of bend at front of frame.

### C. Sling Position See Diagram 2

In Performance Position (0°), sling is at front of frame to keep chair shorter and more maneuverable. The 1" or 2" seat sling position extends the frame in front of the sling by that amount. Adding more frame can improve stability and provide support to aid in transfers.

### D. Front Frame Bend See Diagram 3

Angle between front seat tube and ground.

### E. Footrest Taper See Diagram 1

Indicates bend of front frame creating footrest. Taper is measured from outside of seat frame to outside of front tube.

### F. Front Seat Height See Diagram 1

Measured from floor to top of seat tube at front of seat sling.

### G. Footrest Width See Diagram 1

Measured from inside of front tube to inside of front tube on other side. Footrest width is listed below for each seat width and taper.

Seat Width	Straight	1" Taper	2" Taper
Outside Measurement	2" Narrower than Seat Width	4" Narrower than Seat Width	6" Narrower than Seat Width
14"	11.5"	9.5"	
15"	12.5"	10.5"	
16"	13.5"	11.5"	9.5"
17"	14.5"	12.5"	10.5"
18"	15.5"	13.5"	11.5"
19"	16.5"	14.5"	12.5"
20"	17.5"	15.5"	13.5"
21"	18.5"	16.5"	14.5"
22"	19.5"	17.5"	15.5"

### H. Seat to Footrest Length See Diagram 3

Measured from front edge of seat sling to top rear of footrest. Footrest length of at least 2.5" shorter than front seat height recommended.

### I. Rear Seat Height See Diagram 3

Measured from floor to top of seat tube at front of back post. Rear seat height is custom to needs.

### J. Center of Gravity Preset See Diagram 3

Measured from front of back post to center of rear axle. 0" indicates axle will be directly under back post.

### K. Rear Wheel Spacing See Diagram 1

Measured from outside of seat back to inside of rear tire. Adjustable out .5" from setting.

Diagram 1

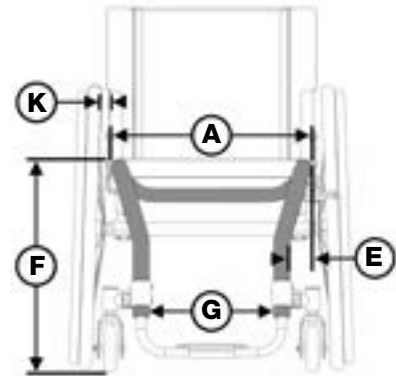


Diagram 2

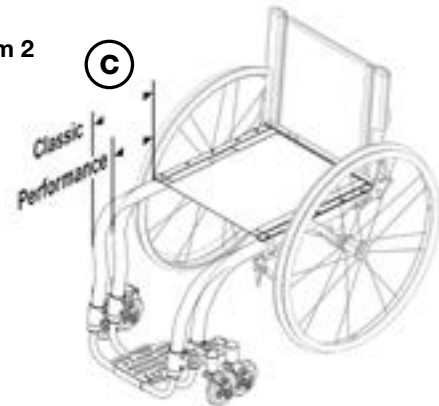
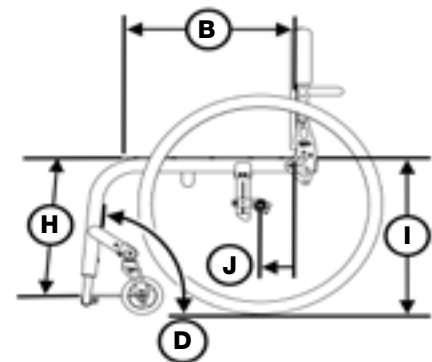


Diagram 3















## Axiom Back Accessories continued

### Lateral Support

Laterals for Posterior Back					Item Code	HCP	Pair	Each
Pair	Left	Right	Description					
<input type="checkbox"/>	<input type="checkbox"/>	<input type="checkbox"/>	3 x 4 Lateral Pads with Fixed Mounting Hardware for Axiom Posterior Back	LF3x4P	E0956	\$305	\$153	
<input type="checkbox"/>	<input type="checkbox"/>	<input type="checkbox"/>	4 x 5 Lateral Pads with Fixed Mounting Hardware for Axiom Posterior Back	LF4x5P	E0956	\$305	\$153	
<input type="checkbox"/>	<input type="checkbox"/>	<input type="checkbox"/>	3 x 4 Lateral Pads with Swing Away Mounting Hardware for Axiom Posterior Back	LS3x4P	E0956, E1028	\$650	\$325	
<input type="checkbox"/>	<input type="checkbox"/>	<input type="checkbox"/>	4 x 5 Lateral Pads with Swing Away Mounting Hardware for Axiom Posterior Back	LS4x5P	E0956, E1028	\$650	\$325	

### Laterals for Posterior Lateral Back

Pair	Left	Right	Description	Item Code	HCP	Pair	Each
<input type="checkbox"/>	<input type="checkbox"/>	<input type="checkbox"/>	3 x 4 Lateral Pads with Fixed Mounting Hardware for Axiom Posterior Lateral Back	LF3x4L	E0956	\$305	\$153
<input type="checkbox"/>	<input type="checkbox"/>	<input type="checkbox"/>	4 x 5 Lateral Pads with Fixed Mounting Hardware for Axiom Posterior Lateral Back	LF4x5L	E0956	\$305	\$153
<input type="checkbox"/>	<input type="checkbox"/>	<input type="checkbox"/>	3 x 4 Lateral Pads with Swing Away Mounting Hardware for Axiom Posterior Lateral Back	LS3x4L	E0956, E1028	\$650	\$325
<input type="checkbox"/>	<input type="checkbox"/>	<input type="checkbox"/>	4 x 5 Lateral Pads with Swing Away Mounting Hardware for Axiom Posterior Lateral Back	LS4x5L	E0956, E1028	\$650	\$325

### Lumbar Pads

*Available only with Axiom Lateral Back and Axiom Deep Lateral back*

	Description	Item Code	HCP	Retail
<input type="checkbox"/>	Lumbar Pad 12"	L12	K0108	\$48
<input type="checkbox"/>	Lumbar Pad 14"	L14	K0108	\$48
<input type="checkbox"/>	Lumbar Pad 16"	L16	K0108	\$48
<input type="checkbox"/>	Lumbar Pad 18"	L18	K0108	\$48
<input type="checkbox"/>	Lumbar Pad 20"	L20	K0108	\$48
<input type="checkbox"/>	Lumbar Pad 22"	L22	K0108	\$48

### Privacy Flap

	Description	Item Code	HCP	Retail
<input type="checkbox"/>	Privacy Flap 12"	PF12	K0108	\$45
<input type="checkbox"/>	Privacy Flap 14"	PF14	K0108	\$45
<input type="checkbox"/>	Privacy Flap 16"	PF16	K0108	\$45
<input type="checkbox"/>	Privacy Flap 18"	PF18	K0108	\$45
<input type="checkbox"/>	Privacy Flap 20"	PF20	K0108	\$45
<input type="checkbox"/>	Privacy Flap 22"	PF22	K0108	\$45

## Axiom Back Accessories continued

### Therafin Posture Support

*Selection of a modification from the Axiom Back Modifications section required in order to mount posture supports. Not available with Low Backs.*

	Description	Item Code	HCPC	Retail
<input type="checkbox"/>	Small Static Therafit 2-Piece Chest Strap with H & L Adj and 1" Safety Strap	60153T	E0960	\$144
<input type="checkbox"/>	Medium Static Therafit 2-Piece Chest Strap with H & L Adj and 1" Safety Strap	60154T	E0960	\$144
<input type="checkbox"/>	Large Static Therafit 2-Piece Chest Strap with H & L Adj and 1" Safety Strap	60155T	E0960	\$144
<input type="checkbox"/>	Small Dynamic Therafit Chest Strap with Dual D-Ring Adjustment	60110T	E0960	\$113
<input type="checkbox"/>	Medium Dynamic Therafit Chest Strap with Dual D-Ring Adjustment	60111T	E0960	\$113
<input type="checkbox"/>	Large Dynamic Therafit Chest Strap with Dual D-Ring Adjustment	60112T	E0960	\$113
<input type="checkbox"/>	Small Dynamic Therafit Comfortfit Full Vest	30589T	E0960	\$167
<input type="checkbox"/>	Medium Dynamic Therafit Comfortfit Full Vest	30590T	E0960	\$167
<input type="checkbox"/>	Large Dynamic Therafit Comfortfit Full Vest	30591T	E0960	\$167
<input type="checkbox"/>	XLarge Dynamic Therafit Comfortfit Full Vest	30592T	E0960	\$167
<input type="checkbox"/>	XXLarge Dynamic Therafit Comfortfit Full Vest	30593T	E0960	\$167
<input type="checkbox"/>	Small Dynamic Therafit Comfortfit Trim Vest	30618T	E0960	\$169
<input type="checkbox"/>	Medium Dynamic Therafit Comfortfit Trim Vest	30619T	E0960	\$169
<input type="checkbox"/>	Large Dynamic Therafit Comfortfit Trim Vest	30620T	E0960	\$169
<input type="checkbox"/>	XLarge Dynamic Therafit Comfortfit Trim Vest	30621T	E0960	\$169
<input type="checkbox"/>	XXLarge Dynamic Therafit Comfortfit Trim Vest	30622T	E0960	\$169

## Axiom Back Modifications

*Extended lead times will apply for all modifications*

### Axiom Back Modifications

*Choose modification to add holes to the back shell in order to mount posture supports. Not available with Low Backs.*

	Description	Item Code	HCPC	Retail
<input type="checkbox"/>	Modification for 4 Point Harness	AXM4PT	K0108	N/C
<input type="checkbox"/>	Modification for 2 Point Chest Strap	AXM2PT	K0108	N/C
<input type="checkbox"/>	Modification for Shoulder Guides <i>Includes shoulder guides</i>	AXMSG	K0108	\$50

### Painted Back Shell Modification

*If no selection is made, standard Shadow Black will be used with no additional lead time*

	Gloss Finish	Item Code	Retail
<input type="checkbox"/>	Black	AXMBLK	N/C
<input type="checkbox"/>	Blue Skies	AXMSKY	N/C
<input type="checkbox"/>	Bubblegum Pink	AXMPNK	N/C
<input type="checkbox"/>	Candy Blue	AXMCBL	N/C
<input type="checkbox"/>	Candy Purple	AXMPUR	N/C
<input type="checkbox"/>	Candy Red	AXMRED	N/C
<input type="checkbox"/>	Copper	AXMCOP	N/C
<input type="checkbox"/>	Granny Smith	AXMGSM	N/C
<input type="checkbox"/>	Metallic Orange	AXMMOR	N/C
<input type="checkbox"/>	Silver	AXMSIL	N/C
<input type="checkbox"/>	Teal	AXMTEA	N/C
<input type="checkbox"/>	Yellow	AXMYLW	N/C

	Matte Finish	Item Code	Retail
<input type="checkbox"/>	Charcoal Gray	AXMCGM	N/C
<input type="checkbox"/>	Emerald Green	AXMEGM	N/C
<input type="checkbox"/>	Iridescent Burgundy	AXMIBM	N/C
<input type="checkbox"/>	Iridescent Navy	AXMINM	N/C
<input type="checkbox"/>	Military Green	AXMAGM	N/C
<input type="checkbox"/>	Retro Red	AXMRRM	N/C
<input type="checkbox"/>	Royal Blue	AXMRBM	N/C
<input type="checkbox"/>	Smooth White	AXMSWM	N/C