

IMPORTANT INFORMATION

- ▲ Rated load is 850 pounds. **Never exceed rated load.**
- ▲ Read and follow all labels, instructions, safety and maintenance information before use.
- ▲ For additional care, use or safety information, or to obtain replacement copies, please call 1-800-451-1903 or visit www.ezaccess.com.
- ▲ Do not use if ramp is damaged or unstable.
- ▲ For wheelchairs and scooters only (not intended for commercial use).
- ▲ Ramp may be slippery when wet or icy.
- ▲ Use only if sufficient maneuvering room is available at both ends of the ramp to assure safe travel when entering and exiting the ramp.
- ▲ Use ramp only with a qualified helper and always use your lap belt.
- ▲ It is important that you refer to your equipment's (wheelchair or scooter) User Guide for the proper degree of incline or decline and chair direction before attempting ramp use. **Never exceed its recommendations.**

FITTING AN ANGLED ENTRY MAT

1. Mat can be easily trimmed to accommodate lower heights and narrower widths and, if necessary, notched to suit the doorjamb configuration.
2. If door threshold is equal to the height of the mat, use Angled Entry Mat as is.
3. If door threshold is less than the height of the mat, trim mat to the desired height as shown in FIG. 1 (serrations in the bottom of the mat can be used as a guide).
 - ▲ Use caution when operating any non-manual saw as serious injury may result due to unexpected binding or pinching of rubber mat material. Always follow tool manufacturer's safety guidelines.

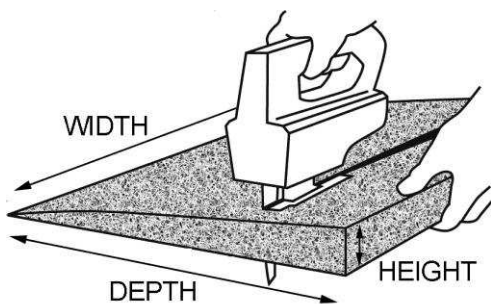


FIG. 1

FASTENING THE MAT TO THE LANDING

It is recommended that the mat be securely fastened.

1. **ATTACHING TO WOOD**
 - a. Place mat in desired location and ensure that surface is free of dirt and debris.
 - b. Fasten mat using supplied Phillips head screws (two each). Space screws evenly (see FIG. 2 for placement) and drive until head is ¼" below the mat surface.
2. **ATTACHING TO CONCRETE**
 - a. Place mat in desired location and ensure that surface is free of dirt and debris.
 - b. Using a ¼" diameter masonry bit, drill a hole 2" deep 1" from the edges of the corners at the taper as shown in FIG. 2.
 - ☞ Ensure the holes are free of any residue.
 - c. Drive the supplied ¼" diameter mushroom head pin anchors (two each) into the holes with a hammer until the head is seated.

SAFETY AND MAINTENANCE

1. At all times, keep mat clear of snow, ice, dirt, leaves, and other debris that may accumulate on the surface.
2. Clean mat with mild soap and warm water. Rinse well and use extra caution when mat surface is wet.

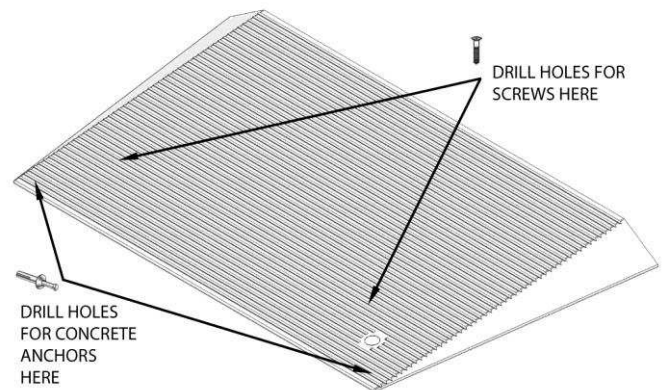


FIG. 2