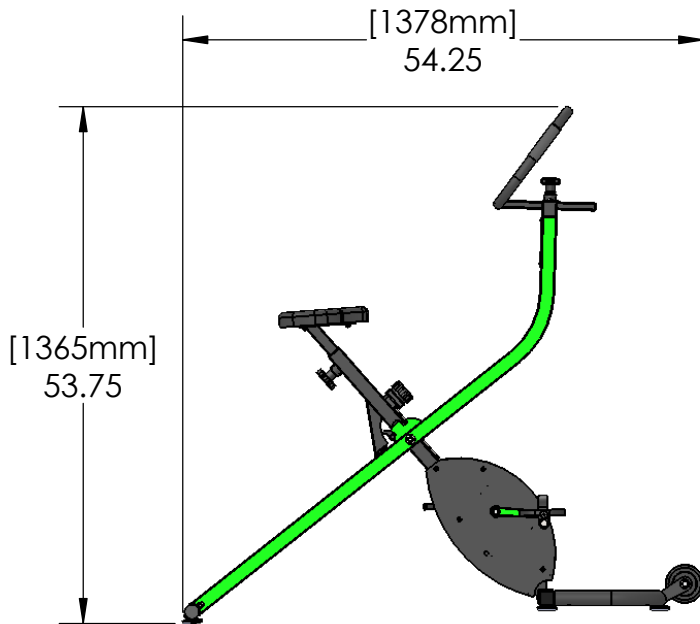
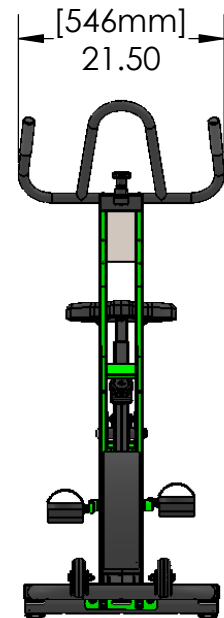


# TIDALWAVE POOL BIKE

PATENT PENDING



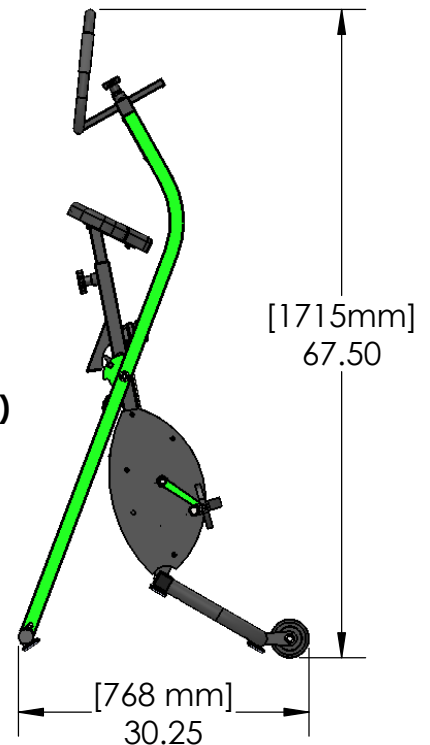
**SIDE VIEW**



**FRONT VIEW**

## **SPECIFICATIONS**

**FRAME: TYPE 304 & 316 STAINLESS STEEL**  
**FINISH: POLYESTER POWDER COAT - BLACK WITH ACCENT COLOR**  
**FLYWHEEL: 316 STAINLESS STEEL**  
**CRANK: STAINLESS STEEL ROD WITH BRONZE BUSHINGS**  
**STORAGE: QUICK-FLIP LATCH FOR EASY STORAGE**  
**SEAT: 5 HEIGHT ADJUSTMENT SETTINGS**  
**POOL DEPTH: 3-5 (0.9-1.5 METERS) FEET FOR OPTIMAL USE**  
**WEIGHT: 55LBS (25kg)**  
**WEIGHT CAPACITY: 300LBS (136kg)**  
**WARRANTY: 3 YEARS FOR FRAME (NOT INCLUDING POWDER COAT)**  
**1 YEAR FOR PARTS & TRANSMISSION**




**Aqua Creek Products**  
The Total Solution for Pool and Spa Access

**9889 GARRYMORE LANE**  
**MISSOULA, MT 59808**  
**(406) 549-0769**  
**FAX (406) 549-2602**

NOTE:  
\*SPECIFICATIONS ARE SUBJECT TO CHANGE WITHOUT NOTICE

PRODUCT:		<b>F-TWPB</b>	
DWG #:		<b>F-TWPB-1</b>	
SCALE:	<b>1:20</b>	DATE:	<b>12/14/15</b>
DRAWN BY:	<b>KR</b>	REVISION:	<b>B</b>