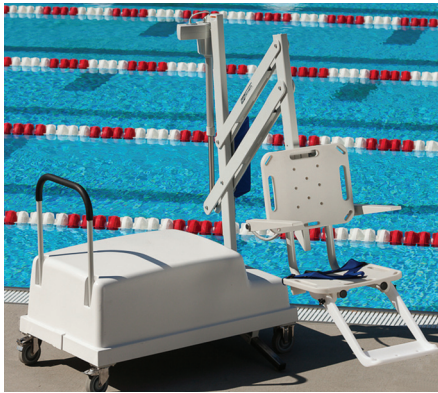


PAL2



The fixed portable PAL2 pool lift features a sleek, modern design and attractive matte finish. It comes standard with our Secure-It Kit which allows the lift to be fixed to the deck.

- Third-party tested and verified ADA compliant
- 300 lb/136 kg lifting capacity
- Easy to move by one person
- LiftOperator® Intelligent Controller conveniently located on the mast – includes 24 Volt rechargeable batter
- 240° rotation helps ensure safe transfer
- Powder-coated stainless steel and aluminum construction



* LiftOperator is easily secured to the mast using the star wrenches provided in the accessory kit. Refer to the owner's manual at www.srsmith.com for more details.

Lift Color



Due to printing technology actual color may differ.

Secure-It Kit



200-1090A

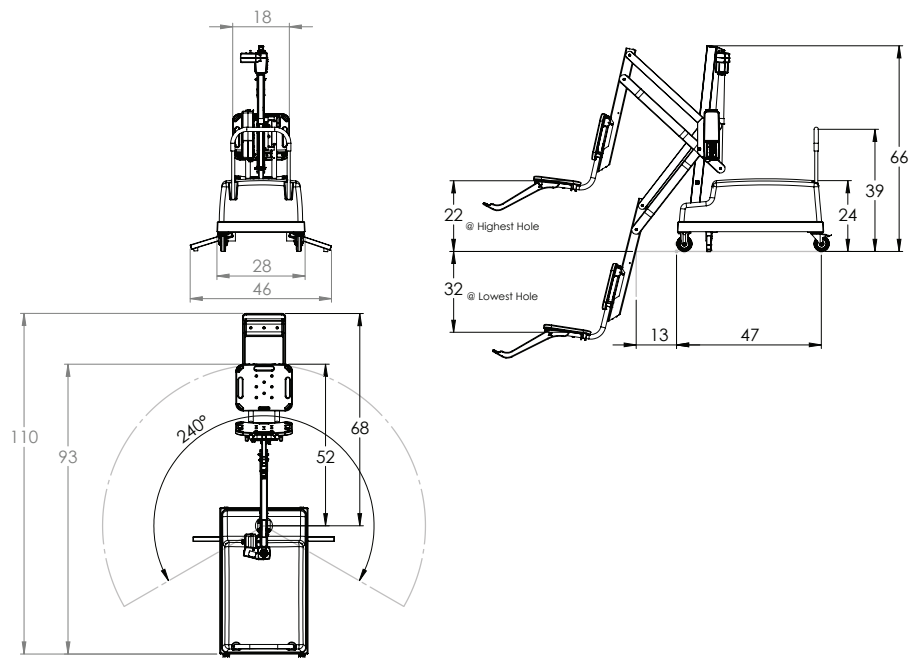
Model No.	Description	Shipping – (Class 85)			
		Weight	Length	Width	Height
202-0000	PAL2	1200 lbs	40"	49.5"	57"
202-0000K	PAL2 Activation Key	1200 lbs	40"	49.5"	57"
202-0005	PAL2 with armrests (California Compliant)	1205 lbs	40"	49.5"	57"
202-0005K	PAL2 with armrests, Activation Key (California Compliant)	1205 lbs	40"	49.5"	57"

Notes:

- Includes battery, charger, battery console cover, water-resistant hand control, footrest, seatbelt assembly, and Secure-It Kit

Parts & Accessories:

- 170-2320 Arm Rest Assembly
- 500-1000 Spineboard Attachment
- 920-5000 PAL Series Cover
- 1001495 Battery
- 900-2000 Stability Vest
- 900-4000 Seat Pad
- 200-1090A PAL Secure-It Kit
- 970-0000 Seat Saver Cover



A completed Deck Profile form is required with your pool lift order.

