

# OUTLANDER

## Exterior Lifts

Outlander Outlander DE Outlander XL Outlander LP Outlander TM

Platform type	Full Platform	Double Entry	Quad XL	Low-Profile	Travel Mobility Scooter
Base weight lift	93 lbs. <sup>1</sup>	88 lbs. <sup>1</sup>	103 lbs. <sup>1</sup>	10" -76 lbs. <sup>1</sup> 14" -75 lbs. <sup>1</sup>	76 lbs. <sup>7</sup>
Mobility device overall weight	380 lbs. <sup>4,5</sup>	380 lbs. <sup>4,5</sup>	380 lbs. <sup>4,5</sup>	350 lbs. <sup>4,5</sup>	150 lbs.
Maximum product width	28"	27"	27"	27"	24"
Maximum travel distance from the ground	20"	20"	20"	21"	21"
Motor	Sealed 12 volt DC	Sealed 12 volt DC	Sealed 12 volt DC	Sealed 12 volt DC	Sealed 12 volt DC
Overall platform length	49.25" (41" usable surface)	51" (42" usable surface)	56.75" (49" usable surface)	19"	37"
Warranty	3-year transferable	3-year transferable	3-year transferable	3-year transferable	3-year transferable
Hitch Class	Class II <sup>2</sup> , III <sup>6</sup> , IV <sup>4</sup>	Class II <sup>2</sup> , III <sup>6</sup> , IV <sup>4</sup>	Class II <sup>2</sup> , III <sup>6</sup> , IV <sup>4</sup>	Class II <sup>2</sup> , III <sup>6</sup> , IV <sup>4</sup>	Class II <sup>8</sup> , III <sup>6</sup> , IV <sup>4</sup>
Vehicle platform	Full-size van, Mini-van, Truck, Sedan, SUV and Crossover	Full-size van, Mini-van, Truck, Sedan, SUV and Crossover	Full-size van, Mini-van, Truck, Sedan, SUV and Crossover	Full-size van, Mini-van, Truck, Sedan, SUV and Crossover	Full-size van, Mini-van, Truck, Sedan, SUV and Crossover

# OUTLANDER

## Exterior Lifts



For the latest vehicle and product compatibility information, visit **"Find My Compatible Lift"** at [prideliftsandramps.com](http://prideliftsandramps.com) or call for more information.

1. Weight does not include any accessories.
2. 190 lbs. maximum product weight with a Class II hitch.
3. Call for details when lifting units with power positioning systems.
4. Standard Class IV receiver only.
5. Vehicle requires Class IV hitch with a tongue weight of at least 500 lbs.
6. 350 lbs. maximum product weight with a Class III hitch.
7. Does not include any accessories or hardware.
8. Hitch weight carrying capacity varies by vehicle. Call for details.

# OUTLANDER

## Exterior Lifts



For more applications, see **"Find My Compatible Lift"** at [prideliftsandramps.com](http://prideliftsandramps.com).

The information contained herein is correct at the time of publication; we reserve the right to alter specifications without prior notice.

## Pride Lifts & Ramps

[www.prideliftsandramps.com](http://www.prideliftsandramps.com) • [www.pridemobility.com](http://www.pridemobility.com)  
(800) 800-8586 (U.S.) • (888) 570-1113 (Canada)

## Pride Lifts & Ramps

[www.prideliftsandramps.com](http://www.prideliftsandramps.com) • [www.pridemobility.com](http://www.pridemobility.com)  
(800) 800-8586 (U.S.) • (888) 570-1113 (Canada)

# OUTLANDER

## Exterior Lifts

Outlander Exterior Lifts from Pride® Lifts and Ramps were designed to provide a durable, easy-to-use system to take your power chair or scooter with you. Simple, hitch-based installation requires little to no modification of your vehicle and allows for easy removal.

- 380 lbs. lifting capacity\* / 350 lbs. lifting capacity for LP model / 150 lbs. lifting capacity for TM model
- Standard license plate holder
- 3-year transferable warranty
- Drive-on/drive-off platform allows user to enter from either direction
- Easy-to-use, 3-point tie down system with one-handed, black ratcheting straps
- Lock-down arm available for use with scooters
- Optional Power Dock for use with power chairs\*\*
- Standard adjustable wheel chocks
- Manual override
- Can lift a wide variety of Pride® Power Chairs, Scooters and other manufacturers' mobility devices
- Shock-absorbing "cradle effect" protects power chairs from jarring vibrations
- Optional battery pack means no vehicle hardwiring\*\*\*
- Optional swing-away adaptor for easy access to your trunk, lift gate or tailgate\*\*\*\*



Standard adjustable wheel chocks



One-handed, black ratcheting straps



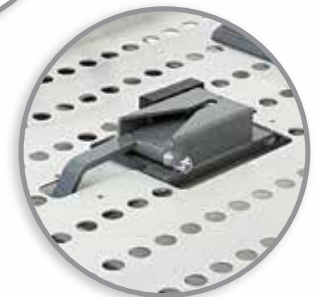
Lock-down arm



Optional swing-away adaptor



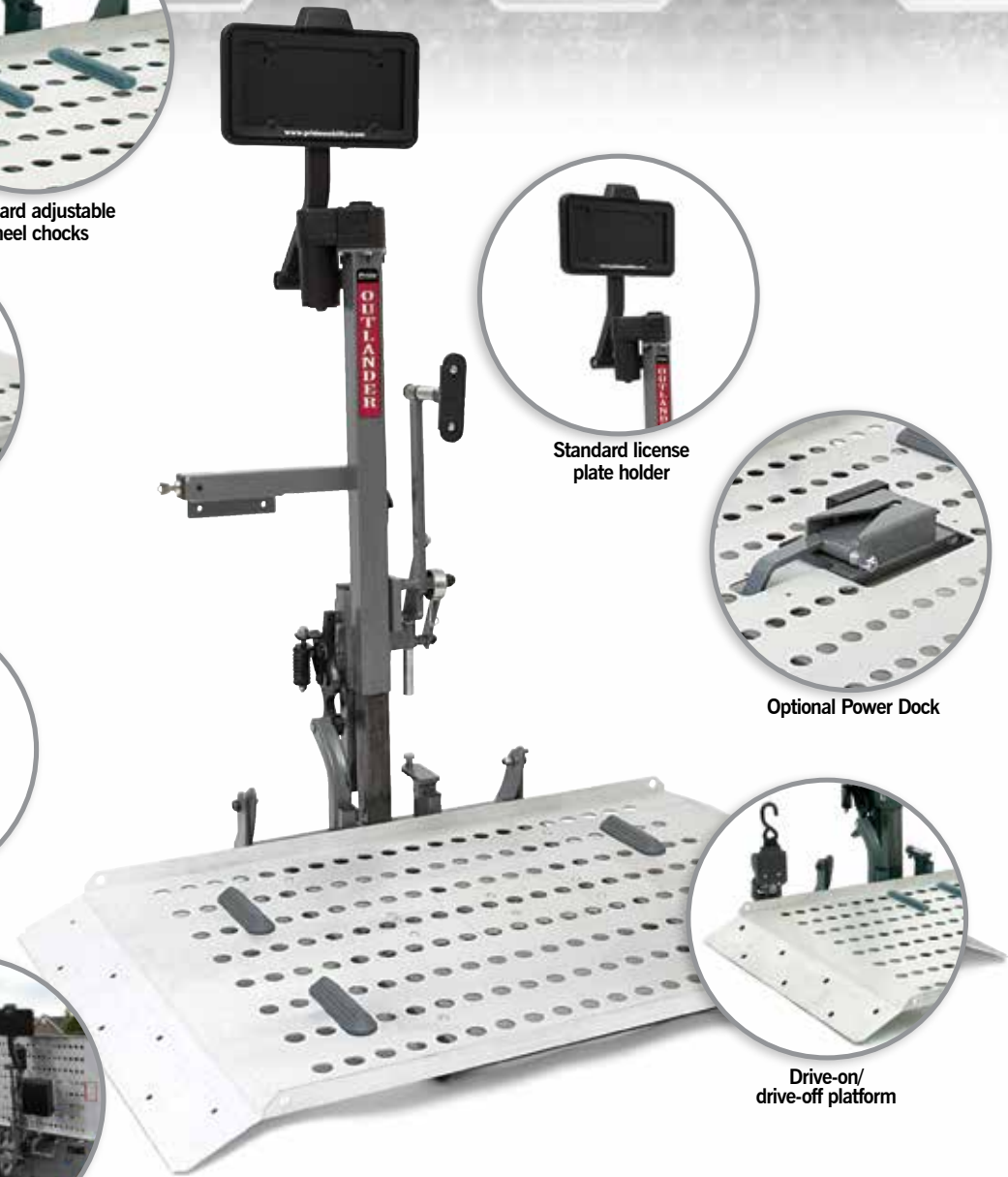
Standard license plate holder



Optional Power Dock



Drive-on/drive-off platform



\* Vehicle requires Class IV hitch with a tongue weight of at least 500 lbs.

\*\* Power Dock adapter for power chairs required.

\*\*\* Not available on the TM model.

\*\*\*\* Compatible with Class II, III or IV hitch receivers.