

# Invacare® Top End® Preliminator™ Stock Racing Wheelchair

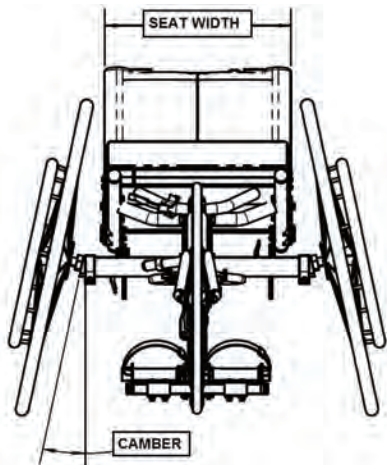
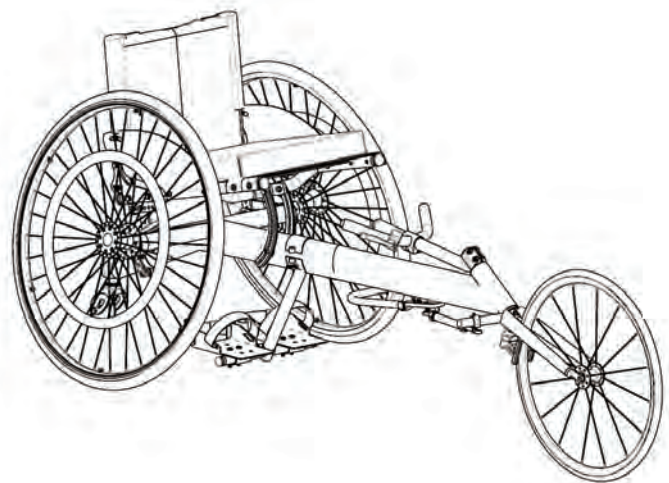


PROVIDER / CUSTOMER INFORMATION:			
Provider Information:		End User Information:	
Date:	Name:	Height:	
IVC Acct #:	Ship to Address:	Weight (lbs.):	
Contact:	Address Line 2:	Leg Length (in.):	
Phone #:	City:	Hip Width (in.):	
Fax/Email:	State:	Zip:	Phone #:
<input type="radio"/> Ship to Provider		<input type="radio"/> Ship to End User	
		Email:	
ORDER REQUEST TYPE:			
<input type="radio"/> Quote		<input type="radio"/> Order	
		PO #	<input type="text"/>

BASE MODEL:		
<input checked="" type="radio"/> 10028	Top End Preliminator Stock Model	\$3,579

Assembly: <i>(see definitions)</i>		
<input checked="" type="radio"/> 10048	Assembled	\$0

SIZING: <i>(see definitions for adjustable seat depths)</i> <i>(see diagram below)</i>			
SEAT WIDTH:			
<input type="radio"/> 15013	14" SW - White Snow: "Junior Varsity"	\$0	
<input type="radio"/> 15017	16" SW - Simple Red: "Varsity"	\$0	
<input type="radio"/> 15021	18" SW - Royal Blue: "Adult"	\$0	



CAMBER ANGLE: <i>(see diagram above)</i>		
<input checked="" type="radio"/> 45006	12 Degree Camber	\$0

AXLES:		
<input checked="" type="radio"/> 50400	Quick Release Axles	\$0

AXLE POSITION:		
<input checked="" type="radio"/> 15243	2.75" to 5.75" Adjustable Axle Position	\$0

WHEELBASE: <i>(see definitions)</i>		
<input checked="" type="radio"/> 75086	48" Wheelbase	\$0

WHEEL SETS:		
FRONT WHEEL:		
<input checked="" type="radio"/> 50145	20" Metal Spoked <i>(Tubular)</i>	\$0
REAR WHEELS:		
<input checked="" type="radio"/> 50003	26" (590) High Performance <i>(Clincher)</i>	\$0
FRONT TIRE:		
<input checked="" type="radio"/> 50405	20" Panaracer <i>(Tubular)</i>	\$0
REAR TIRES:		
<input checked="" type="radio"/> 50202	26" (590) Primo, Grey <i>(Clincher)</i>	\$0

PUSHRIMS: <i>(see definitions)</i>		
<input checked="" type="radio"/> 50404	15" Diameter Pushrims	\$0

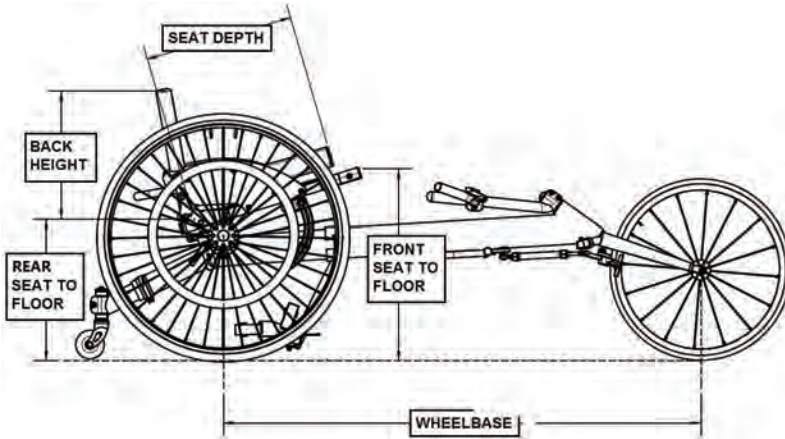
**Invacare Corporation Top End Division**

All rights reserved. Trademarks are identified by the symbols ™ and ®. All trademarks are owned by or licensed to Invacare Corporation unless otherwise noted. Specifications and prices are subject to change without notification.  
©2015 Invacare Corporation

# Invacare® Top End® Preliminator™ Stock Racing Wheelchair



SIZING: (see diagram below)		
FRONT SEAT TO FLOOR:		
<input checked="" type="radio"/> 15360	Adjustable, 17.0" - 21.0" (1/2" increments)	\$0
REAR SEAT TO FLOOR:		
<input checked="" type="radio"/> 15359	Adjustable, 13.5" - 15.0" (1/2" increments)	\$0
BACK HEIGHT:		
<input checked="" type="radio"/> 15136	Adjustable, 11.0" - 14.0" (1" increments)	\$0



ACCESSORIES: (see definitions - may require self installation)		
SAFETY:		
<input type="radio"/> 25073	Safety Flag and Mount	\$60
POSITIONING:		
<input type="radio"/> 25001	Click Strap, 8" Small	\$90
<input type="radio"/> 25002	Click Strap, 10" Medium	\$97
<input type="radio"/> 25003	Click Strap, 12" Large	\$109
PERFORMANCE ENHANCEMENT:		
<input type="radio"/> 25024	Cordless Computer (tracks speed, distance, etc.)	\$120
<input type="radio"/> 25022	Wheel Alignment Gauge	\$259
<input type="radio"/> 25076	Garmin (tracks speed, distance, etc.)	\$602

STEERING:		
STEERING HANDLE:		
<input checked="" type="radio"/> 65120	Horizontal Steering Handle	\$0
TRACK CONTROL:		
<input checked="" type="radio"/> 65115	Triangle Track Control	\$0
TRACK CONTROL MOUNT:		
<input checked="" type="radio"/> 65111	Bottom Mount	\$0

FOOTREST:		
<input checked="" type="radio"/> 60070	Clamp-On Footrest, Adjustable	\$0

ANTI - TIP:		
<input checked="" type="radio"/> 20064	Telescoping, Adjustable Height Anti-Tip	\$0

SIDE GUARDS:		
<input checked="" type="radio"/> 20014	Screw-on, Aluminum Side Guards	\$0

UPHOLSTERY:		
MATERIAL & COLOR:		
<input checked="" type="radio"/> 30001	Nylon, Black Upholstery	\$0
SEAT UPHOLSTERY:		
<input checked="" type="radio"/> 30019	Screw-on Seat Upholstery	\$0
<input checked="" type="radio"/> 25060	Hook and Loop Positioning Strap	\$0
BACK UPHOLSTERY:		
<input checked="" type="radio"/> 30012	Adjustable Tension Back Upholstery	\$0
SEAT CUSHION:		
<input checked="" type="radio"/> 25063	2" Soft Seat Cushion	\$0

DEFINITIONS:	
<b>Assembly and Shipping:</b>	Arrives factory assembled, rear wheels and some accessories will need to be installed. Shipping rate is \$150 for all shipments in the continental US. Freight quotes for shipments outside the continental US are available upon request.
<b>Pushrims:</b>	Pushrims are made of 3/4" Aluminum tubing with textured finish.
<b>Adjustable Seat Depth:</b>	Seat depth is adjustable by adding or removing seat depth extension strap. - For the "Junior Varsity", "Varsity" and "Adult" the seat depth is 13" and can be adjusted to 15" and 17" The adjustments are made using the removable seat depth extension straps which are included.
<b>Wheelbase:</b>	Measured from rear axle to front axle.
<b>Accessories:</b>	All Accessories are boxed separately and require self installation.

### Warranty Info:

Invacare warrants the frames and forks when purchased new and unused to be free from defects in materials and workmanship for a period of two (2) years from the date of purchase from Invacare or a dealer, with a copy of the seller's invoice required for coverage under this warranty. Invacare warrants the upholstered materials (seat and back) and remaining components of this product when purchased new and unused to be free from defects in materials and workmanship for a period of thirteen (13) months from date of purchase from Invacare or a dealer, with a copy of the seller's invoice required for coverage under this warranty.