

TiLite AERO Z Order Form

Effective March 5, 2018 (New Items in Red)

MONO-TUBE RIGID FRAME

Page 1 of 7

DEALER INFORMATION		RTS INFORMATION	
Dealer:	Account #:	RTS:	Phone:
PO:	Ordered By:	Email:	
Email:		SHIP TO INFORMATION	
Mark For:		Name:	Ship Via:
TiLite Sales Rep:		Address:	
TiLite Information:	Promo Code:	City:	State: Zip:
Ship Date:	Order #:	Phone:	Fax:

Please Email or Fax to the TiLite Customer Service Team at orders@tilite.com or 866.586.2413 / 509.586.2413

FRAME STYLE

- AZFS1 **Aero Z Aluminum Frame** (Full Adjustability. 265 Pound Weight Limit. Weight Limit is restricted to 150 pounds on chairs with Rear Seat Width **A** and Seat Depth **B** from 10"x10" to 12"x12".).....**\$2,655** **K0005**
- Z2FS2 **ZRA Titanium Frame** (Full Adjustability. 265 Pound Weight Limit. Weight Limit is restricted to 150 pounds on chairs with Rear Seat Width **A** and Seat Depth **B** from 10"x10" to 12"x12".).....**\$1,395**
- Z2FS1 **ZR Titanium Frame Ultimate TiFIT** (ZRA Titanium Frame required. Minimal Adjustability. 265 Pound Weight Limit. Weight Limit is restricted to 150 pounds on chairs with Rear Seat Width **A** and Seat Depth **B** from 10"x10" to 12"x12".).....**\$435**
- ZMAXSD1 **Permobil Smart Drive MX2+****\$7,131** **E0986**
- ZMAXSD2 **PushTracker Size** Small Medium Large.....**STD**
- ZMAXSD4 **Carrying Bag****\$78**
- ZMAXSD5 **Thumb Throttle Buttons****\$437**

TiLite Special Editions If selecting one of the TiLite Special Edition Upgraded Component Packages, you must still fill out the entire order form. Edition options will override inconsistent selections. Options cannot be added or deleted.

CE1 Carbon Edition

- ACB1 ROHO AGILITY™ Carbon Back Upgrade(Click here to view the TiLite Seating Order Form.).....**\$1,090**
- ZSB5 Carbon Fiber TiShaft™ Back Release Bar (Not available with Non-Folding, Fixed Height Titanium Back.).....**\$75**
- ZRW16 Spinergy Carbon Blade (Not available with Heavy Duty Frame, Natural-Fit or Natural-Fit LT with Standard Grip or Super Grip.).....**\$1,480**
- Side Guards**(Please select one style on page 6.)
- ZSDG7 Rigid Removable**\$310**
- ZSDG8 Quad Removable w/Hole**\$320**
- ZSDG11 Fendered Adjustable (Available with 24" and 25" Rear Wheels. Requires Rear Seat Height **D** of 14.5" to 18.5".).....**\$565**
- ZSDG12 Fendered Removable.....**\$455**
- Retail: \$2,955 - \$3,210**
- Carbon Edition Price: \$2,835**

ZP1 SuperLite Edition

- ZFTR1 Titanium Footrest w/Flat ABS Cover.....**\$200**
- OR**
- ZFTR2 Titanium Open Loop Footrest.....**\$255**
- ZSB2 Folding Titanium Backrest.....**\$255**
- ZSB5 Carbon Fiber TiShaft™ Back Release Bar.....**\$75**
- ZCBR6 Titanium Camber Tube or Aluminum Camber Tube.....**\$200**
- ZFK2 TiLite Slipstream Single-Sided Fork.....**\$170**
- ZTFS1 Titanium Fork Stem.....**\$60**
- Retail: \$960 - \$1,050**
- SuperLite Edition Price: \$865**

- ZP5 **Black Edition** Not available with Aero Z Frame. (Black Edition includes: Black Lava Frame Color, Black Anodize Package, LiteSpeed Front Wheels (Must Choose Front Wheel Size on Page 5, Carbon Fiber TiShaft™ Back Release Bar and TiLite Slipstream Single-Sided Fork.)**\$1,085**

Exclusive To The Black Edition

- Black on Black Tattoo
- Black Lava Footrest
- Diamond Embossed Ultrasuede Backrest Stripe w/Black TiLite Logo



- ZHDR1 **Heavy Duty Frame** (300 Pound Weight Limit. No charge when 20" Rear Seat Width **A** and 20" Seat Depth **B** are selected. Includes Tension Adjustable by Straps Back Upholstery. Requires Angle Adjustable Footrest, Folding Aluminum Adjustable Height Backrest, Aluminum Front Wheels, Shadow or Spinergy Spox. LX Rear Wheels only available with 0 or 2 degree camber. Not available with Aero Z, SuperLite Edition, Slipstream Fork, Velcro Adjustable Upholstery, Swing Away Tubular Armrest or Swing Away Flip Back Tubular Armrest.).....**\$435**
- ZPWR1 **Power Adaptable Frame for Frank Mobility System** (No charge when 20" Rear Seat Width **A** and 20" Seat Depth **B** are selected. Requires LiteSpeed Billet Aluminum Front Wheels and 0 degree camber. Not available with Single-sided forks, or Titanium Camber Tubes.).....**\$340**
- ZRFR1 **Reinforced Frame** (No charge when Heavy Duty Frame or 20" Rear Seat Width **A** and 20" Seat Depth **B** are selected.) ...**\$340**



permobilus.com
 2701 West Court Street | Pasco, Washington 99301
 509.586.6117 Tel | 800.545.2266 Toll-Free
 509.586.2413 Fax | 866.586.2413 Toll-Free Fax

TRANSIT OPTION

(Please refer to the [ZRA Transit Tie-Down Option Brochure](#) for important information regarding the Transit Tie-Down Option. Not available with ZR.)

- ZTTDO3 Transit Tie-Down (Consists of four Tie-Down Brackets, two Pelvic Belt Mounting Brackets and Reinforced Frame.).....\$335
- (Please refer to the [ZR Transport Brackets Supplement](#) for important information regarding the Transit Options. Not available with Aero Z or ZRA.)
- ZWTB Transport Bracket Option (Consists of four Tie-Down Brackets. Unoccupied Use Only.).....\$350

FRAME FINISHES

- ZFF1 Satin (Available with Titanium Frame only.).....**STD**
- ZSCBT1 Satin Finish Buffing Pads.....**\$20**
- ZFF2 Polished**\$795**
- ZFF3 Tattooed Titanium™ and Aluminum (Tattoos on front frame tubes. Titanium frame finished in Satin. Aluminum frame is tattooed on blasted aluminum with a clear coat. Tattoos will be trimmed and adjusted to fit your frame.).....**\$335**



ZFF45 Need For Speed



ZFF44 Flower Garden



ZFF46 Neon Dreams



ZFF43 Mosaic

- | | | | |
|-----------------------------|--|---|--|
| High Gloss Paint | ZFF8 <input type="checkbox"/> Super Wet Black | ZFF10 <input type="checkbox"/> TiLite Red | ZFF29 <input type="checkbox"/> Neon Pink |
| Metallic Paint | ZFF14 <input type="checkbox"/> Ocean Blue Metallic | ZFF15 <input type="checkbox"/> Tangerine Metallic | ZFF30 <input type="checkbox"/> Acid Green Metallic |
| Pearlescent Paint | ZFF17 <input type="checkbox"/> Midnight Blue Pearl | ZFF18 <input type="checkbox"/> White Pearl | |
| Matte Paint | ZFF19 <input type="checkbox"/> Black Lava | ZFF27 <input type="checkbox"/> Titanium Grey | |
| Candy Paint | ZFF22 <input type="checkbox"/> Ruby Red | ZFF23 <input type="checkbox"/> Azure Blue | ZFF25 <input type="checkbox"/> Electric Plum |
| Matte Textured Paint | ZFF40 <input type="checkbox"/> Hyper Blue | ZFF41 <input type="checkbox"/> Flame Orange | ZFF42 <input type="checkbox"/> OD Green STD |

COLOR ANODIZE PACKAGE

(Color Anodize Package includes: Aluminum Camber Tube (Color Anodize not available with Power Adaptable Camber Tube), Camber Mount, Footrest Clamp, Caster Mount, Caster Fork, Caster Cap and Agility Carbon Back clamps. If no anodize color is selected, the default will be black.)

- ZANO1 Black.....**STD**
- ZANO5 Sapphire ZANO3 Red Pepper ZANO6 Burnt Orange
- ZANO8 Ultraviolet ZANO9 Fuchsia.....**\$170**

TIFIT®: TAILORED INDIVIDUALIZED FRAME

REAR SEAT WIDTH A Measure from outside of seat tube at back post to the outside of the opposite seat tube at back post.

- ZSW1 10" 11" 12" 13" 14" 15" 16" 17" 18" 19".....**STD**
- ZSW2 20".....**\$495**

FRONT SEAT WIDTH (SEAT TAPER) B Measure from inside of front frame tube to inside of opposite front frame tube. (Required with V-Front End V. Not Available with Standard Front End U.)

- ZFSW1 No Taper (2.5" Narrower than Rear Seat Width A.).....**STD**
- ZFSW3 1.5" Taper (4" Narrower than Rear Seat Width A. Includes Tension Adjustable by Straps Seat Upholstery. Not available with 10" and 11" Seat Widths A.).....**\$280**
- ZFSW5 2.5" Taper (5" Narrower than Rear Seat Width A. Includes Tension Adjustable by Straps Seat Upholstery. Not available with 10" to 14" Seat Widths A.).....**\$280**

SEAT DEPTH C Measure from front of back post to the front edge of seat sling. Frame bend will start .5" in front of seat sling unless Custom Frame Depth is specified or the combination of specifications affects the rolling dynamics of the chair."

- ZSD1 10" 11" 12" 13" 14" 15" 16" 17" 18" 19".....**STD**
- ZSD2 20".....**\$525**

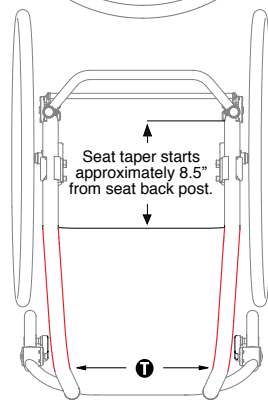
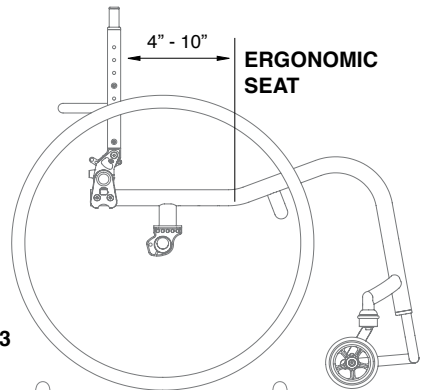
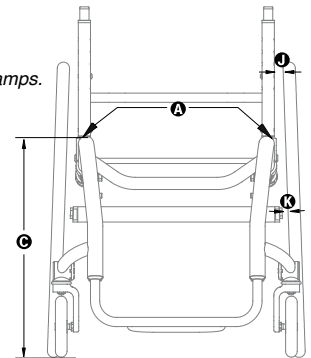
ZSD3 Custom Frame Depth: _____" Frame Depth Longer or Shorter Than Seat Depth D (Measure from front of seat sling to beginning of frame bend. Specifications can be given as specific as 1/4" increments. A negative Custom Frame Depth requires Tension Adjustable by Strap seat upholstery. A Custom Frame Depth of 20" is \$490.)**NCO**

ERGONOMIC SEAT Measure from front of back post to beginning of upward bend of seat tube. See Ergonomic Seat diagram on Page 2. (Not available with Aero Z, ZRA, Tension Adjustable Bolt On Seat Upholstery.)

- ZERG1 4" 5" 6" 7" 8" 9" 10"**\$340**

FRONT SEAT HEIGHT G Measure from floor to top of seat tube at front of seat sling. ZRA adjusts up and down in 1/2" increments.

- ZFSH1 16" 16.5" 17" 17.5" 18" 18.5" 19" 19.5" 20" 20.5" 21".....**STD**

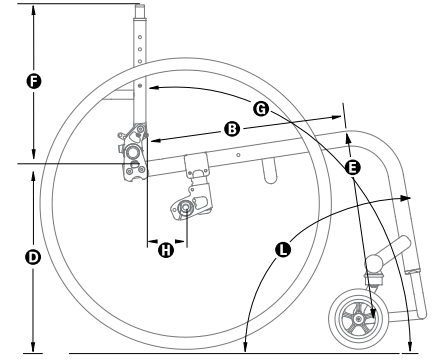


TIFIT®: TAILORED INDIVIDUALIZED FRAME

REAR SEAT HEIGHT ① Measure from floor to top of seat tube at back post. ZRA adjusts up and down in 1/2" increments.

REAR SEAT HEIGHT RANGES

Rear Wheel Size	ZRA Rear Seat Heights ①					
20"	12.5" - 18.5"					
22"	14.0" - 19"	ZRSH1	<input type="checkbox"/> 12.5"	<input type="checkbox"/> 13"	<input type="checkbox"/> 13.5"	<input type="checkbox"/> 14"
24"	14.5" - 20"		<input type="checkbox"/> 14.5"	<input type="checkbox"/> 15"	<input type="checkbox"/> 15.5"	<input type="checkbox"/> 16"
25"	14.5" - 20"		<input type="checkbox"/> 16.5"	<input type="checkbox"/> 17"	<input type="checkbox"/> 17.5"	<input type="checkbox"/> 18"
26"	15.5" - 20"		<input type="checkbox"/> 18.5"	<input type="checkbox"/> 19"	<input type="checkbox"/> 19.5"	<input type="checkbox"/> 20".....STD



FRONT ANGLE ② Measure from frame front to floor.

- ZFA1 70° 75° 80° 85° (85° Not available with 6" Front Wheels.)
- 90° (90° Not available with 5" or 6" Front Wheels.).....STD

SEAT TO FOOTREST ③/FOOTRESTS Measure from front edge of seat sling to top rear of footrest.

Standard Footrests Measurement must be at least 2" shorter than Front Seat Height ③.

- 13.5" 14" 14.5" 15" 15.5" 16" 16.5" 17" 17.5" 18" 18.5" 19"
- ZFTR3 Angle Adjustable FootrestSTD
- ZFTR1 Titanium Footrest w/Flat ABS Cover (Not available with Heavy Duty Frame.) \$200
- ZFTR2 Titanium Open Loop Footrest (Not available with Heavy Duty Frame.) \$255
- ZFTR12 Flip-Back Footrest (Not available with 10" or 11" Rear Seat Width ④, Heavy Duty Frame, ABS Cover with 2" Sides or Front Roller.) \$255 K0040, K0045

High Mount Footrests

- 7"-9" 9"-11" 11"-13" Set at: _____ (Use 1/2" increments)
- ZFTR4 Angle Adjustable High Mount Footrest.....\$100 K0040

Additional Footrest Option

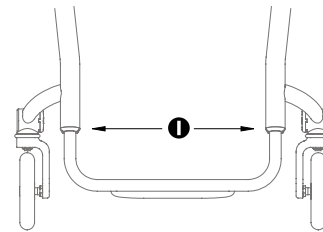
- ZFTR14 ABS Cover w/2" Sides (Not available with Flip-Back Footrest or chairs with 10" or 11" Rear Seat Width ④).....\$110 K0041

FOOTREST WIDTH ⑤ or ⑥ You must select a V-Front End if a Seat Taper ① is selected on Page 2.

ZFE1 STANDARD FRONT END ⑤ Find your Rear Seat Width ④ in the Chart below and select one of the options to the right.

Measure from inside of front frame tube to inside of opposite front frame tube. (Not Available with Front Seat Width (Seat Taper) ①).....STD

REAR SEAT WIDTH ④ (Outside Measurement)	FOOTREST WIDTH ⑤		
	No Taper (2.5" Narrower than Rear Seat Width)	1.5" Taper (4" Narrower than Rear Seat Width)	3.5" Taper (6" Narrower than Rear Seat Width)
10"	<input type="checkbox"/> 7.5"		
11"	<input type="checkbox"/> 8.5"		
12"	<input type="checkbox"/> 9.5"	<input type="checkbox"/> 8"	
13"	<input type="checkbox"/> 10.5"	<input type="checkbox"/> 9"	
14"	<input type="checkbox"/> 11.5"	<input type="checkbox"/> 10"	
15"	<input type="checkbox"/> 12.5"	<input type="checkbox"/> 11"	<input type="checkbox"/> 9"
16"	<input type="checkbox"/> 13.5"	<input type="checkbox"/> 12"	<input type="checkbox"/> 10"
17"	<input type="checkbox"/> 14.5"	<input type="checkbox"/> 13"	<input type="checkbox"/> 11"
18"	<input type="checkbox"/> 15.5"	<input type="checkbox"/> 14"	<input type="checkbox"/> 12"
19"	<input type="checkbox"/> 16.5"	<input type="checkbox"/> 15"	<input type="checkbox"/> 13"
20"	<input type="checkbox"/> 17.5"	<input type="checkbox"/> 16"	<input type="checkbox"/> 14"



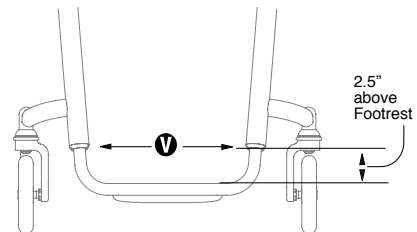
ZFE1 NO V-Front Taper (Required when both Heavy Duty Frame and Seat Taper ① are selected).....NCO

OR

ZFE2 V-FRONT END ⑥ Measure from inside of front frame tube to inside of opposite front frame tube 2-1/2" above

footrest. (Required with Front Seat Taper ①. Titanium Footrests have 1" of adjustment up and down.).....\$290

- 7" 7.5" 8" 8.5" 9" 9.5"
- 10" 10.5" 11" 11.5" 12" 12.5"
- 13" 13.5" 14" 14.5" 15" 15.5"
- 16" 16.5" 17"



TIFIT®: TAILORED INDIVIDUALIZED FRAME

SEAT BACK TYPE/PUSH HANDLES/SEAT BACK HEIGHT Ⓢ Measure from top of back post to top of seat tube at rear of frame.

SEAT BACK TYPE

- ZSB1 Folding Aluminum Adjustable Height (Required for Heavy Duty Frame.).....**NCO**
- ZSB2 Folding Titanium Adjustable Height with New Rounded Rigidizer Bar (Titanium back will match Frame Finish. Not available with Bolt-On Push Handles.)..... **\$255**
- ZSB15 Non-Folding, Fixed Height Titanium with New Rounded Rigidizer Bar (Not available with Aero Z, ZRA, Transport Brackets. Titanium back will match Frame Finish.).....**\$290**

TISHAFT™ BACK RELEASE BARS

- ZSB3 Aluminum.....**STD**
- ZSB4 Titanium.....**\$75**
- ZSB5 Carbon Fiber.....**\$75**

PUSH HANDLES

- ZSB6 Integrated Push Handles**NCO**
- ZSB7 Integrated Fold-Down Push Handles (Requires Tension Adjustable by Straps Back Upholstery.)**\$115**
- ZSB8 Bolt-On Push Handles (Includes 4" Deep Backrest Rigidizer Bar. Not available with Ti Back.).....**\$200**
- ZSB9 Bolt-On Height-Adjustable Push Handles (Includes 4" Deep Backrest Rigidizer Bar. Not available with Ti Back.).....**\$335**

SEAT BACK HEIGHT Ⓢ

FOLDING BACKREST

Push Handles (Selected Above)	Short	Medium	Tall	Set at: (Use 1/2" increments)
None / Bolt-On	<input type="checkbox"/> 8.5"- 11.5"	<input type="checkbox"/> 12"- 16.5"	<input type="checkbox"/> 16"- 20.5"	Set at: _____
Integrated	<input type="checkbox"/> 10.5"- 12.5"	<input type="checkbox"/> 13.5"- 16.5"	<input type="checkbox"/> 17.5"- 20.5"	Set at: _____
Integrated Fold-Down	<input type="checkbox"/> 13"- 15"	<input type="checkbox"/> 14.5"- 18.5"	<input type="checkbox"/> 18.5"- 21"	Set at: _____

ZSB15 NON-FOLDING, FIXED-HEIGHT TITANIUM SEAT BACK (Titanium back will match Frame Finish. Required for Fixed Side Guards. Not available with Aero Z, ZRA, Swing Away Tubular, Swing Away - Flip Back Tubular Armrests and Integrated Push Handles, Integrated Fold-Down Push Handles or Bolt-On Height Adjustable Push Handles.)

- 8" 8.5" 9" 9.5" 10" 10.5" 11" 11.5" 12" 12.5" 13" 13.5" 14" 14.5" 15" 15.5" 16" 16.5" 17" 17.5" 18" 18.5" 19" 19.5" 20"

AVAILABLE ON ALL BACKS

- ZSB11 Seat Back that Locks when Folded.....**NCO**
- ZSB12 4" Deep Backrest Rigidizer Bar (Required for Heavy Duty Frame. Available with Aluminum and Titanium backrest option. Not available with a Non-Folding, Fixed Height Titanium Seat Back type. 4" Deep Rigidizer Bar is NOT a rounded style rigidizer bar.).....**NCO**
- ZSB16 Depth Adjustable Back/Frame (Seat Depths Ⓢ of 10"-18" allow 2" of rearward adjustment. Height Adjustable Push Handles have a limited Height range with Depth Adjustable Back. Not Available with 19" or 20" Seat Depths Ⓢ, Heavy Duty Edition, Tension Adjustable by Straps Seat Upholstery or Carbon Fiber Side Guards).....**NCO**
- ZSB13 Custom Height Backrest Rigidizer Bar (The Standard Rigidizer Bar height is 5" above the Seat Sling for a short, 6" for a medium and 10" for a tall. Custom Height Rigidizer Bar must be at least 4-1/2" above Seat Sling. Maximum Height is 3" less than Lowest Seat Back Height without push handles.).....**\$170**
Set at: _____ (Use 1/4" increments)

SEAT BACK ANGLE Ⓢ Measure angle from front of back post to floor.

- ZBA1 **Folding Back**
 80° 83° 86° 89° 92° 95° 98° 101°.....**NCO**
- ZBA1 **Non-Folding Back** (Not available with Aero Z and ZRA.)
 80° 81° 82° 83° 84° 85° 86° 87° 88° 89° 90° 91° 92° 93° 94° 95° 96° 97° 98° 99° 100° 101°.....**NCO**

CENTER OF GRAVITY Ⓢ Measure from front of back post at the seat tube to the center of the rear axle. If no center of gravity is selected, chair will ship with the center of gravity in the rearward-most position.

- ZCOG1 0" .25" .5" .75" 1" 1.25" 1.5" 1.75" 2" 2.25" 2.5" 2.75" 3" 3.25" 3.5" 3.75" 4" 4.25" 4.5" 4.75" 5" 5.25" 5.5" 5.75" 6".....**STD**

CAMBER Ⓢ/CAMBER TUBES

- ZCBR1 0° 2° 4° 6° 8° 12° (More than 0° of Camber Ⓢ is not available with the Power Adaptable Frame. More than 6° of Camber Ⓢ is not available with Zero Play Aluminum Camber Plugs.).....**STD**
- ZCBR15 Aluminum Camber Tube.....**STD**
- ZCBR3 Titanium Camber Tube (Not available with Power Adaptable Frame.).....**\$200**

REAR WHEEL SPACING Ⓢ /PLUGS Measure from outside of seat back post to inside of rear tire. 3/4" Rear Wheel Spacing not available with 0° or 2° Camber Ⓢ.

- ZRWS1 .75" 1" 1.25" 1.5" 1.75" 2".....**STD**
- ZCBR12 Adjustable Rear Wheel Spacing Camber Plugs (Not available with Power Adaptable Frame.).....**STD**
- ZCBR9 Additional Spacers to Increase Rear Wheel Spacing.....**NCO**
- ZCBR11 Zero Play Aluminum Camber Plugs (Not available with more than 6° of Camber Ⓢ or Power Adaptable Frame.).....**NCO**

CUSTOM CONFIGURATION OPTIONS

FRONT WHEELS

ZFW24 <input type="checkbox"/> 3"x1.5" LiteSpeed Billet Aluminum Wheel w/Soft Roll Tire <input type="checkbox"/> Silver Hub OR <input type="checkbox"/> Black Hub	\$190
ZFW14 <input type="checkbox"/> 4"x.75" Plastic Wheel w/Poly Tire (Not available with Slipstream Fork, Glide™ Single-Sided Fork, Heavy Duty or Power Adaptable Frame.).....	NCO
ZFW3 <input type="checkbox"/> 4"x.75" Light-Up Micro-Caster (Not available with Slipstream Fork, Glide™ Single-Sided Fork, Heavy Duty or Power Adaptable Frame.).....	\$80
ZFW25 <input type="checkbox"/> 4"x.75" LiteSpeed Billet Aluminum Wheel w/Poly Tire <input type="checkbox"/> Silver Hub OR <input type="checkbox"/> Black Hub.....	\$150
ZFW26 <input type="checkbox"/> 4"x1.5" LiteSpeed Plastic Wheel w/Soft Roll Tire (Not available with Power Assist, Power Add-on System or Heavy Duty Frame.).....	\$95
ZFW27 <input type="checkbox"/> 4"x1.5" LiteSpeed Billet Aluminum Wheel w/Soft Roll Tire <input type="checkbox"/> Silver Hub OR <input type="checkbox"/> Black Hub.....	\$200
ZFW6 <input type="checkbox"/> 5"x1" Plastic Wheel w/Poly Tire (Not available with 90° Front Angle Ⓛ , Slipstream Fork, Glide™ Single-Sided Fork, Heavy Duty or Power Adaptable Frame.).....	NCO
ZFW28 <input type="checkbox"/> 5"x1.5" LiteSpeed Plastic Wheel w/Soft Roll Tire (Not available with Heavy Duty, Power Adaptable Frame, or 90° Front Angle Ⓛ).....	\$95
ZFW29 <input type="checkbox"/> 5"x.75" LiteSpeed Billet Aluminum Wheel w/Poly Tire <input type="checkbox"/> Silver Hub OR <input type="checkbox"/> Black Hub (Not available with 90° Front Angle Ⓛ).....	\$170
ZFW30 <input type="checkbox"/> 5"x1.5" LiteSpeed Billet Aluminum Wheel w/Soft Roll Tire <input type="checkbox"/> Silver Hub OR <input type="checkbox"/> Black Hub (Not available with 90° Front Angle Ⓛ).....	\$215
ZFW9 <input type="checkbox"/> 6"x1" Plastic Wheel w/Poly Tire (Not available with Heavy Duty, Power Adaptable Frame or 85° or 90° Front Angle Ⓛ , Glide™ Single-Sided Fork or Slipstream Fork.).....	NCO
ZFW34 <input type="checkbox"/> 6"x1" LiteSpeed Billet Aluminum Wheel w/Poly Tire <input type="checkbox"/> Silver Hub OR <input type="checkbox"/> Black Hub (Not available with 85° or 90° Front Angle Ⓛ , Glide™ Single-Sided Fork or Slipstream Fork.).....	\$190
ZFW32 <input type="checkbox"/> 6"x1.5" LiteSpeed Plastic Wheel w/Soft Roll Tire (Not available with Heavy Duty, Power Adaptable Frame or 85° or 90° Front Angle Ⓛ , Glide™ Single-Sided Fork or Slipstream Fork.).....	\$100
ZFW33 <input type="checkbox"/> 6"x1.5" LiteSpeed Billet Aluminum Wheel w/Soft Roll Tire <input type="checkbox"/> Silver Hub OR <input type="checkbox"/> Black Hub (Not available with 85° or 90° Front Angle Ⓛ , Glide™ Single-Sided Fork or Slipstream Fork.).....	\$225

PRECISION LOCK FRONT FORKS

ZFK1 <input type="checkbox"/> TiLite Standard Fork.....	STD
ZFK2 <input type="checkbox"/> TiLite Slipstream Single-Sided Fork (Not available with Heavy Duty Frame or Power Adaptable Frame.).....	\$170
ZGL1 <input type="checkbox"/> Out-Front Glide™ Suspension Fork (Black anodize only. Not available with Heavy Duty Frame).....	\$485
Rider's Weight: <input type="checkbox"/> 125 lbs. <input type="checkbox"/> 125-180 lbs. <input type="checkbox"/> 180-265 lbs.	
ZGL2 <input type="checkbox"/> Out-Front Glide™ Single-Sided Suspension Fork (Black anodize only. Not available with 6" Front Wheels or Heavy Duty Frame).....	\$625
Rider's Weight: <input type="checkbox"/> 125 lbs. <input type="checkbox"/> 125-180 lbs. <input type="checkbox"/> 180-265 lbs.	
ZTFS1 <input type="checkbox"/> Titanium Fork Stem.....	\$60

STANDARD REAR WHEELS (See Rear Seat Height Ranges Chart on Page 3 for Rear Seat Height **Ⓛ** limitations.)

ZRW14 TiLite SHADOW™.....	STD
<input type="checkbox"/> 20"(451)	
<input type="checkbox"/> 22"(501)	
<input type="checkbox"/> 24"(540)	
<input type="checkbox"/> 25"(559) (Requires 15" minimum Seat Depth Ⓛ .)	
<input type="checkbox"/> 26"(590) (Requires 15" minimum Seat Depth Ⓛ .)	

PERFORMANCE REAR WHEELS (See Rear Seat Height Ranges Chart on Page 3 for Rear Seat Height **Ⓛ** limitations.)

ZRW7 Spinergy SPOX <input type="checkbox"/> Black <input type="checkbox"/> Red <input type="checkbox"/> Yellow <input type="checkbox"/> Blue <input type="checkbox"/> White	\$845
<input type="checkbox"/> 22"(501) - Std. Hub	
<input type="checkbox"/> 24"(540) - Std. Hub	
<input type="checkbox"/> 25"(559) - Std. Hub (Requires 15" minimum Seat Depth Ⓛ .)	
<input type="checkbox"/> 26"(590) - Sport Hub (Requires 15" minimum Seat Depth Ⓛ . Not available with Quad Release Axles.)	
ZRW8 Spinergy LX <input type="checkbox"/> Black <input type="checkbox"/> Red <input type="checkbox"/> Yellow <input type="checkbox"/> Blue <input type="checkbox"/> White <input type="checkbox"/> Go Green <input type="checkbox"/> Bright Orange <input type="checkbox"/> Flamingo Pink.....	\$1,060
<input type="checkbox"/> 22"(501) - Std. Hub	
<input type="checkbox"/> 24"(540) - Std. Hub	
<input type="checkbox"/> 25"(559) - Std. Hub (Requires 15" minimum Seat Depth Ⓛ .)	
<input type="checkbox"/> 26"(590) - Sport Hub (Requires 15" minimum Seat Depth Ⓛ . Not available with Quad Release Axles.)	
ZRW16 Spinergy Carbon Blade (Not available with Heavy Duty Frame, Natural-Fit or Natural-Fit LT with Standard Grip or Super Grip.).....	\$1,480
<input type="checkbox"/> 24"(540)	
<input type="checkbox"/> 25"(559) (Requires 15" minimum Seat Depth Ⓛ .)	
ZRW17 X-Core Mag (Not available with Heavy Duty Frame, Short Tabs, Quad Release Axles, Spoke Guards or Omit Handrims Option. Requires Aluminum Sliver Anodized Handrims.).....	\$60
<input type="checkbox"/> 20"(451)	
<input type="checkbox"/> 22"(501)	
<input type="checkbox"/> 24"(540)	

AXLES

ZAXL1 <input type="checkbox"/> Stainless Quick Release.....	STD
ZAXL2 <input type="checkbox"/> Titanium Quick Release.....	\$255
ZAXL3 <input type="checkbox"/> Quad Release (Not available with Mag or 26"(590) Spinergy Spox or LX Rear Wheels.).....	\$155

PNEUMATIC REAR TIRES

ZRTR1 <input type="checkbox"/> Treaded (Not available with 25"(559) Rear Wheels. 20" (451)).....	STD
Z2RTR2 <input type="checkbox"/> Airless Inserts.....	\$90
ZRTR3 <input type="checkbox"/> 25"(559) Primo Treaded (Standard with 25"(559) Rear Wheels.).....	STD
ZRTR4 <input type="checkbox"/> Primo Slick.....	NCO
ZRTR30 <input type="checkbox"/> 24"(540), 25"(559) and 26"(590) Primo Sentinel	\$125
ZRTR8 <input type="checkbox"/> 24"(540), 25"(559) and 26"(590) Schwalbe® Marathon Plus Evolution.....	\$140
ZRTR9 <input type="checkbox"/> 24"(540) and 25"(559) Schwalbe® Slick.....	\$145
ZRTR24 <input type="checkbox"/> 24" Kenda Kobra Knobby.....	\$95

CUSTOM CONFIGURATION OPTIONS

SOLID REAR TIRES

- ZRTR22 20"(451), 22"(501), 24"(540) and 25" (559) Primo Express (Not available with Spinergy Carbon Blade Rear Wheels.).....\$110
- ZRTR23 24"(540) and 25"(559) Primo Active.....\$135

HANDRIMS

Handrims by OUT-FRONT®

- ZRIM1 Aluminum – Silver Anodized.....**STD**
- ZRIM21 Aluminum – Black Anodized (Not available with 20"(451) Rear Wheels.).....**NCO**
- ZRIM12 Titanium – Satin Finish (Not available with 20"(451) or 22"(501) Rear Wheels, or 24"(540) Knobby tires.).....\$470
- The Natural-Fit® (Original, Larger Profile) (Not available with 20"(451) Rear Wheels.)
 - ZRIM14 Standard Grip (Not available with Short Tabs or Spinergy Carbon Blade Rear Wheels.).....\$395
 - ZRIM15 Super Grip (Not available with Short Tabs or Spinergy Carbon Blade Rear Wheels.).....\$430
 - ZRIM16 Without Thumb Grip.....\$360
- The Natural-Fit® LT (Reduced Weight, Smaller Profile) (Not available with 20"(451) Rear Wheels.)
 - ZRIM17 Standard Grip (Not available with Short Tabs or Spinergy Carbon Blade Rear Wheels.).....\$415
 - ZRIM18 Super Grip (Not available with Short Tabs or Spinergy Carbon Blade Rear Wheels.).....\$475
 - ZRIM19 Without Thumb Grip.....\$390
 - ZRIM10 The Surge (All-In-One Oval with Gription™ Strip, Larger Profile) (Not available with 20"(451) Rear Wheels.).....\$400
 - ZRIM11 The Surge LT (All-In-One Oval with Gription™ Strip, Smaller Profile) (Not available with 20"(451) Rear Wheels.).....\$430
 - ZRIM20 Q-Grip (Exclusive High-Friction, Anti-Slip Coating) (Not available with 20"(451) Rear Wheels.).....\$330

Additional Handrim Options

- ZRIM5 Plastic Coated – Black\$160
- ZRIM6 Projections - 8 Vertical Projections (Not available with 20" (451) 22"(501), 26"(590), Carbon Blade Rear Wheels.).....\$370
- ZRIM22 Omit Handrims.....**NCO**

Tab Length

- ZRIM7 Long Tabs.....**STD**
- ZRIM8 Short Tabs (Not available with Mag Rear Wheels or The Natural-Fit® Handrims with Thumb Grip.).....\$25

WHEEL LOCKS

Wheel Locks by OUT-FRONT®

- ZWLK7 Compact Composite Push to Lock (Available with .75" to 1.5" Rear Wheel Spacing **1** only).....**NCO**
- ZWLK8 Compact Composite Pull to Lock (Available with .75" to 1.5" Rear Wheel Spacing **1** only).....**NCO**
- Z2WLK10 Extension Handles for Compact Composite Push/Pull to Lock.....\$85 **E0961**
- ZWLK9 Composite Scissor Lock.....\$145

Additional Wheel Locks

- ZWLK3 Uni-Lock Set At: Push **OR** Pull.....\$165
- ZWLK4 Extension Handles for Uni-Lock.....\$85 **E0961**

BACK UPHOLSTERY (Want more seating options? [Click here](#) to view the new TiLite Seating Order Form.)

- ZBUP2 Velcro Adjustable (Not available with Fold-Down Push Handles.).....**STD**
- Tension Adjustable by Straps (Required with Fold-Down Push Handles.)
 - ZBUP3 Padded Nylon.....\$340 **E2611**
 - ZBUP5 AIR Breathable Upholstery (Not available with Ultrasuede or NiteLite Backrest Stripe.).....\$340 **E2611**
- ZUPC3 Ultrasuede Backrest Stripe Black Sapphire Red Pepper Burnt Orange Ultraviolet
 - NiteLite Reflective (Not available with AIR Breathable Back Upholstery.).....\$105
- ZBUP0 Omit Back Upholstery.....**NCO**

SEAT UPHOLSTERY

- ZSUP1 Tension Adjustable Bolt On (Not available with Tapered Seat **1**. Black only.).....**STD**
- Z2SUP7 iSleeve™ Under Seat Smartphone Holder (Not available with 10" to 13" Rear Seat Width **A** or Seat Depth **Θ**.)**NCO**
- ZSUP2 Tension Adjustable by Straps (Standard with Front Seat Width (Seat Taper) **1** of 1.5" and 2.5". Not Available with Depth Adjustable Back/Frame. Black only.).....\$185
- ZSUP8 Aluminum Solid Seat (Not available with 10" or 11" Rear Seat Width **A**.).....\$285 **E2231**
- ZSUP0 Omit Seat Upholstery.....**NCO**

SEAT CUSHION (Want more seating options? [Click here](#) to view the new TiLite Seating Order Form.)

- ZCSH2 Comfort Curve Cushion.....\$120 **E2601**
- ZCSH1 Foam Cushion 2" 3" 4".....\$120

SIDE GUARDS

- Z2SDG1 Cloth (Not available with Ride Designs® Corbac™ back support.).....\$100

Aluminum

- ZSDG2 Rigid Removable Small **OR** Std.....\$200
- ZSDG3 Quad Removable w/Hole Small **OR** Std.....\$215
- ZSDG4 Fold Down Rigid Small **OR** Std.....\$335
- ZSDG6 Fendered Adjustable (Available with 24" and 25" Rear Wheels. Requires Rear Seat Height **Θ** of 14.5" to 18.5").....\$335

Carbon Fiber (Not available with Depth Adjustable Back/Frame.)

- ZSDG7 Rigid Removable Small **OR** Std.....\$310
- ZSDG8 Quad Removable w/Hole Small **OR** Std.....\$320
- ZSDG9 Fold Down Rigid Small **OR** Std.....\$460
- ZSDG11 Fendered Adjustable (Available with 24" and 25" Rear Wheels. Requires Rear Seat Height **Θ** of 14.5" to 18.5").....\$565
- ZSDG12 Fendered Removable.....\$455

CUSTOM CONFIGURATION OPTIONS

Available on Aluminum and Carbon Fiber Non-Fendered Side Guards

ZSDG13 Side Guards Custom Cut to Profile of Rear Wheels (Not available with Cloth.).....\$315

ARMRESTS (Desk Arms come with built-in Side Guards.)

- ZARM1 Swing Away Tubular 9" to 12" **OR** 11" to 14" (Not available with Heavy Duty Frame or Height Adjustable Push Handles.).....\$225 E0973
- ZARM6 Swing Away Fixed Height - Flip Back Tubular (Not available with Heavy Duty Frame.).....NCO K0015
- ZARM4 Swing Away Height Adjustable 9" to 12" - Flip Back Tubular (Not available with Heavy Duty Frame.).....\$315 E0973
- ZARM2 Removable Height Adjustable Desk Arm with Rigid Side Guard (Requires 14" minimum Seat Depth **ⓐ**.).....\$335 E0973
 9" to 12" **OR** 12" to 15"
 Standard Length Pad (10") **OR** Full Length Pad (14")
- ZARM3 Removable Height Adjustable Desk Arm with Rigid Side Guard and Transfer Loop (Requires 15" minimum Seat Depth **ⓐ**.)...\$375 E0973
 9" to 12" **OR** 12" to 15"
 Standard Length Pad (10") **OR** Full Length Pad (14")

Available Armrest Option

ZARM5 Covered in Black Ultrasuede (Not available with Desk Arms).....\$110

SEAT BELTS

- ZBLT1 Velcro Adjustable, Black Nylon Webbing.....\$55 E0978
- ZBLT2 Bodypoint® 2" Push-Button Buckle (Auto-Style.).....\$95 E0978
- ZBLT4 Bodypoint® 1" Wide Push-Button Buckle Padded (Auto-Style.) (Not available with 19" or 20" Rear Seat Widths **ⓐ**.).....\$180 E0978
- ZBLT5 Bodypoint® 1.5" Wide Push-Button Buckle Padded (Auto-Style.) (Not available with 19" or 20" Rear Seat Widths **ⓐ**.).....\$170 E0978
- ZBLT8 Q'Strain® WC-19 Wheelchair-Anchored Pelvic Belt (Recommended for use with Transit Tie-Down. Not available with ZR).....\$190 E0978
- ZBLT10 Bodypoint® Optional Band Clamp Mounting Hardware\$20 K0108
- ZBLT15 Bodypoint® EvoFlex® Pelvic Stabilizer Swivel Buckle.....\$185 E0978
- ZBLT16 Bodypoint® EvoFlex® Pelvic Stabilizer Push Button\$185 E0978
- ZBLT17 Bodypoint® EvoFlex® Pelvic Stabilizer Rehab Latch\$185 E0978

CALF STRAP

- ZCLF2 Velcro Adjustable\$40 K0038
 Xtra Small (Recommended for 6"- 9" Footrest Widths)
 Small (Recommended for 9"- 12" Footrest Widths)
 Medium (Recommended for 11"- 15" Footrest Widths)
 Large (Recommended for 14"- 17" Footrest Widths)
 Xtra Large (Recommended for 16"- 19" Footrest Widths)
- ZCLF3 Bodypoint® Padded Velcro Adjustable\$100 K0038
 Small (Recommended for 8"- 11" Footrest Widths)
 Medium (Recommended for 12"- 15" Footrest Widths)
 Large (Recommended for 16"- 20" Footrest Widths)
- ZCLF1 Buckle Adjustable, Black Nylon Webbing.....\$30 K0038

BACKPACK

ZBCK3 Black Permobil Backpack\$95

SEAT POUCH

- ZPCH3 Black Permobil Seat Pouch.....\$60
- ZPCH4 Bodypoint® Mobility Bag.....\$100

SPOKE GUARDS

ZGRD1 Clear Lexan with TiMotion Logo (Not available with Mag Rear Wheels.).....\$135 K0065

ANTI-TIPS

- ZTIP1 Rear Aluminum - Black.....\$160 E0971
- ZTIP2 User Friendly Flip-up.....\$335 E0971

ACCESSORIES

- ZUEST1 Upper Extremity Support Tray 12" to 14" **OR** 13" to 15" Seat Widths **ⓐ** (Requires Armrests.).....\$290 E0950
- ZLUG1 Luggage Carriers.....\$145
- ZGS1 GRIP Solutions Lap Board.....\$55
- ZMPCT2 Neoprene Impact Guards with Ultrasuede Stripe Black Sapphire Red Pepper Burnt Orange
 Ultraviolet TiLite NiteLite Neoprene Impact Guards with Reflective Stripe.....\$105
- ZCH1 Crutch Holder.....\$225 E2207
- ZAFP1 4" Logo Patch Army Navy Air Force Marines\$105

GENERAL

Permobil manufactures TiLite manual wheelchairs in a wide variety of configurations to meet the varied needs of wheelchair users. The final selection of a particular model, its options and accessories, and its measurements rests solely with the wheelchair user and advising healthcare professional. These wheelchairs must be fitted by a qualified healthcare professional. HCPCS Codes are for reference purposes only. Actual coding and coverage varies by payer. Proper HCPCS coding is not a guarantee of payment. Please verify the appropriate payer's coverage policy.

Trademarks are identified by symbols™ and ©. TiLite, TiFit, the TiLite logo, Ti, the Ti logo, The Titanium Experts, and TiShaft are registered trademarks of TiSport, LLC and are licensed to Permobil. Permobil® is a registered trademark of Permobil. Adobe®, Acrobat®, Acrobat Professional® and Reader® are registered trademarks of Adobe Systems Inc. Bodypoint® is a registered trademark of Bodypoint Inc. Kenda® is a registered trademark of Kenda Rubber Industrial Co. Ltd. Ride Designs® and Corbac® are registered trademarks of Aspen Seating, LLC. ROHO®, Low Profile® and Quadro Select® are registered trademarks of ROHO Inc. Schwalbe® is a registered trademark of Ralf Bohle GmbH. Supracor®, Stimulite® and Corbee® are registered trademarks of Supracor, Inc. The Natural-Fit® and Out-Front® are registered trademarks of Three Rivers Holdings, LLC. VariLite® is a registered trademark of Cascade Designs, Inc.

QUOTE THIS CHAIR

If you are using Adobe Acrobat, this order form may be converted into a quote request or into an order by clicking one of the buttons (this feature is available exclusively to Permobil dealers and distributors). A Quote or an Order Confirmation will be sent to you within 24 hours.

ORDER THIS CHAIR