

TiLite AERO T Order Form

Effective March 5, 2018 (New Items in Red)

DUAL-TUBE RIGID FRAME

Page 1 of 8

DEALER INFORMATION		RTS INFORMATION	
Dealer:	Account #:	RTS:	Phone:
PO:	Ordered By:	Email:	
Email:		SHIP TO INFORMATION	
Mark For:		Name:	Ship Via: Domestic
TiLite Sales Rep:		Address:	
TiLite Information:	Promo Code:	City:	State: Zip:
Ship Date:	Order #:	Phone:	Fax:

Please Email or Fax to the TiLite Customer Service Team at orders@tilite.com or 866.586.2413 / 509.586.2413

FRAME STYLE

- ATFS1 **Aero T Aluminum Frame** (Full Adjustability. 265 Pound Weight Limit. For Rear Seat Width **A** and Seat Depth **B** of 15" or greater, use K0005. For Rear Seat Width **A** and Seat Depth **B** of less than 15", use E1235.).....**\$2,950** **K0005**
- TAFS1 **TRA Titanium Frame** (Full Adjustability. 265 Pound Weight Limit. For Rear Seat Width **A** and Seat Depth **B** of 15" or greater, use K0005. For Rear Seat Width **A** and Seat Depth **B** of less than 15", use E1235.).....**\$1,395**
- TRFS1 **TR Titanium Frame Ultimate TiFIT** (Minimal Adjustability. 265 Pound Weight Limit For Rear Seat Width **A** and Seat Depth **B** of 15" or greater, use K0005. For Rear Seat Width **A** and Seat Depth **B** of less than 15", use E1235.).....**\$250**
- TMAXSD1 Permobil Smart Drive MX2+\$7,131 E0986**
- TMAXSD2 PushTracker Size Small Medium Large.....**STD**
- TMAXSD4 Carrying Bag**\$78**
- TMAXSD5 Thumb Throttle Buttons**\$437**

TILITE SPECIAL EDITIONS If selecting one of the TiLite Special Edition Upgraded Component Packages, you must still fill out the entire order form. Edition options will override inconsistent selections. Options cannot be added or deleted.

CE1 Carbon Edition

- ACB1 ROHO AGILITY™ Carbon Back Upgrade (Click here to view the TiLite Seating Order Form.).....**\$1,090**
- TSB5 Carbon Fiber TiShaft™ Back Release Bar (Not available with Non-Folding, Fixed Height Titanium Back.).....**\$75**
- TRW16 Spinergy Carbon Blade (Not available with Heavy Duty Frame, Natural-Fit or Natural-Fit LT with Standard Grip or Super Grip.).....**\$1,480**
- Side Guards** (Please select one style on page 6 or 7)
- TSDG7 Rigid Removable.....**\$310**
- TSDG8 Quad Removable w/Hole.....**\$320**
- TSDG11 Fendered Adjustable (Available with 24" and 25" Rear Wheels. Requires Rear Seat Height **D** of 14.5" to 18.5").....**\$565**
- TSDG12 Fendered Removable.....**\$455**
- Retail: \$2,955 - \$3,210**
- Carbon Edition Price: \$2,835**

TP1 SuperLite Edition

- TFTR2 Titanium Open Loop Footrest**\$255**
- OR**
- TFTR1 Titanium Footrest w/Flat ABS Cover.....**\$200**
- Seat Back Type**
- TSB2 Folding Titanium Back.....**\$255**
- OR**
- TSB15 Non-Folding, Fixed Height Titanium Back.....**\$290**
- TSB5 Carbon Fiber TiShaft™ Back Release Bar (Not available with Non-Folding, Fixed Height Titanium Back.).....**\$75**
- TCBR3 Titanium Camber Tube or TCBR15 Aluminum Camber Tube.....**\$200**
- TFK2 TiLite Slipstream Single-Sided Fork.....**\$170**
- TTFS1 Titanium Fork Stem.....**\$60**
- Retail: \$960 - \$1,050**
- SuperLite Edition Price: \$865**

TP5 **Black Edition** Not available with Aero T Frame. (Black Edition includes: Black Lava Frame Color, Black Anodize Package, LiteSpeed Front Wheels (Must Choose Front Wheel Size, Carbon Fiber TiShaft™ Back Release Bar and TiLite Slipstream Single-Sided Fork.) **\$1,085**

Exclusive To The Black Edition

Black on Black Tattoo

Black Lava Footrest

Diamond Embossed Ultrasuede Backrest Stripe w/Black TiLite Logo



THDR1 **Heavy Duty Frame** Not Available with TR Titanium Frame (350 Pound Weight Limit. No charge when 20" Rear Seat Width **A** and 20" Seat Depth **B** are selected. Includes Tension Adjustable by Straps Back Upholstery. Requires Folding Aluminum Adjustable Height Backrest, Billet Aluminum Front Wheels, Shadow or Spinergy SPOX Rear Wheels. LX Rear Wheels only available with 0 or 2 degree camber. Not available with SuperLite Edition, Slipstream Fork, Velcro Adjustable Upholstery, Open Loop Footrest, V-Front Taper or Glide™ Forks.).....**\$435**



permobilus.com
2701 West Court Street | Pasco, Washington 99301
509.586.6117 Tel | 800.545.2266 Toll-Free
509.586.2413 Fax | 866.586.2413 Toll-Free Fax

TiLite AERO T Order Form

FRAME STYLE

- TQST1 **Q'Straint Adaptable Frame** (350 Pound Weight Limit. No charge when 20" Rear Seat Width **A** and 20" Seat Depth **B** are selected. Includes Tension Adjustable by Straps Back Upholstery. Requires Folding Aluminum Adjustable Height Backrest, Billet Aluminum Front Wheels, Shadow or Spinergy SPOX Rear Wheels. LX Rear Wheels. only available with 0 or 2 degree camber. Not available with SuperLite Edition, Slipstream Fork, Velcro Adjustable Upholstery, Open Loop Footrest, V-Front Taper or Glide™ Forks.).....\$435
- TPWR1 **Power Adaptable Frame for Frank Mobility System** (No charge when 20" Rear Seat Width **A** and 20" Seat Depth **B** are selected. Requires LiteSpeed Billet Aluminum Front Wheels and 0 degree camber. Not available with Single-sided Forks, or Titanium Camber Tubes.).....\$340
- TRFR1 **Reinforced Frame** (No charge when 20" Rear Seat Width **A** and 20" Seat Depth **B** are selected.)\$340

FRAME FINISHES

- TFF1 Satin (Available with Titanium Frame only.)STD
- TSCBT1 Satin Finish Buffing Pads.....\$20
- TFF2 Polished\$795
- TFF3 **Tattooed Titanium™** (Tattoos on front frame tubes. Titanium frame finished in Satin. Aluminum frame finished in blasted aluminum with clear coat. Tattoos will be trimmed and adjusted to fit your frame.).....\$335

TFF45 **Need For Speed**



TFF46 **Neon Dreams**



TFF44 **Flower Garden**



TFF43 **Mosaic**



- | | | | |
|----------------------|--|---|--|
| High Gloss Paint | TFF8 <input type="checkbox"/> Super Wet Black | TFF10 <input type="checkbox"/> TiLite Red | TFF29 <input type="checkbox"/> Neon Pink |
| Metallic Paint | TFF14 <input type="checkbox"/> Ocean Blue Metallic | TFF15 <input type="checkbox"/> Tangerine Metallic | TFF30 <input type="checkbox"/> Acid Green Metallic |
| Pearlescent Paint | TFF17 <input type="checkbox"/> Midnight Blue Pearl | TFF18 <input type="checkbox"/> White Pearl | |
| Matte Paint | TFF19 <input type="checkbox"/> Black Lava | TFF27 <input type="checkbox"/> Titanium Grey | |
| Candy Paint | TFF22 <input type="checkbox"/> Ruby Red | TFF23 <input type="checkbox"/> Azure Blue | TFF25 <input type="checkbox"/> Electric Plum |
| Matte Textured Paint | TFF40 <input type="checkbox"/> Hyper Blue | TFF41 <input type="checkbox"/> Flame Orange | TFF42 <input type="checkbox"/> OD GreenSTD |

COLOR ANODIZE PACKAGE

(Color Anodize Package includes: Aluminum Camber Tube (Color Anodize not available with Power Adaptable Camber Tube), Camber Mount, Footrest Clamp, Caster Mount, Caster Fork, Caster Cap and Agility Carbon Backrest Clamps if selected. If no anodize color is selected, the default will be black.)

- TANO1 Black.....STD
- TANO5 Sapphire TANO3 Red Pepper TANO6 Burnt Orange
- TANO8 Ultraviolet TANO9 Fuchsia.....\$170

TIFIT®: TAILORED INDIVIDUALIZED FRAME

REAR SEAT WIDTH **A** Measure from outside of seat tube at back post to the outside of the opposite seat tube at back post.

- TSW1 12" 13" 14" 15" 16" 17" 18" 19".....STD
- TSW2 20" (HCPCS code only applies to 20" Rear Seat Width **A**.).....\$495 E2201

FRONT SEAT WIDTH (SEAT TAPER) **I** Measure from inside of front frame tube to inside of opposite front frame tube. (Required with V-Front End **V**. Not Available with Standard Front End **S**.)

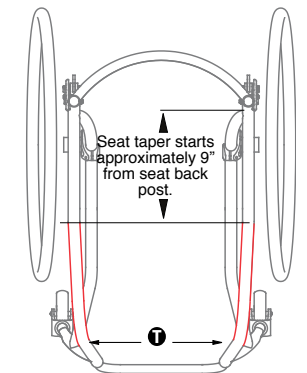
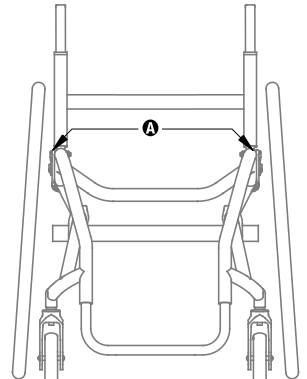
- TFSW1 No Taper (2" Narrower than Rear Seat Width **A**.).....STD
- TFSW2 1" Taper (3" Narrower than Rear Seat Width **A**. Includes Tension Adjustable by Straps Seat Upholstery.).....\$280
- TFSW4 2" Taper (4" Narrower than Rear Seat Width **A**. Includes Tension Adjustable by Straps Seat Upholstery.).....\$280
- TFSW6 3" Taper (5" Narrower than Rear Seat Width **A**. Includes Tension Adjustable by Straps Seat Upholstery. Not available with 12" Seat Width.).....\$280

SEAT DEPTH **B** Measure from front of back post to the front edge of seat sling. Frame bend will start .5" in front of seat sling unless Custom Frame Depth is specified or the combination of specifications affect the rolling dynamics of the chair.

- TSD1 12" 13" 14" 15" 16" 17" 18" 19".....STD
- TSD2 20".....\$540 E2203
- TSD3 Custom Frame Depth: _____" Frame Depth Longer or Shorter Than Seat Depth (Measure from front of seat sling to beginning of frame bend. Specifications can be given as specific as 1/4" increments. A negative Custom Frame Depth requires Tension Adjustable by Strap seat upholstery. A Custom Frame Depth of 20" is \$490.).....NCO

ERGONOMIC SEAT **O** Measure from front of back post to beginning of upward bend of seat tube. (Not available with Aero T or Tension Adjustable Bolt On Seat Upholstery.)

- TERG1 TR Ergonomic Seat 4" 5" 6" 7" 8" 9" 10"\$340



TiFIT®: TAILORED INDIVIDUALIZED FRAME

FRONT SEAT HEIGHT ㉓ Measure from floor to top of seat tube at front edge of seat sling.

- TFSH1 15" 15.5" 16" 16.5" 17" 17.5" 18" 18.5"
 19" 19.5" 20" 20.5" 21"STD

REAR SEAT HEIGHT ㉔ Measure from floor to top of seat tube at back post.

REAR SEAT HEIGHT RANGES

Rear Wheel Size Rear Seat Height ㉔

20"	12.5"- 21"	TRSH1	<input type="checkbox"/> 12.5"	<input type="checkbox"/> 13"	<input type="checkbox"/> 13.5"	<input type="checkbox"/> 14"
22"	13.5"- 21"		<input type="checkbox"/> 14.5"	<input type="checkbox"/> 15"	<input type="checkbox"/> 15.5"	<input type="checkbox"/> 16"
24"	14.5"- 21" (15" on Aero T / TRA)		<input type="checkbox"/> 16.5"	<input type="checkbox"/> 17"	<input type="checkbox"/> 17.5"	<input type="checkbox"/> 18"
25"	15.0"- 21"		<input type="checkbox"/> 18.5"	<input type="checkbox"/> 19"	<input type="checkbox"/> 19.5"	<input type="checkbox"/> 20"
26"	15.5"- 21"		<input type="checkbox"/> 20.5"	<input type="checkbox"/> 21".....STD		

FRONT ANGLE ㉕ Measure from frame front to floor.

- TFA1 60° (TR only) 65° (TR only) 70° 75° 80°
 85° (Not available with 6" Front Wheels.) 90° (Not available with 5" or 6" Front Wheels.).....STD

SEAT TO FOOTREST ㉖/FOOTRESTS Measure from front edge of seat sling to top rear of footrest.

Standard Footrests Measurement must be at least 2" shorter than Front Seat Height ㉓.

- 13.5" 14" 14.5" 15" 15.5" 16" 16.5" 17"
 17.5" 18" 18.5" 19"

- TFTR3 Angle Adjustable FootrestSTD
 TFTR1 Titanium Footrest w/Flat ABS Cover.....\$200
 TFTR2 Titanium Open Loop Footrest\$255
 TFTR12 Flip-Back Footrest (Not available with ABS Cover with 2" Sides or Front Roller.).....\$225 K0040, K0045
High Mount Footrest
 7"-9" 9"-11" 11"-13" Set at _____ (Use 1/2" increments)
 TFTR4 Angle Adjustable High Mount Footrest\$100 K0040
 TFTR14 ABS Cover w/2" Sides (Not available with Flip-Back Footrest.)\$110 K0041

FOOTREST WIDTH ㉗ or ㉘ Select either a Standard Front End ㉗ if no Seat Taper ㉙ is selected on page 2 or a V-Front End ㉘ if a Seat Taper ㉙ is selected on page 2.

TFE1 STANDARD FRONT END ㉗ Find your Rear Seat Width ㉚ in the Chart below and select one of the options to the right. Measure from inside of front frame tube to inside of opposite front frame tube.STD

REAR SEAT WIDTH ㉚ (Outside Measurement)	FOOTREST WIDTH ㉗		
	No Taper (2" Narrower than Rear Seat Width)	2" Taper (4" Narrower than Rear Seat Width)	4" Taper (6" Narrower than Rear Seat Width)
12"	<input type="checkbox"/> 10"	<input type="checkbox"/> 8"	
13"	<input type="checkbox"/> 11"	<input type="checkbox"/> 9"	
14"	<input type="checkbox"/> 12"	<input type="checkbox"/> 10"	<input type="checkbox"/> 8"
15"	<input type="checkbox"/> 13"	<input type="checkbox"/> 11"	<input type="checkbox"/> 9"
16"	<input type="checkbox"/> 14"	<input type="checkbox"/> 12"	<input type="checkbox"/> 10"
17"	<input type="checkbox"/> 15"	<input type="checkbox"/> 13"	<input type="checkbox"/> 11"
18"	<input type="checkbox"/> 16"	<input type="checkbox"/> 14"	<input type="checkbox"/> 12"
19"	<input type="checkbox"/> 17"	<input type="checkbox"/> 15"	<input type="checkbox"/> 13"
20"	<input type="checkbox"/> 18"	<input type="checkbox"/> 16"	<input type="checkbox"/> 14"

TFE1 NO V-Front TaperNCO

OR

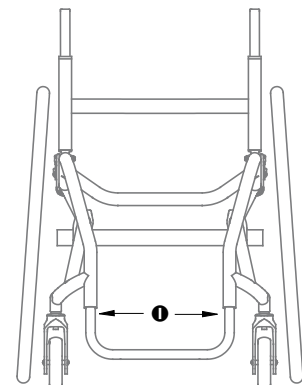
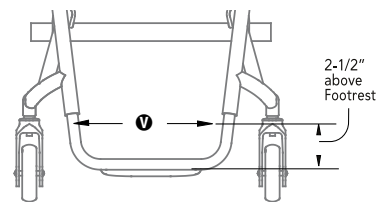
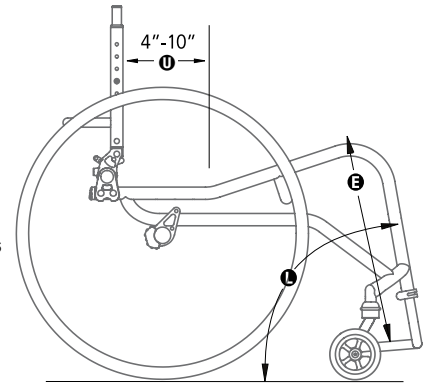
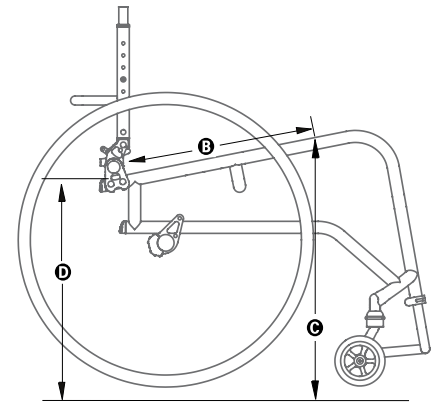
TFE2 V-FRONT END ㉘ Measure from inside of front frame tube to inside of opposite front frame tube 2-1/2" above footrest. (Titanium Footrests have 1" of adjustment up and down.)....\$290

- 8" 8.5" 9" 9.5" 10" 10.5" 11" 11.5"
 12" 12.5" 13" 13.5" 14" 14.5" 15" 15.5"
 16" 16.5" 17" 17.5"

SEAT BACK TYPE/PUSH HANDLES/SEAT BACK HEIGHT ㉙ Measure from top of back post to top of seat tube at rear of frame.

SEAT BACK TYPE

- TSB1 Folding Aluminum Adjustable HeightNCO
 TSB2 Folding Titanium Adjustable Height with New Rounded Rigidizer Bar
 (Titanium back will match Frame Finish. Not available with Bolt-On Push Handles.)\$255
 TSB15 Non-Folding, Fixed Height Titanium with New Rounded Rigidizer Bar
 (Not Available with Aero T or TRA. Titanium back will match Frame Finish. Not available with Push Handles.) ...\$290



TiLite AERO T Order Form

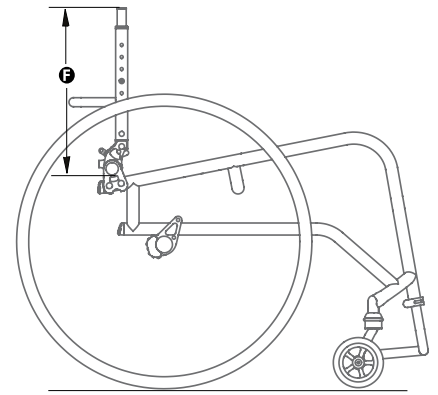
TIFIT®: TAILORED INDIVIDUALIZED FRAME

TISHAFT™ BACK RELEASE BARS (Not available with Non-Folding, Fixed Height Titanium Back.)

- TSB3 Aluminum **STD**
- TSB4 Titanium..... **\$75**
- TSB5 Carbon Fiber..... **\$75**

PUSH HANDLES

- TSB6 Integrated Push Handles..... **NCO**
- TSB7 Integrated Fold-Down Push Handles (Requires Tension Adjustable by Straps Back Upholstery.)..... **\$115**
- TSB8 Bolt-On Push Handles (Includes 4" Deep Backrest Rigidizer Bar. Not available with Ti Back.)..... **\$200**
- TSB9 Bolt-On Height-Adjustable Push Handles (Includes 4" Deep Backrest Rigidizer Bar. Not available with Ti Back.)..... **\$335**



FOLDING SEAT BACK HEIGHT Ⓜ (TSB1 and TSB2)

Push Handles (Selected Above)	Short	Medium	Tall	Set at: (Use 1/2" increments)
None / Bolt-On	<input type="checkbox"/> 8.5"- 11.5"	<input type="checkbox"/> 12"- 16.5"	<input type="checkbox"/> 16"- 20.5"	Set at: _____
Integrated	<input type="checkbox"/> 10.5"- 12.5"	<input type="checkbox"/> 13.5"- 16.5"	<input type="checkbox"/> 17.5"- 20.5"	Set at: _____
Integrated Fold-Down	<input type="checkbox"/> 13"- 15.5"	<input type="checkbox"/> 14.0"- 18.5"	<input type="checkbox"/> 18.5"- 21"	Set at: _____

NON-FOLDING, FIXED-HEIGHT Ⓜ TITANIUM SEAT BACK with New Rounded Rigidizer Bar (TSB15) (Titanium back will match Frame Finish. Required for fixed Side Guards. Not available with Swing Away Tubular or Swing Away - Flip Back Tubular Armrests and Integrated Push Handles, Integrated Fold-Down Push Handles or Bolt-On Height Adjustable Push Handles.)

- 5" 5.5" 6" 6.5" 7" 7.5" 8" 8.5" 9" 9.5" 10"
- 10.5" 11" 11.5" 12" 12.5" 13" 13.5" 14" 14.5" 15" 15.5"
- 16" 16.5" 17" 17.5" 18" 18.5" 19" 19.5" 20"

AVAILABLE ON ALL BACKS

- TSB11 Backrest that Locks when Folded (Not available with Ergonomic Seat.)..... **NCO**
- TSB12 4" Deep Backrest Rigidizer Bar (Available with Aluminum and Titanium backrest option. Not available with a Non-Folding, Fixed Height Titanium Seat Back Type. 4" Deep Rigidizer Bar is NOT a rounded style rigidizer bar.)..... **NCO**
- TSB13 Custom Height Backrest Rigidizer Bar (The Standard Rigidizer Bar height is 5" above the Seat Sling for a short, 6" for a medium and 10" for a tall. Custom Height Rigidizer Bar must be at least 4-1/2" above Seat Sling. Maximum Height is 3" less than Lowest Seat Back Height without push handles.)..... **\$170**
Set at: _____ (Use 1/4" increments)

SEAT BACK ANGLE Ⓜ Measure angle from front of back post to floor.

- TSBA1 **Folding Back**
 80° 83° 86° 89° 92° 95° 98° 101°..... **NCO**
- TSBA1 **Non-Folding Back**
 80° 81° 82° 83° 84° 85° 86° 87° 88°
 89° 90° 91° 92° 93° 94° 95° 96° 97°
 98° 99° 100° 101°..... **NCO**

CENTER OF GRAVITY Ⓜ Measure from front of back post at the seat tube to the center of the rear axle. If no center of gravity is selected, chair will ship with the center of gravity in the rearward-most position.

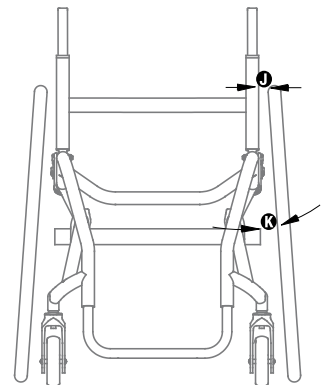
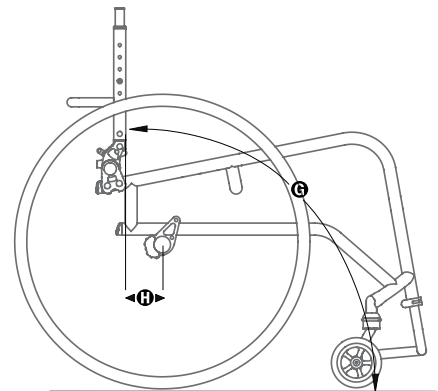
- TCOG1 1" 1.25" 1.5" 1.75" 2" 2.25" 2.5" 2.75"
 3" 3.25" 3.5" 3.75" 4" 4.25" 4.5" 4.75"
 5" 5.25" 5.5" 5.75" 6"..... **STD**

REAR WHEEL SPACING Ⓜ/PLUGS Measure from outside of seat back post to inside of rear tire. .5" Rear Wheel Spacing on TR not available with 0° or 2° Camber. Aero T and TRA .75" Rear Wheel Spacing not available with 0° or 2° Camber Ⓜ.

- TRWS1 .5" (TR Only) .75" 1" 1.25" 1.5" 1.75" 2"..... **STD**
- TCBR12 Adjustable Rear Wheel Spacing Camber Plugs (Not available with Power Adaptable Frame.)..... **STD**
- TCBR9 Additional Spacers to Increase Rear Wheel Spacing..... **NCO**
- TCBR11 Zero Play Aluminum Camber Plugs (Not available with Power Adaptable Frame or more than 6° of Camber Ⓜ.)..... **NCO**

CAMBER Ⓜ/CAMBER TUBES

- TCBR1 0° 2° 4° 6° 8° 12° (More than 6° of Camber Ⓜ is not available with Zero Play Aluminum Camber Plugs.)..... **STD**
- TCBR15 Aluminum Camber Tube..... **STD**
- TCBR3 Titanium Camber Tube (Not available with Power Adaptable Frame.)..... **\$200**



TiLite AERO T Order Form

CUSTOM CONFIGURATION OPTIONS

FRONT WHEELS

TFW24 <input type="checkbox"/> 3"x1.5" LiteSpeed Billet Aluminum Wheel w/Soft Roll Tire <input type="checkbox"/> Silver Hub OR <input type="checkbox"/> Black Hub.....	\$190
TFW14 <input type="checkbox"/> 4"x.75" Plastic Wheel w/Poly Tire (Not available with Slipstream Fork, Glide™ Single-Sided Fork or Power Adaptable Frame.).....	NCO
TFW3 <input type="checkbox"/> 4"x.75" Light-Up Micro-Caster (Not available with Slipstream Fork, Glide™ Single-Sided Fork or Power Adaptable Frame.).....	\$80
TFW25 <input type="checkbox"/> 4"x.75" LiteSpeed Billet Aluminum Wheel w/Poly Tire <input type="checkbox"/> Silver Hub OR <input type="checkbox"/> Black Hub	\$150
TFFW26 <input type="checkbox"/> 4"x1.5" LiteSpeed Plastic Wheel w/Soft Roll Tire (Not available with Power Assist, Power Add-on System or Heavy Duty Frame.).....	\$95
TFW27 <input type="checkbox"/> 4"x1.5" LiteSpeed Billet Aluminum Wheel w/Soft Roll Tire <input type="checkbox"/> Silver Hub OR <input type="checkbox"/> Black Hub.....	\$200
TFW6 <input type="checkbox"/> 5"x1" Plastic Wheel w/Poly Tire (Not available with 90° Front Angle Ⓛ , Slipstream Fork, Glide™ Single-Sided Fork or Power Adaptable Frame.).....	NCO
TFW28 <input type="checkbox"/> 5"x1.5" LiteSpeed Plastic Wheel w/Soft Roll Tire (Not available with 90° Front Angle Ⓛ or Power Adaptable Frame.).....	\$95
TFW29 <input type="checkbox"/> 5"x.75" LiteSpeed Billet Aluminum Wheel w/Poly Tire <input type="checkbox"/> Silver Hub OR <input type="checkbox"/> Black Hub (Not available with 90° Front Angle Ⓛ).....	\$170
TFW30 <input type="checkbox"/> 5"x1.5" LiteSpeed Billet Aluminum Wheel w/Soft Roll Tire <input type="checkbox"/> Silver Hub OR <input type="checkbox"/> Black Hub (Not available with 90° Front Angle Ⓛ).....	\$215
TFW9 <input type="checkbox"/> 6"x1" Plastic Wheel w/Poly Tire (Not available with 85° or 90° Front Angle Ⓛ , Slipstream Fork, Glide™ Single-Sided Fork or Power Adaptable Frame.).....	NCO
TFW34 <input type="checkbox"/> 6"x1" LiteSpeed Billet Aluminum Wheel w/Poly Tire <input type="checkbox"/> Silver Hub OR <input type="checkbox"/> Black Hub (Not available with 85° or 90° Front Angle Ⓛ , Slipstream Fork, Glide™ Single-Sided Fork.).....	\$190
TFW32 <input type="checkbox"/> 6"x1.5" LiteSpeed Plastic Wheel w/Soft Roll Tire (Not available with 85° or 90° Front Angle Ⓛ , Slipstream Fork, Glide™ Single-Sided Fork or Power Adaptable Frame.).....	\$100
TFW33 <input type="checkbox"/> 6"x1.5" LiteSpeed Billet Aluminum Wheel w/Soft Roll Tire <input type="checkbox"/> Silver Hub OR <input type="checkbox"/> Black Hub (Not available with 85° or 90° Front Angle Ⓛ , Slipstream Fork, Glide™ Single-Sided Fork.).....	\$225

PRECISION LOCK FRONT FORKS

TFK1 <input type="checkbox"/> TiLite Standard Fork.....	STD
TFK2 <input type="checkbox"/> TiLite Slipstream Single-Sided Fork (Not available with Power Adaptable Frame.).....	\$170
TGL1 <input type="checkbox"/> Out-Front Glide™ Suspension Fork (Black anodize only.).....	\$485
Rider's Weight: <input type="checkbox"/> 125 lbs. <input type="checkbox"/> 125-180 lbs. <input type="checkbox"/> 180-265 lbs7	
TGL2 <input type="checkbox"/> Out-Front Glide™ Single-Sided Suspension Fork (Black anodize only. Not available with 6" Front Wheels.).....	\$625
Rider's Weight: <input type="checkbox"/> 125 lbs. <input type="checkbox"/> 125-180 lbs. <input type="checkbox"/> 180-265 lbs.	
TTFS1 <input type="checkbox"/> Titanium Fork Stem.....	\$60

STANDARD REAR WHEELS (See Rear Seat Height Ranges Chart on Page 1 for Rear Seat Height **Ⓛ** limitations.)

TRW14 TiLite SHADOW™.....	STD
<input type="checkbox"/> 20"(451)	
<input type="checkbox"/> 22"(501)	
<input type="checkbox"/> 24"(540)	
<input type="checkbox"/> 25"(559) (Requires 15" minimum Seat Depth Ⓛ .)	
<input type="checkbox"/> 26"(590) (Requires 15" minimum Seat Depth Ⓛ .)	

PERFORMANCE REAR WHEELS (See Rear Seat Height Ranges Chart on Page 1 for Rear Seat Height **Ⓛ** limitations.)

TRW7 Spinergy SPOX <input type="checkbox"/> Black <input type="checkbox"/> Red <input type="checkbox"/> Yellow <input type="checkbox"/> Blue <input type="checkbox"/> White	\$845
<input type="checkbox"/> 22"(501) - Std. Hub	
<input type="checkbox"/> 24"(540) - Std. Hub	
<input type="checkbox"/> 25"(559) - Std. Hub (Requires 15" minimum Seat Depth Ⓛ .)	
<input type="checkbox"/> 26"(590) - Sport Hub (Requires 15" minimum Seat Depth Ⓛ . Not available with Quad Release Axles.)	
TRW8 Spinergy LX <input type="checkbox"/> Black <input type="checkbox"/> Red <input type="checkbox"/> Yellow <input type="checkbox"/> Blue <input type="checkbox"/> White <input type="checkbox"/> Go Green <input type="checkbox"/> Bright Orange <input type="checkbox"/> Flamingo Pink....	\$1,060
<input type="checkbox"/> 22"(501) - Std. Hub	
<input type="checkbox"/> 24"(540) - Std. Hub	
<input type="checkbox"/> 25"(559) - Std. Hub (Requires 15" minimum Seat Depth Ⓛ .)	
<input type="checkbox"/> 26"(590) - Sport Hub (Requires 15" minimum Seat Depth Ⓛ . Not available with Quad Release Axles.)	
TRW16 Spinergy Carbon Blade (Not available with Heavy Duty Frame, Natural-Fit or Natural-Fit LT with Standard Grip or Super Grip.).....	\$1,480
<input type="checkbox"/> 24"(540)	
<input type="checkbox"/> 25"(559) (Requires 15" minimum Seat Depth Ⓛ .)	
TRW17 X-Core Mag (Not available with Heavy Duty Frame, Short Tabs, Quad Release Axles, Spoke Guards or Omit Handrims Option. Requires Aluminum Silver Anodized Handrims.).....	\$60
<input type="checkbox"/> 20"(451)	
<input type="checkbox"/> 22"(501)	
<input type="checkbox"/> 24"(540)	

AXLES

TAXL1 <input type="checkbox"/> Stainless Quick Release	STD
TAXL2 <input type="checkbox"/> Titanium Quick Release	\$255
TAXL3 <input type="checkbox"/> Quad Release (Not available with Mag or 26"(590) Spinergy Spox or LX Rear Wheels.).....	\$155

PNEUMATIC REAR TIRES

TRTR1 <input type="checkbox"/> Treaded (Not available with 25"(559) Rear Wheels.)	STD
TRTR2 <input type="checkbox"/> Airless Inserts (Not available with Spinergy Carbon Blade Rear Wheels.).....	\$90
TRTR3 <input type="checkbox"/> 25"(559) Primo Treaded (Standard with 25"(559) Rear Wheels.)	STD
TRTR4 <input type="checkbox"/> Primo Slick.....	NCO
TRTR30 <input type="checkbox"/> 24"(540), 25"(559) and 26"(590) Primo Sentinel	\$125
TRTR8 <input type="checkbox"/> 24"(540), 25"(559) and 26"(590) Schwalbe® Marathon Plus Evolution	\$140
TRTR9 <input type="checkbox"/> 24"(540) and 25"(559) Schwalbe® Slick	\$145
TRTR24 <input type="checkbox"/> 24"(540) Kenda Kobra Knobby	\$95

TiLite AERO T Order Form

CUSTOM CONFIGURATION OPTIONS

SOLID REAR TIRES (Not available with Spinergy Carbon Blade Rear Wheels.)

TRTR22 <input type="checkbox"/> 20"(451), 22"(501), 24"(540) and 25"(559)Primo Express.....	\$110
TRTR23 <input type="checkbox"/> 24"(540) and 25"(559) Primo Active.....	\$135

HANDRIMS

Handrims by OUT-FRONT®

TRIM1 <input type="checkbox"/> Aluminum – Silver Anodized.....	STD
TRIM21 <input type="checkbox"/> Aluminum – Black Anodized (Not available with 20"(451) Rear Wheels.).....	NCO
TRIM12 <input type="checkbox"/> Titanium – Satin Finish (Not available with 20"(451) or 22"(501) Rear Wheels, or 24"(540) Knobby tires.).....	\$470
TRIM10 <input type="checkbox"/> The Surge (All-In-One Oval with Gription™ Strip, Larger Profile) (Not available with 20"(451) Rear Wheels.).....	\$400
TRIM11 <input type="checkbox"/> The Surge LT (All-In-One Oval with Gription™ Strip, Smaller Profile) (Not available with 20"(451) Rear Wheels.).....	\$430
TRIM20 <input type="checkbox"/> Q-Grip (Exclusive High-Friction, Anti-Slip Coating) (Not available with 20"(451)Rear Wheels.).....	\$330
The Natural-Fit® (Original, Larger Profile) (Not available with 20"(451) Rear Wheels.)	
TRIM14 <input type="checkbox"/> Standard Grip (Not available with Short Tabs or Spinergy Carbon Blade Rear Wheels.).....	\$395
TRIM15 <input type="checkbox"/> Super Grip (Not available with Short Tabs or Spinergy Carbon Blade Rear Wheels.).....	\$430
TRIM16 <input type="checkbox"/> Without Thumb Grip.....	\$360
The Natural-Fit® LT (Reduced Weight, Smaller Profile) (Not available with 20"(451) Rear Wheels.)	
TRIM17 <input type="checkbox"/> Standard Grip (Not available with Short Tabs or Spinergy Carbon Blade Rear Wheels.).....	\$415
TRIM18 <input type="checkbox"/> Super Grip (Not available with Short Tabs or Spinergy Carbon Blade Rear Wheels.).....	\$475
TRIM19 <input type="checkbox"/> Without Thumb Grip.....	\$390

Additional Handrim Options



TRIM5 <input type="checkbox"/> Plastic Coated – Black.....	\$160
TRIM6 <input type="checkbox"/> Projections - 8 Vertical Projections (Not available with 20" (451) 22"(501), 26"(590), Carbon Blade Rear Wheels.).....	\$370
TRIM22 <input type="checkbox"/> Omit Handrims.....	NCO

Tab Length

TRIM7 <input type="checkbox"/> Long Tabs.....	STD
TRIM8 <input type="checkbox"/> Short Tabs (Not available with Mag Rear Wheels or The Natural-Fit® Handrims with Thumb Grip.).....	\$25

WHEEL LOCKS

Wheel Locks by OUT-FRONT®

TWLK7 <input type="checkbox"/> Compact Composite Push to Lock (Available with .75" to 1.5" Rear Wheel Spacing  only.).....	NCO	
TWLK8 <input type="checkbox"/> Compact Composite Pull to Lock (Available with .75" to 1.5" Rear Wheel Spacing  only.).....	NCO	
TWLK10 <input type="checkbox"/> Extension Handles for Compact Composite Push/Pull to Lock.....	\$85	E0961
TWLK9 <input type="checkbox"/> Composite Scissor Lock.....	\$145	




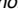



Additional Wheel Locks

TWLK3 Uni-Lock Set At: <input type="checkbox"/> Push OR <input type="checkbox"/> Pull.....	\$165	
TWLK4 <input type="checkbox"/> Extension Handles for Uni-Lock.....	\$85	E0961

BACK UPHOLSTERY (Want more seating options? [Click here](#) to view the new TiLite Seating Order Form.)

TBUP2 <input type="checkbox"/> Velcro Adjustable (Not available with Fold-Down Push Handles.).....	STD	
Tension Adjustable by Straps (Required with Fold-Down Push Handles.)		
TBUP3 <input type="checkbox"/> Padded Nylon.....	\$340	E2611
TBUP5 <input type="checkbox"/> AIR Breathable Upholstery (Not available with Ultrasuede or NiteLite Backrest Stripe.).....	\$340	E2611
TUPC3 Ultrasuede Backrest Stripe <input type="checkbox"/> Black <input type="checkbox"/> Sapphire <input type="checkbox"/> Red Pepper <input type="checkbox"/> Burnt Orange <input type="checkbox"/> Ultraviolet		
<input type="checkbox"/> TiLite NiteLite Reflective.....	\$105	
TBUP0 <input type="checkbox"/> Omit Back Upholstery.....	NCO	


SEAT UPHOLSTERY

TSUP1 <input type="checkbox"/> Tension Adjustable Bolt On (Not available with Ergonomic or Tapered Seat  . Black only.).....	STD	
TSUP7 <input type="checkbox"/> iSleeve™ Under Seat Smartphone Holder (Not available with 12" or 13" Rear Seat Width  or Seat Depth  .).....	NCO	
TSUP2 <input type="checkbox"/> Tension Adjustable by Straps (Standard with Ergonomic Seat  and Front Seat Width (Seat Taper)  of 1", 2" or 3". Black upholstery only.).....	\$185	
TSUP8 <input type="checkbox"/> Aluminum Solid Seat (Not available with 10" or 11" Rear Seat Width  or Ergonomic Seat  .).....	\$285	E2231
TSUP0 <input type="checkbox"/> Omit Seat Upholstery.....	NCO	

SEAT CUSHION (Want more seating options? [Click here](#) to view the new TiLite Seating Order Form.)

TCSH2 <input type="checkbox"/> Comfort Curve Cushion.....	\$120	E2601
TCSH1 Foam Cushion <input type="checkbox"/> 2" <input type="checkbox"/> 3" <input type="checkbox"/> 4".....	\$120	

SIDE GUARDS

TSDG1 <input type="checkbox"/> Cloth (Not available with Ride Designs Corbac Back Support.).....	\$100
Aluminum	
TSDG2 <input type="checkbox"/> Rigid Removable <input type="checkbox"/> Small OR <input type="checkbox"/> Std.....	\$200
TSDG3 <input type="checkbox"/> Quad Removable w/Hole <input type="checkbox"/> Small OR <input type="checkbox"/> Std.....	\$215
TSDG4 <input type="checkbox"/> Fold Down Rigid <input type="checkbox"/> Small OR <input type="checkbox"/> Std (Not available with Ergonomic Seat.).....	\$335
TSDG6 <input type="checkbox"/> Fendered Adjustable (Available with 24" and 25" Rear Wheels. Requires Rear Seat Height  of 14.5" to 18.5".).....	\$335

TiLite AERO T Order Form

CUSTOM CONFIGURATION OPTIONS

Carbon Fiber

- TSDG7 Rigid Removable Small **OR** Std.....\$310
- TSDG8 Quad Removable w/Hole Small **OR** Std.....\$320
- TSDG9 Fold Down Rigid Small **OR** Std (Not available with Ergonomic Seat or Carbon Edition.).....\$460
- TSDG11 Fendered Adjustable (Available with 24" and 25" Rear Wheels. Requires Rear Seat Height **Ⓢ** of 14.5" to 18.5").....\$565
- TSDG12 Fendered Removable.....\$455

Available on Aluminum and Carbon Fiber Non-Fendered Side Guards

- TSDG13 Side Guards Custom Cut to Profile of Rear Wheels (Not available with Cloth.).....\$315

ARMRESTS (Desk Arms come with built-in Side Guards.)

- TARM1 Swing Away Tubular 9" to 12" **OR** 11" to 14" (Not Available with Non-Folding, Fixed Height Titanium Seat Back or Height Adjustable Push Handles.).....\$225 **E0973**
- TARM4 Swing Away - Flip Back Tubular 9" to 12" (Not Available with Non-Folding, Fixed Height Titanium Seat Back.).....\$315 **E0973**
- TARM2 Removable Height Adjustable Desk Arm with Rigid Side Guard (Requires 14" minimum Seat Depth **Ⓢ**. Not available with Ergonomic Seat.).....\$335 **E0973**
 - 9" to 12" **OR** 12" to 15"
 - Standard Length Pad (10") **OR** Full Length Pad (14")
- TARM3 Removable Height Adjustable Desk Arm with Rigid Side Guard and Transfer Loop (Requires 15" minimum Seat Depth **Ⓢ**. Not Available with Ergonomic Seat.).....\$375 **E0973**
 - 9" to 12" **OR** 12" to 15"
 - Standard Length Pad (10") **OR** Full Length Pad (14")

Available Armrest Option

- TARM5 Covered in Black Ultrasuede (Not available with Desk Arms.).....\$110

SEAT BELTS

- TBLT1 Velcro Adjustable, Black Nylon Webbing.....\$55 **E0978**
- TBLT2 Bodypoint® 2" Push-Button Buckle (Auto-Style.).....\$95 **E0978**
- TBLT4 Bodypoint® 1" Wide Push-Button Buckle Padded (Auto-Style.) (Not available with 19" or 20" Rear Seat Widths **Ⓢ**.).....\$180 **E0978**
- TBLT5 Bodypoint® 1.5" Wide Push-Button Buckle Padded (Auto-Style.) (Not available with 19" or 20" Rear Seat Widths **Ⓢ**.).....\$170 **E0978**
- TBLT10 Bodypoint® Optional Band Clamp Mounting Hardware.....\$20 **K0108**
- TBLT15 Bodypoint® EvoFlex® Pelvic Stabilizer Swivel Buckle.....\$185 **E0978**
- TBLT16 Bodypoint® EvoFlex® Pelvic Stabilizer Push Button.....\$185 **E0978**
- TBLT17 Bodypoint® EvoFlex® Pelvic Stabilizer Rehab Latch\$185 **E0978**

CALF STRAP

- TCLF2 Velcro Adjustable.....\$40 **K0038**
 - Xtra Small (Recommended for 6" - 9" Footrest Widths.)
 - Small (Recommended for 9" - 12" Footrest Widths.)
 - Medium (Recommended for 11" - 15" Footrest Widths.)
 - Large (Recommended for 14" - 17" Footrest Widths.)
 - Xtra Large (Recommended for 16"- 19" Footrest Widths.)
- TCLF3 Bodypoint® Padded Velcro Adjustable.....\$100 **K0038**
 - Medium (Recommended for 11"- 15" Footrest Widths.)
 - Large (Recommended for 16"- 19" Footrest Widths.)
- TCLF1 Buckle Adjustable, Black Nylon Webbing.....\$30 **K0038**

BACKPACK

- TBCK3 Black Permobil Backpack.....\$95

SEAT POUCH

- TPCH3 Black Permobil Seat Pouch.....\$60
- TPCH4 Bodypoint® Mobility Bag.....\$100

SPOKE GUARDS

- TGRD1 Clear Lexan with TiMotion Logo (Not available with Mag Rear Wheels.).....\$135 **K0065**

ANTI-TIPS

- TTIP1 Rear Aluminum - Black.....\$160 **E0971**
- TTIP2 User Friendly Flip-up (Not available with Frog Legs® Rear Suspension.).....\$335 **E0971**

ACCESSORIES

- TUEST1 Upper Extremity Support Tray 12" to 14" **OR** 13" to 15" Seat Widths **Ⓢ** (Requires Armrests.).....\$290 **E0950**
- TLUG1 Luggage Carriers.....\$145
- TGS1 GRIP Solutions Lap Board.....\$55
- TMPCT2 Neoprene Impact Guards with Ultrasuede Stripe Black Sapphire Red Pepper Burnt Orange
 - Ultraviolet TiLite NiteLite Reflective.....\$105
- TCH1 Crutch Holder.....\$225 **E2207**
- TAFP1 4" Logo Patch Army Navy Air Force Marines.....\$105

TiLite AERO T Order Form

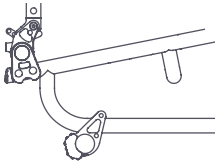
Effective March 5, 2018 (New Items in Red)

DUAL-TUBE RIGID FRAME

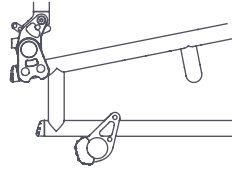
Page 8 of 8

FRAME NOTES

The rear frame for a TR will be square when the Center of Gravity \odot measurement is less than 3.5". Aero T and TRA will always be a Rounded Rear Frame.



A. Round Rear Frame



B. Square Rear Frame

GENERAL

Permobil manufactures TiLite manual wheelchairs in a wide variety of configurations to meet the varied needs of wheelchair users. The final selection of a particular model, its options and accessories, and its measurements rests solely with the wheelchair user and advising healthcare professional. These wheelchairs must be fitted by a qualified healthcare professional. HCPCS Codes are for reference purposes only. Actual coding and coverage varies by payer. Proper HCPCS coding is not a guarantee of payment. Please verify the appropriate payer's coverage policy.

Trademarks are identified by symbols™ and ®. TiLite, TiFit, the TiLite logo, Ti, the Ti logo, The Titanium Experts, and TiShaft are registered trademarks of TiSport, LLC and are licensed to Permobil. Permobil® is a registered trademarks of Permobil. Adobe®, Acrobat®, Acrobat Professional® and Reader® are registered trademarks of Adobe Systems Inc. Bodypoint® is a registered trademark of Bodypoint Inc. Kenda® is a registered trademark of Kenda Rubber Industrial Co. Ltd. Ride Designs® and Corbac® are registered trademarks of Aspen Seating, LLC. ROHO®, Low Profile® and Quadro Select® are registered trademarks of ROHO Inc. Schwalbe® is a registered trademark of Ralf Bohle GmbH. Supracor®, Stimulite® and Corbee® are registered trademarks of Supracor, Inc. The Natural-Fit® and Out-Front® are registered trademarks of Three Rivers Holdings, LLC. Varilite® is a registered trademark of Cascade Designs, Inc.

QUOTE THIS CHAIR

If you are using Adobe Acrobat, this order form may be converted into a quote request or into an order by clicking one of the buttons (this feature is available exclusively to Permobil dealers and distributors). A Quote or an Order Confirmation will be sent to you within 24 hours.

ORDER THIS CHAIR