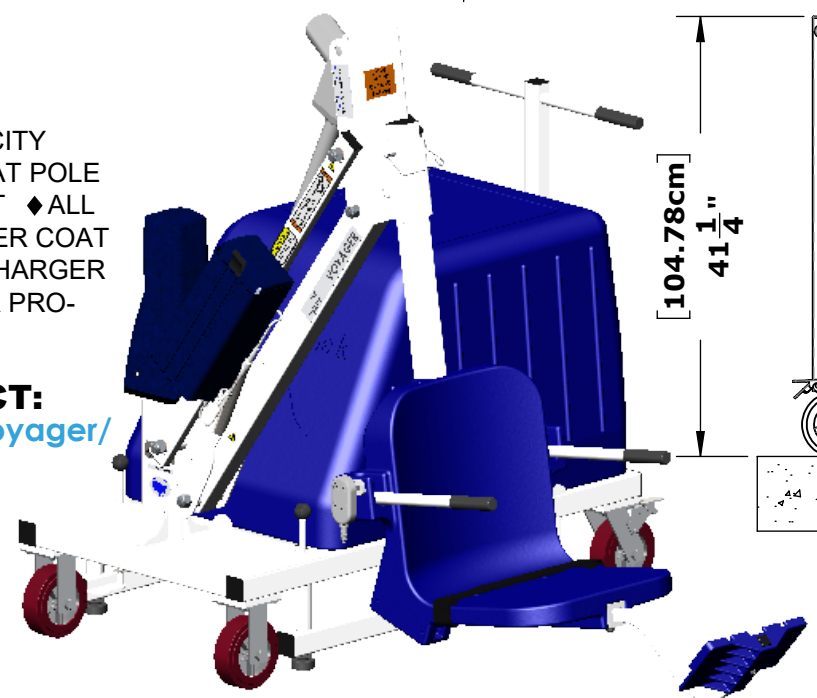


FEATURES

- ◆ UL CERTIFIED ◆ 325 LB. (147 kg.) WEIGHT CAPACITY
- ◆ WHISPER QUIET 255° ROTATION ◆ ADJUSTABLE SEAT POLE
- ◆ WATER DRAFT UP TO 12" (30cm) ◆ FLIP UP ARMREST ◆ ALL STAINLESS STEEL CONSTRUCTION ◆ DURABLE POWDER COAT FINISH ◆ RECHARGEABLE BATTERY & WALL MOUNT CHARGER
- ◆ FIVE YEAR STRUCTURAL WARRANTY ◆ FIVE YEAR PRO-RATED ELECTRONICS WARRANTY

CLICK HERE TO VIEW THIS PRODUCT:
<https://aquacreekproducts.com/the-mighty-voyager/>



MIGHTY VOYAGER
U.S. PATENT NO. 10,792,203
PART NO. F-VGRPL

MATERIAL: 304L STAINLESS STEEL
FINISH: POWDER COAT - WHITE
APPROX. WEIGHT: 339.17 LBS.

TOLERANCES
 DIMENSIONS ARE IN INCHES
 UNLESS OTHERWISE SHOWN
 FRACTIONAL: ±1/16
 ANGULAR: ±1°
 TWO PLACE DECIMAL: ±.01
 THREE PLACE DECIMAL: .. ±.005

PROPRIETY AND CONFIDENTIAL INFORMATION
 THIS DRAWING AND ALL INFORMATION CONTAINED HEREIN IS THE SOLE PROPERTY OF AQUA CREEK PRODUCTS LLC. ANY REPRODUCTION IN PART OR AS A WHOLE WITHOUT WRITTEN PERMISSION FROM AQUA CREEK IS PROHIBITED.
 *SPECIFICATIONS ARE SUBJECT TO CHANGE WITHOUT NOTICE

REVISIONS			
REV.	DESCRIPTION	DATE	APPROVED
P1	PRODUCTION RELEASE	5/18/2021	J.MAXWELL



9889 GARRYMORE LANE
MISSOULA, MT 59808
(406) 549-0769
FAX (406) 549-2602
www.AquaCreek.com

PRODUCT NAME: Mighty™ Voyager Pool/Spa Access Lift

CSI SECTION: 13 11 46 Swimming Pool Accessories

APPLICATIONS:

- Fully recessed and partially recessed Pools & Spas with up to **10-inch (25.40cm)** high curbs or walls.

SUBMITTALS:

- Alternate make or model lifts will not be considered unless equal to the specified product in every respect. Alternative products must be submitted for approval no less than ten (10) calendar days prior to the bid due date. Submittal data must include complete documentation relating to all the specified features and include all manufacturer’s sales literature, specification sheets, installation/operation manuals, engineered drawings and documents that support the strength, service capacity, and the ability to meet the appropriate Federal Regulatory Standards associated with the product.

QUALITY ASSURANCE:

- The product must be a standard product of a company registered with the United States Food and Drug Administration (FDA) as a class 1 medical device manufacturer and that is regularly engaged in the manufacture of commercial grade swimming pool and spa accessibility equipment.
- The product shall be structurally capable of supporting a **325 pound (147.42kg)** load capacity and static load tested to 1.5 times the rated load.
- The product shall be certified to be compliant with UL test standard 60335-2-1000 Standard of Household and Similar Appliances: Particularly Requirements for Electrically Powered Pool Lifts.
- The product shall be tested and confirmed to comply with design standards outlined in the United States ADA Accessibility Standards for Accessible Designs.

SPECIFICATIONS:

- The products main structure shall be constructed of type 304 stainless steel; no dissimilar metallic components shall be allowed. The product shall be finished with a minimum 4-mil thick, UV resistant powder coat finish. All fastening hardware shall be of type 316 stainless steel. Product shall be supplied with a Linak Actuator suitable for medical use, a separate wall mount battery charger, a hand-held controller, and a 24-volt rechargeable battery.
- The chair of the product shall be of a rigid one-piece, polyethylene, molded design. The minimum seat width shall be **18-inches (45.72cm)** and the seat back shall be a minimum height of **17.5-inches (44.45cm)**. The seat shall feature dual flip-up arms and supplied with a 2-inch (5.08cm) wide adjustable safety belt with hook and loop fasteners.
- The product shall be capable of accommodating a deck to water distance (water draft) of up to **12-inches (30.48cm)**.
- An adjustable and removable footrest that moves with the seat shall be supplied with the product.

WARRANTY:

- Product shall have a minimum 5 year structural and 5 year pro-rated electronic warranty.

LIFT PART NUMBERS:

Item No	Order No	Description
F-VGRPL	INV02592	Mighty Voyager Lift White Powder Coat w/Blue Seat
F-VGRPL-T	INV02593	Mighty Voyager Lift White Powder Coat w/Tan Seat
F-VGRPL-G	INV02594	Mighty Voyager Lift White Powder Coat w/Gray Seat
F-VGRPL-C	INV02595	Mighty Voyager Lift (Specify Seat and Powder Coat Colors)

PRODUCT OPTIONS:

Item No	Order No	Description
F-0904CVR	INV01990	Mighty Voyager Lift Seat Cover in Blue
F-MTLCB	INV01748	Mighty Voyager Lift Protective Lift Cover in Blue
F-MTLCT	INV01887	Mighty Voyager Lift Protective Lift Cover in Tan
F-MTLCG	INV01888	Mighty Voyager Lift Protective Lift Cover in Gray
F-044SCH	INV01403	Mighty Voyager Lift Solar Charger
F-422PLH-2	INV01455	Mighty Voyager Lift Adjustable Head Rest
F-423CS	INV01457	Mighty Voyager Lift Chest Strap
F-MTTC	INV01902	Mighty Voyager Lift Transport Cart (Not for use with Pedestals)
F-734RSA	INV01836	Mighty Voyager Lift Spine Board Assembly
F-LRB	INV01950	Mighty Voyager Lift Pull Out Leg Rest Blue
F-LRT	INV01952	Mighty Voyager Lift Pull Out Leg Rest Tan
F-LTG	INV01954	Mighty Voyager Lift Pull Out Leg Rest Gray
F-LRW	INV01953	Mighty Voyager Lift Pull Out Leg Rest White
F-019CA	INV01379	Mighty Voyager Lift Cycle Attachment

Aqua Creek Products LLC
 9889 Garrymore Lane
 Missoula, MT 59808
www.aquacreekproducts.com
 Tel: 888-687-3552 / 406-549-0769 Fax: 406-541-8958



**9889 GARRYMORE LANE
 MISSOULA, MT 59808
 (406) 549-0769
 FAX (406) 549-2602
 www.AquaCreek.com**

PROPRIETARY AND CONFIDENTIAL INFORMATION

THIS DRAWING AND ALL INFORMATION CONTAINED HEREIN IS THE SOLE PROPERTY OF AQUA CREEK PRODUCTS LLC. ANY REPRODUCTION IN PART OR AS A WHOLE WITHOUT WRITTEN PERMISSION FROM AQUA CREEK IS PROHIBITED.

***SPECIFICATIONS ARE SUBJECT TO CHANGE WITHOUT NOTICE**

© 2021 AQUA CREEK PRODUCTS. ALL RIGHTS RESERVED.