



# Quickie LXI/LX

January 2021

EILXI/EILX

**Mark For:**

**Submitting for:**

Quote

Order

Date: \_\_\_\_\_

PO#: \_\_\_\_\_

Dealer Acct #: \_\_\_\_\_

Dealer: \_\_\_\_\_

Dealer Contact: \_\_\_\_\_

Dealer Address: \_\_\_\_\_

Dealer City: \_\_\_\_\_ ST: \_\_\_\_\_ ZIP: \_\_\_\_\_

Dealer Phone: ( ) \_\_\_\_\_ Fax: ( ) \_\_\_\_\_

Confirmation Email: \_\_\_\_\_

Confirm Via:  Fax  Email

**ADDITIONAL SHIPPING INFORMATION**

Ship To: \_\_\_\_\_

Attention: \_\_\_\_\_

Address: \_\_\_\_\_

Address: \_\_\_\_\_

Ship To City: \_\_\_\_\_ ST: \_\_\_\_\_ ZIP: \_\_\_\_\_

Ship To Phone: ( ) \_\_\_\_\_ Fax: ( ) \_\_\_\_\_

The **HCPCS CODES** herein are based on PDAC verification or interpretation of Medicare definitions and guidelines. Non-Medicare payers may accept alternative **HCPCS CODES**, including misc. codes to ensure access for their enrollees. The use of **HCPCS CODES** does not ensure coverage or payment.

✓	Option #	HCPCS	Definition	Price	✓	Option #	HCPCS	Definition	Price
---	----------	-------	------------	-------	---	----------	-------	------------	-------

**1. FRAME STYLE**

For sizes 14" or less please use HCPCS E1236

<input type="checkbox"/>	065WM31	K0005	Quickie LXI (Adjustable Axle Plate) 265 lbs Weight Capacity	\$2,783.00	<input type="checkbox"/>	065WM30	K0004	Quickie LX (Non Adjustable Axle Plate) 250 lbs Weight Capacity	\$2,723.00
--------------------------	---------	-------	--	------------	--------------------------	---------	-------	---	------------

**2. FRAME SET UP**

**Transit Option**

Includes stabilizer bar. Only on LXI. N/A w/ padded swing away armrest

<input type="checkbox"/>	065TO1	K0108	Transit System	\$326.00
--------------------------	--------	-------	----------------	----------

**Frame Width**

<input type="checkbox"/>	065W3		12"	NC
<input type="checkbox"/>	065W4		13"	NC
<input type="checkbox"/>	065W5		14"	NC
<input type="checkbox"/>	065W6		15"	NC
<input type="checkbox"/>	065W7		16"	NC
<input type="checkbox"/>	065W8		17"	NC
<input type="checkbox"/>	065W9		18"	NC
<input type="checkbox"/>	065W41		19"	\$128.00
<input type="checkbox"/>	065W11	E2201	20"	\$510.00

**Seat Depth**

12"-14" N/A w/ 8" casters or 24" wheels

<input type="checkbox"/>	065SD5		12"	NC
<input type="checkbox"/>	065SD6		13"	NC
<input type="checkbox"/>	065SD7		14"	NC
<input type="checkbox"/>	065SD8		15"	NC
<input type="checkbox"/>	065SD9		16"	NC
<input type="checkbox"/>	065SD10		17"	NC
<input type="checkbox"/>	065SD11		18"	NC
<input type="checkbox"/>	065SD74		19"	\$128.00
<input type="checkbox"/>	065SD13	E2203	20"	\$561.00

**3. FRONT SEAT HEIGHT SET UP**

**Front Seat Height**

Rear STFH ranges from 0" to 1 1/2" lower than front STFH

<input type="checkbox"/>	065SH12		15"	NC
<input type="checkbox"/>	065SH13		15.5"	NC
<input type="checkbox"/>	065SH14		16"	NC
<input type="checkbox"/>	065SH15		16.5"	NC
<input type="checkbox"/>	065SH16		17"	NC
<input type="checkbox"/>	065SH17		17.5"	NC
<input type="checkbox"/>	065SH18		18"	NC
<input type="checkbox"/>	065SH20		18.5"	NC
<input type="checkbox"/>	065SH21		19"	NC
<input type="checkbox"/>	065SH23		19.5"	NC
<input type="checkbox"/>	065SH24		20"	NC
<input type="checkbox"/>	065SH26		20.5" (Only available on swing away)	NC

Wheel	FRONT SEAT HEIGHT ORDERING GUIDE				
	Caster				
	4"	5"	6"	8" POLY	8"x2"PNU
20"	15.0	15.0	16.0		18.0
	15.5	16.0	16.5		
	16.0	16.5	17.0		
	16.5	17.0	17.5		
	17.0	17.5	18.0		
22"	17.5	18.0			
	18.0	18.5	18.5		
	18.5	19.0			
	19.0	19.0	19.0		
	19.5	19.5			
24"	20.0	20.0			
	20.5	20.5			
	21.0	21.0	21.0	18.5	18.0
	21.5	21.5	21.5	19.0	19.0
	22.0	22.0	22.0	19.5	19.5
25"	22.5	22.5			
	23.0	23.0			
	23.5	23.5			
	24.0	24.0	24.0	18.5	19.0
	24.5	24.5	24.5	19.0	19.5
26"	25.0	25.0			
	25.5	25.5			
	26.0	26.0			
	26.5	26.5			
	27.0	27.0	27.0	18.5	18.0

✓	Option #	HCPCS	Definition	Price	✓	Option #	HCPCS	Definition	Price
<b>3. FRONT SEAT HEIGHT SET UP (CONT)</b>									

<b>Caster Wheels</b>				
<input type="checkbox"/>	065CW3		4" Low Profile Polyurethane	NC
<input type="checkbox"/>	065CW31		4" Micro Lighted	\$71.00
<input type="checkbox"/>	065CW72		4" x 1" Aluminum Polyurethane	\$112.00
<input type="checkbox"/>	065CW44	E2219	4" x 1.25" Semi Pneumatic	\$56.00
<input type="checkbox"/>	065CW64		4" x 1.5" Aluminum Soft Roll	\$189.00
<input type="checkbox"/>	065CW5		5" Low Profile Polyurethane	NC
<input type="checkbox"/>	065CW51		5" Micro Lighted	\$87.00
<input type="checkbox"/>	065CW65		5" x 1" Aluminum Polyurethane	\$112.00
<input type="checkbox"/>	065CW7	E2219	5" x 1.5" Semi-Pneumatic	\$87.00
<input type="checkbox"/>	065CW54	E2219	5" Soft Roll (Grey) N/A w/ Frog Legs	\$92.00
<input type="checkbox"/>	065CW66		5" x 1.5" Aluminum Soft Roll	\$199.00
<input type="checkbox"/>	065CW34		6" Polyurethane	NC
<input type="checkbox"/>	065CW33	E2214 E2215	6" Pneumatic	\$77.00
<input type="checkbox"/>	065CW35	E2219	6" x 1.5" Semi Pneumatic	\$87.00
<input type="checkbox"/>	065CW68		6" x 1.5" Aluminum Soft Roll	\$209.00
<input type="checkbox"/>	065CW16		7" Polyurethane	NC
<input type="checkbox"/>	065CW32		8" Polyurethane	NC
<input type="checkbox"/>	065CW21	E2214 E2215	8" Pneumatic	\$87.00
<input type="checkbox"/>	065CW39	E2219	8" x 1.5" Semi Pneumatic	\$87.00
<input type="checkbox"/>	065CW36	E2214 E2215	8" x 2" Pneumatic	\$148.00
<input type="checkbox"/>	065CW37	E2214 K0108	8" x 2" Pneumatic w/Airless Insert	\$230.00
<input type="checkbox"/>	065CW38		Omit Caster Wheel	NC

<b>Caster Forks</b>				
<input type="checkbox"/>	065CF62		3"	NC
<input type="checkbox"/>	065CF9		4 3/4"	NC
<input type="checkbox"/>	065CF12		5 1/4"	NC
<input type="checkbox"/>	065CF17		6"	NC
<input type="checkbox"/>	065CF23		7"	NC
<input type="checkbox"/>	065CF29		8" x 2"	NC
<input type="checkbox"/>	065CF30		Omit Caster Fork and Wheel	NC

<b>Fork Stems</b>				
<i>Caster pin locks N/A w/ 8"x2" casters</i>				
<input type="checkbox"/>	065CS1		Standard Stem	NC
<input type="checkbox"/>	065CS5		3/4" Stem	NC
<input type="checkbox"/>	065CS9		1 1/2" Stem	NC
<input type="checkbox"/>	065CS7	K0073	Standard Stem w/Pin Locks	\$199.00
<input type="checkbox"/>	065CS11	K0073	3/4" Stem w/Pin Locks	\$199.00
<input type="checkbox"/>	065CS4	K0073	1 1/2" Stem w/Pin Locks	\$199.00

<b>4. HANGER &amp; FOOTPLATE OPTIONS</b>									
--	--	--	--	--	--	--	--	--	--

<b>Hangers</b>				
<input type="checkbox"/>	065H145		60° Swing In/Out Hanger	NC
<input type="checkbox"/>	065H139		70° Swing In/Out Hanger	NC
<input type="checkbox"/>	065H158		90° Swing In/Out Front Mount <i>Only available Ang adj adult &amp; kids footplates</i>	NC
<input type="checkbox"/>	065H159	K0053	Articulating Hanger N/A w/ Platform Flip Up and Alum Angle Adj Front Mount footplates.	\$377.00
<input type="checkbox"/>	065H160	E0990	Elevating Hanger - Ext Mount N/A w/ Platform Flip Up and Alum Angle Adj Front Mount footplates.	\$321.00
<input type="checkbox"/>	065H161	E0990	Elevating Hanger - Front Mount Only available w/ front mount alum angle adj footplates and 14"-22" width	\$321.00
<input type="checkbox"/>	065H32		Omit Hanger	-\$15.00

<b>Extension Tube</b>				
<input type="checkbox"/>	065E1		Short <i>(See Matrix for Lengths)</i> N/A w/ 90° hangers and ELR	NC
<input type="checkbox"/>	065E2		Medium <i>(See Matrix for Length)</i>	NC
<input type="checkbox"/>	065E5		Long <i>(See Matrix for Length)</i> N/A w/ 90o hangers and ELR	NC
<input type="checkbox"/>	065E14		Regular ELR	NC
<input type="checkbox"/>	065E15		Long ELR	NC
<input type="checkbox"/>	065E16		High Mount Only available with angle adj footplates or 60° and 70° hangers	\$77.00

<b>Footplate &amp; Hanger Options (Ext Tube &amp; Direct Mount)</b>				
<input type="checkbox"/>	065HL1	E0951	Heel Loop	\$41.00
<input type="checkbox"/>	065HL5	K0038	Leg Strap	\$41.00
<input type="checkbox"/>	065HL4		Omit Heel Loop	NC
<input type="checkbox"/>	065HL6		Omit Leg Strap	NC
<input type="checkbox"/>	065IG2		Impact Guard Neoprene	\$92.00

<b>Seat Sling to Top of Footrest</b>				
--------------------------------------	--	--	--	--

Hanger	Extension	Seat Sling to Top of Footrest in inches		*Minimum Allowable FSH
		Min	Max	
60° Swing In/Out	Short	11.5	15	15
	Medium	11.5	17	15
	Long	14	18.5	17
70° Swing In/Out	Short	13	18	15
	Medium	13	20	15.5
	Long	16	20.5	17.5
60° Swing In/Out w/Platform Flip Up	Short	11.5	14.5	14
	Long	14	18.5	16
70° Swing In/Out w/Platform Flip Up	Short	13	15.5	15
	Long	15.5	20	17.5
90° Front Mount	No Ext	5.5	11.5	14
ALR	Short	16.5	20	15
	Medium	17.5	20.5	16
	Long	19	20.5	17
ELR Ext. Mount	Short	15.5	19.5	15
	Medium	15.5	20.5	16
	Long	17	20.5	17
ELR Front Mount	No Ext	5.5	9.5	13

<b>Footplates</b>				
<i>Heel loop or leg strap not included, See Footplate Options Section</i>				
<input type="checkbox"/>	065F1		Composite (14"-20"w) Only available w/ 60°, 70°, and ALR	NC
<input type="checkbox"/>	065F48	K0040	Platform Flip Up Available w/ 60°, 70°, or hemi hangers	\$194.00
<input type="checkbox"/>	065F5		Aluminum Footplate	NC
<input type="checkbox"/>	065F3	K0040	Aluminum Angle Adj Adult	\$194.00
<input type="checkbox"/>	065F4	K0040	Aluminum Angle Adj Kids N/A w/ ELR. Only on 12"-16" wide	\$194.00
<input type="checkbox"/>	065F7		Omit Footplate & Ext Tube	-\$15.00

✓ Option # HCPCS Definition Price ✓ Option # HCPCS Definition Price

**5. REAR SEAT HEIGHT SET UP**

Axle			
<input type="checkbox"/>	065AX19	Threaded	NC
<input type="checkbox"/>	065AX3	Quick Release Steel	NC
<input type="checkbox"/>	065AX13	Quad Quick Release	\$128.00

One Arm Drive			
<i>Only available w/ Mag Wheels. Select Standard Rim and either right or left mount</i>			
<input type="checkbox"/>	065AL16	E0958 One Arm Drive Adj. Axle Plate	\$867.00
<input type="checkbox"/>	065OA2	Standard Handrim	NC
<input type="checkbox"/>	065HM1	Right Hand Mount	NC
<input type="checkbox"/>	065HM2	Left Hand Mount	NC

Rear Wheel Type			
<i>Contact Built 4 Me for Spinergy Color Options</i>			
<input type="checkbox"/>	065RW3	20" Mag Wheel	NC
<input type="checkbox"/>	065RW8	22" Mag Wheel	NC
<input type="checkbox"/>	065RW1	24" Mag Wheel	NC
<input type="checkbox"/>	065RW4	20" Spoke Wheel	\$204.00
<input type="checkbox"/>	065RW9	22" Spoke Wheel	\$204.00
<input type="checkbox"/>	065RW2	24" Spoke Wheel	NC
<input type="checkbox"/>	065RW11	26" Spoke Wheel	\$204.00
<input type="checkbox"/>	065RW95	24" Spinergy SPOX Black	\$862.00
<input type="checkbox"/>	065RW96	25" Spinergy SPOX Black	\$862.00
<input type="checkbox"/>	065RW97	26" Spinergy SPOX Black	\$862.00
<input type="checkbox"/>	065RW98	24" Spinergy LX Black	\$1,081.00
<input type="checkbox"/>	065RW99	25" Spinergy LX Black	\$1,081.00
<input type="checkbox"/>	065RW50	24" Mountain	\$255.00
<input type="checkbox"/>	065RW25	Omit Rear Wheel and Axle (Intended Size for Set Up _____)	-\$55.00

Rear Wheel Tire			
<input type="checkbox"/>	065RT1	Pneumatic	NC
<input type="checkbox"/>	065RT2	E2211 E2213 Pneumatic Airless Insert	\$87.00
<input type="checkbox"/>	065RT3	Full Poly	NC
<input type="checkbox"/>	065RT6	E2211 E2212 High-Pressure Clincher	\$97.00
<input type="checkbox"/>	065RT21	E2211 E2212 Schwalbe Marathon Plus Evolution	\$143.00
<input type="checkbox"/>	065RT38	E2218 SHOX Performance Poly	\$97.00
<input type="checkbox"/>	065RT12	E2211 E2212 Mountain Tire <i>Only available on 24" Mountain Rear Wheel</i>	\$97.00

Tire	Wheel	Mag	Lite Spoke	Ultra Lightweight	Spinergy
Pneumatic		20,22,24	20,22,24,25, 26		24,25,26
Pneumatic w/Airless Insert		20,22,24	20,22,24,25,26		24,25,26
Full Poly Tire		20,22,24	20,22,24		24
High Pressure Clincher			22,24,25,26	22,24	24,25,26
Schwalbe Marathon			24,25,26	22,24	24,25,26
SHOX Performance Poly		24	24,25		24,25

22" = 489 mm 24" = 540 mm 25" = 559 mm 26" = 590 mm

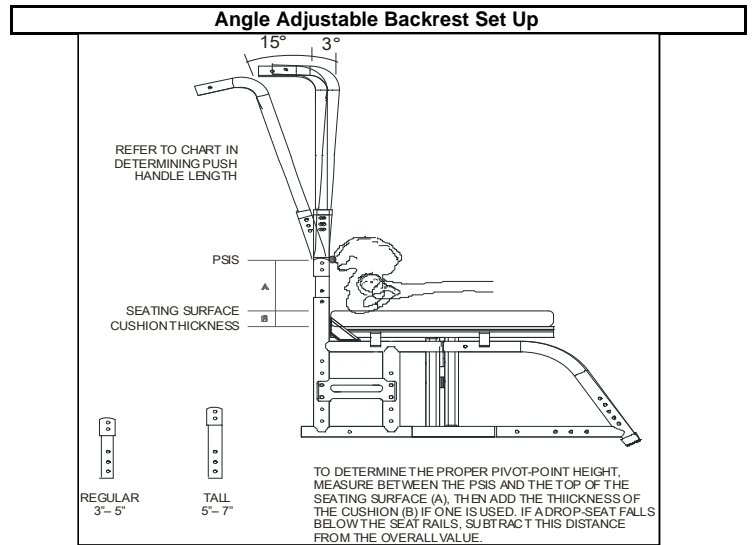
Handrim			
<i>Natural Fits available in 22", 24", and 25".</i>			
<input type="checkbox"/>	065HR1	Aluminum Anodized	NC
<input type="checkbox"/>	065HR4	Plastic Coated - <i>N/A on all rims</i>	\$112.00
<input type="checkbox"/>	065HR22	Natural Fit - Standard Grip	\$454.00
<input type="checkbox"/>	065HR23	Natural Fit - Super Grip	\$505.00
<input type="checkbox"/>	065HR7	Omit Hand Rims	NC
<input type="checkbox"/>	065HR8	8 Oblique <i>Only available w/ aluminum handrims. N/A w/ SHOX</i>	\$332.00

**6. BACKREST**

Back Type			
<i>Angle Adj std w/ push handles and N/A w/ all flip back armrests</i>			
<input type="checkbox"/>	065BU1	Standard	NC
<input type="checkbox"/>	065BT20	Angle Adj 3-5" Pivot ( <i>regular</i> )	\$189.00
<input type="checkbox"/>	065BT22	Angle Adj 5-7" Pivot ( <i>tall</i> )	\$189.00

Angle Adjustable Backrest Options					
<b>Angle Adjustable Pivot Height</b>					
<input type="checkbox"/>	065AH1	3" NC	<input type="checkbox"/>	065AH4	6" NC
<input type="checkbox"/>	065AH2	4" NC	<input type="checkbox"/>	065AH5	7" NC
<input type="checkbox"/>	065AH3	5" NC			
<b>Angle Adjustable Pre-Set Angle</b>					
<input type="checkbox"/>	065BD5	Back Angle - 15°	NC		
<input type="checkbox"/>	065BD4	Back Angle - 12°	NC		
<input type="checkbox"/>	065BD3	Back Angle - 6°	NC		
<input type="checkbox"/>	065BD2	Back Angle - 0°	NC		
<input type="checkbox"/>	065BD1	Back Angle +3°	NC		
<b>Angle Adjustable Back Tube Height (See Chart)</b>					
<input type="checkbox"/>	065B1	Low	NC		
<input type="checkbox"/>	065B5	Medium	NC		
<input type="checkbox"/>	065B9	Tall	NC		
<b>Angle Adjustable Back Height (Optional)</b>					
<input type="checkbox"/>	065UX10	12" NC	<input type="checkbox"/>	065UX20	17" NC
<input type="checkbox"/>	065UX12	13" NC	<input type="checkbox"/>	065UX22	18" NC
<input type="checkbox"/>	065UX14	14" NC	<input type="checkbox"/>	065UX24	19" NC
<input type="checkbox"/>	065UX16	15" NC	<input type="checkbox"/>	065UX26	20" NC
<input type="checkbox"/>	065UX18	16" NC	<input type="checkbox"/>	065UX28	21" NC

JAY Back (Optional)			
<input type="checkbox"/>	065JB01	J3 Back (See J3 Order Form)	Price List



Angle Adjustable Backrest Chart			
Back Tube Height	Low	Medium	Tall
Pivot regular set at 3"	12" 13" 14"	15" 16" 17"	17" 18" 19"
Pivot regular set at 4"	13" 14" 15"	16" 17" 18"	18" 19" 20"
Pivot regular set at 5"	14" 15" 16"	17" 18" 19"	19" 20" 21"
Pivot tall set at 5"	14" 15" 16"	17" 18" 19"	19" 20" 21"
Pivot tall set at 6"	15" 16" 17"	18" 19" 20"	N/A
Pivot tall set at 7"	16" 17" 18"	19" 20" 21"	N/A

*Adjustable pivot point present measurements from seat sling. If back height option is not chosen, middle option will be present.*

<b>6. BACKREST (CONT)</b>
---------------------------

Backrest Upholstery				
<input type="checkbox"/>	065BU1		Standard Upholstery	NC
<input type="checkbox"/>	065BU60		Tension Adjustable Upholstery	\$179.00
<input type="checkbox"/>	065BU14		Omit Back Upholstery	-\$15.00

Push Handles				
<input type="checkbox"/>	065BP1		Push Handles Straight	NC
<input type="checkbox"/>	065BP3		Push Handles 8" (Std)	\$36.00

Backrest Options				
<input type="checkbox"/>	065BU16		Reinforced Back <i>Only available w/ Std Upholstery</i>	\$31.00
<input type="checkbox"/>	065SZ1		Stabilizer Bar	\$107.00

Back Height				
<input type="checkbox"/>	065B92		16"-19"	NC
<input type="checkbox"/>	065B86		14"-17"	\$51.00

<b>7. ARMREST</b>
-------------------

Armrest				
<input type="checkbox"/>	065AA16	E0973	Padded Swing-Away Adult	\$230.00
<input type="checkbox"/>	065AA17	E0973	Padded Swing-Away Kids	\$230.00
<input type="checkbox"/>	065AA5		Flip-Back	NC
<input type="checkbox"/>	065AA8	E0973	Single Post Ht. Adjustable Adult	\$291.00
<input type="checkbox"/>	065AA9	E0973	Single Post Ht. Adjustable Kids	\$291.00
<input type="checkbox"/>	065AA6	E0973	Flip-Back Height Adjustable	\$321.00
<input type="checkbox"/>	065AA14		Omit Armrest	NC

Armpad				
<i>N/A w/ padded swing away armrests</i>				
<input type="checkbox"/>	065AM1		Desk Length - (10")	NC
<input type="checkbox"/>	065AM2		Full Length - (14")	NC

<b>8. KEY OPTIONS &amp; ACCESSORIES</b>
---

Anti-Tip				
<input type="checkbox"/>	065AT4	E0971	Rear Anti-Tip	\$153.00

Accessories				
<input type="checkbox"/>	065A1		Quickie Backpack Black	\$77.00
<input type="checkbox"/>	065A2		Quickie Kids Backpack Black	\$61.00
<input type="checkbox"/>	065A8		Quickie Seat Pouch Black	\$51.00
<input type="checkbox"/>	065A29	E0950	Tray Table	\$260.00
<input type="checkbox"/>	065A23	K0065	Black Spoke Guards	\$117.00
<input type="checkbox"/>	065A24	K0065	Quickie Clear Spoke Guards	\$117.00
<input type="checkbox"/>	065A54	K0038	Extra Leg Strap Black	\$41.00
<input type="checkbox"/>	065SG4	K0108	Side Guard Plastic Kids	\$148.00
<input type="checkbox"/>	065SG3	K0108	Side Guard Plastic Regular	\$148.00
<input type="checkbox"/>	065A82		Caddy	\$51.00
<input type="checkbox"/>	065A49	E2207	Crutch Holder	\$199.00
<input type="checkbox"/>	065A83		Tool Kit	\$56.00
<input type="checkbox"/>	065A500		Velcro Gel Cover for Hanger/Frame	\$107.00

Wheel Lock				
<i>Additional no gos may exist depending on wheel size, seat depth and axle position</i>				
<input type="checkbox"/>	065WL1		High Mount Push	NC
<input type="checkbox"/>	065WL2		High Mount Pull	NC
<input type="checkbox"/>	065WL30		Compact	\$143.00
<input type="checkbox"/>	065WL10		Omit	NC
<input type="checkbox"/>	065WL12		Do Not Mount	NC

Grade Aid				
<input type="checkbox"/>	065GA1	E0974	Grade Aid <i>N/A w/ poly, high-pressure clincher tires</i>	\$153.00

Military Service Patches (Optional)				
<i>Only available on tension adjustable upholstery and J3 Back</i>				
<input type="checkbox"/>	065VU1		Marines Patch	\$102.00
<input type="checkbox"/>	065VU2		Army Patch	\$102.00
<input type="checkbox"/>	065VU3		Navy Patch	\$102.00
<input type="checkbox"/>	065VU4		Air Force Patch	\$102.00
<input type="checkbox"/>	065VU12		Coast Guard Patch	\$102.00
<input type="checkbox"/>	065VU5		Purple Heart Patch	\$102.00
<input type="checkbox"/>	065VU8		Purple Heart with Marines Patch	\$158.00
<input type="checkbox"/>	065VU9		Purple Heart with Army Patch	\$158.00
<input type="checkbox"/>	065VU10		Purple Heart with Navy Patch	\$158.00
<input type="checkbox"/>	065VU11		Purple Heart with Air Force Patch	\$158.00
<input type="checkbox"/>	065VU13		Purple Heart with Coast Guard Patch	\$158.00

Extension Handle				
<input type="checkbox"/>	065EH1	E0961	6" Pair	\$77.00

JAY Cushions (Optional)				
<i>To order any JAY cushions on-chair, please see the JAY price list.</i>				
<i>Cushion name or part number must be filled out with desired width and depth</i>				
<input type="checkbox"/>	065JC20		JAY Bundled Cushion	Price List
			Cushion Name or Part #	
			Width: _____	
			Depth: _____	

Cushion Options				
<input type="checkbox"/>	065CU1	K0669	2" Cushion	\$153.00
<input type="checkbox"/>	065CU4		Omit Seat Sling	-\$15.00

Positioning Belts				
<input type="checkbox"/>	065A142	E0978	Belt 1.5" Auto Buckle	\$71.00
<input type="checkbox"/>	065A12	E0978	Belt 2" Aircraft Buckle	\$112.00
<input type="checkbox"/>	065A13	E0978	Belt 2" Aircraft Buckle Pad	\$122.00

✓	Option #	HCPCS	Definition	Price	✓	Option #	HCPCS	Definition	Price
<b>8. KEY OPTIONS &amp; ACCESSORIES (CONT)</b>									

Standard Frame Colors				
<input type="checkbox"/>	065C140		Aztec Gold	NC
<input type="checkbox"/>	065C2		Black <i>(Not avail as base w/Zebra)</i>	NC
<input type="checkbox"/>	065C141		Black Cherry	NC
<input type="checkbox"/>	065C10		Black Opal	NC
<input type="checkbox"/>	065C38		Blue Opal	NC
<input type="checkbox"/>	065C36		Candy Blue	NC
<input type="checkbox"/>	065C14		Candy Purple	NC
<input type="checkbox"/>	065C35		Candy Red	NC
<input type="checkbox"/>	065C142		Electric Blue	NC
<input type="checkbox"/>	065C143		Evergreen	NC
<input type="checkbox"/>	065C126		Glow	NC
<input type="checkbox"/>	065C144		Green Apple	NC
<input type="checkbox"/>	065C147		Hot Sparkle Pink	NC
<input type="checkbox"/>	065C148		Mauve Pink	NC
<input type="checkbox"/>	065C103		Rootbeer	NC
<input type="checkbox"/>	065C114		Sparkle Silver	NC
<input type="checkbox"/>	065C145		Sunrise Orange	NC
<input type="checkbox"/>	065C113		Titanium Color Paint	NC
<input type="checkbox"/>	065C8		Yellow	NC

Matte Frame Colors				
<input type="checkbox"/>	065C116		Matte Black	NC
<input type="checkbox"/>	065C151		Matte Black Cherry	NC
<input type="checkbox"/>	065C150		Matte Electric Blue	NC
<input type="checkbox"/>	065C149		Matte Evergreen	NC
<input type="checkbox"/>	065C152		Matte Purple	NC

Personalized Frame Color				
<input type="checkbox"/>	065C112		Desert Camouflage	\$403.00
<input type="checkbox"/>	065C43		Mossy Oak Camouflage	\$403.00
<input type="checkbox"/>	065C42		Stars & Stripes	\$403.00
<input type="checkbox"/>	065C108		Zebra <i>(Choose above base color) Std with White unless above base paint is chosen N/A w/ Black</i>	\$403.00

Built for Me			
--------------	--	--	--

To inquire about any unique personalized Quickie products, contact: Phone: (800) 333 - 4000, Fax: (800) 333 9011



Sunrise Medical (US) LLC  
2842 Business Park Ave. · Fresno, CA 93727 · USA