

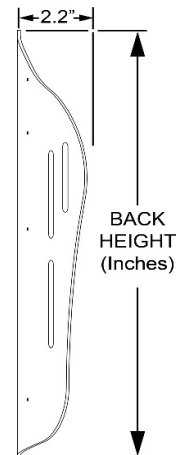


JAY® J3 Carbon Fiber
Posterior (PA) Backrest E2613
October 2015

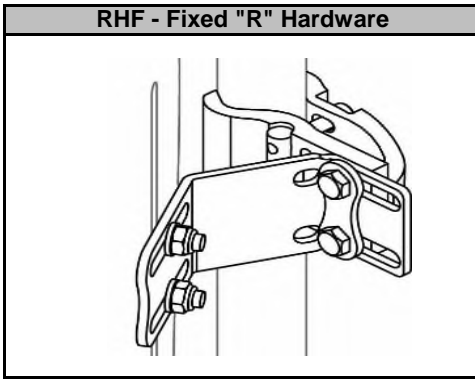
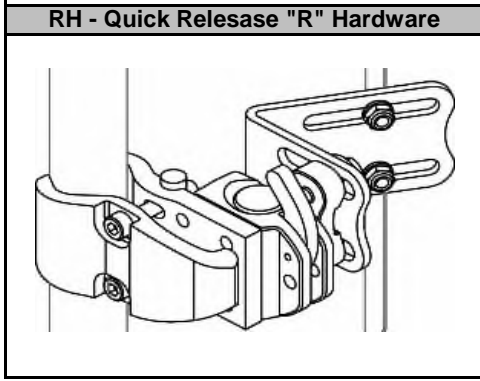
Mark For: _____ Date: _____ Dealer Acct #: _____ Dealer: _____ Dealer Contact: _____ Dealer Address: _____ Dealer City: _____ ST: _____ ZIP: _____ Dealer Phone: () _____ Fax: () _____ Confirmation Email: _____ Confirm Via: <input type="checkbox"/> Fax <input type="checkbox"/> Email	Submitting for: <input type="checkbox"/> Quote <input type="checkbox"/> Order PO#: _____ <p align="center">ADDITIONAL SHIPPING INFORMATION</p> Ship To: _____ Attention: _____ Address: _____ Address: _____ Ship To City: _____ ST: _____ ZIP: _____ Ship To Phone: () _____ Fax: () _____
<p><i>The HCPCS CODES provided are based on code verification through PDAC or our interpretation of the code definitions.</i></p> <p><i>The use of HCPCS CODES does not ensure coverage or payment. For coverage information, verify the appropriate payer's coverage policy.</i></p> <p>JAY J3 Carbon Fiber Posterior (PA) Backrest - E2613</p>	



BACKREST WIDTH	14"	16"	18"	20"
BACKCANE WIDTHS	14"- 16"	16"- 18"	18"- 20"	20"- 22"
MAX. USER TRUNK WIDTH	13"	15"	17"	19"



Back Height	Lower Thoracic (LT)											
		6.5" (S)	J3CFPALTSxxRH	<input type="checkbox"/> 14	\$895	<input type="checkbox"/> 16	\$895	<input type="checkbox"/> 18	\$895			
			J3CFPALTSxxRHF	<input type="checkbox"/> 14	\$895	<input type="checkbox"/> 16	\$895	<input type="checkbox"/> 18	\$895			
		8.0" (M)										
		9.5" (T)	J3CFPALTTxxRH	<input type="checkbox"/> 14	\$895	<input type="checkbox"/> 16	\$895	<input type="checkbox"/> 18	\$895	<input type="checkbox"/> 20	\$895	
		J3CFPALTTxxRHF	<input type="checkbox"/> 14	\$895	<input type="checkbox"/> 16	\$895	<input type="checkbox"/> 18	\$895	<input type="checkbox"/> 20	\$895		
	Mid Thoracic (MT)											
		12.0" (S)	J3CFPAMTSxxRH	<input type="checkbox"/> 14	\$895	<input type="checkbox"/> 16	\$895	<input type="checkbox"/> 18	\$895	<input type="checkbox"/> 20	\$895	
			J3CFPAMTSxxRHF	<input type="checkbox"/> 14	\$895	<input type="checkbox"/> 16	\$895	<input type="checkbox"/> 18	\$895	<input type="checkbox"/> 20	\$895	
		13.5" (M)										
15.0" (T)		J3CFPAMTTxxRH	<input type="checkbox"/> 14	\$895	<input type="checkbox"/> 16	\$895	<input type="checkbox"/> 18	\$895	<input type="checkbox"/> 20	\$895		
	J3CFPAMTTxxRHF	<input type="checkbox"/> 14	\$895	<input type="checkbox"/> 16	\$895	<input type="checkbox"/> 18	\$895	<input type="checkbox"/> 20	\$895			



JAY YOUR WAY MODIFICATIONS

Note: To order sizes offered via JAY Your Way add a "M" to the front of the part number and follow the prompts.
For additional modifications visit www.sunrisemedical.com to view even more!

MILITARY SERVICE PATCHES			
<input type="checkbox"/>	VAPH	Purple Heart Service Patch	NC
<input type="checkbox"/>	VAM	Marine Service Patch	NC
<input type="checkbox"/>	VAA	Army Service Patch	NC
<input type="checkbox"/>	VAAF	Air Force Service Patch	NC
<input type="checkbox"/>	VAN	Navy Service Patch	NC
<input type="checkbox"/>	VACG	Coast Guard Service Patch	NC
COVER COLOR OPTIONS - Rear Center Flap			
<input type="checkbox"/>	DCC	Digital Camouflage Cover	NC

SPINAL FLUID PAD			
<input type="checkbox"/>	SFP	Spinal Fluid Pad	\$50.00
VISCO FOAM INSERT			
<input type="checkbox"/>	VF	Visco Foam Insert	\$50.00
<input type="checkbox"/>	VFWSR	Visco Foam Insert with Spinal Relief	\$50.00

Don't see the option you want? NO PROBLEM! Write your request below and we can evaluate it and provide a quote.

Notes: