



# Zippie IRIS SE

## January 2021

EIZ5A

|  |   |
|--|---|
| Date: _____<br>Dealer Acct #: _____<br>Dealer: _____<br>Dealer Contact: _____<br>Dealer Address: _____<br>Dealer City: _____ ST: _____ ZIP: _____<br>Dealer Phone: (____) _____ Fax: (____) _____<br><br>Confirm Via: <input type="checkbox"/> Fax <input type="checkbox"/> Email<br>Mark For: _____ | <b>SUBMITTING FOR:</b> <input type="checkbox"/> Quote <input type="checkbox"/> Order<br><br>PO#: _____<br>Ship To: _____<br>Attention: _____<br>Address: _____<br>Address: _____<br>Ship To City: _____ ST: _____ ZIP: _____<br>Ship To Phone: (____) _____ Fax: (____) _____ |
|--|---|

The HCPCS CODES herein are based on PDAC verification or interpretation of Medicare definitions and guidelines. Non-Medicare payers may accept alternative HCPCS CODES, including misc. codes to ensure access for their enrollees. The use of HCPCS CODES does not ensure coverage or payment.

| ✓ | Option # | HCPCS | Definition | Price | ✓ | Option # | HCPCS | Definition | Price |
|---|----------|-------|------------|-------|---|----------|-------|------------|-------|
|---|----------|-------|------------|-------|---|----------|-------|------------|-------|

### 1. FRAME

| Base Model  |         |       |   |         |
|---|---------|-------|---|---------|
| <i>Maximum user weight is 225 lbs.</i>                            |         |       |   |         |
| <i>Maximum weight capacity for Z-Finity footrests is 165 lbs.</i> |         |       |   |         |
| <input type="checkbox"/>  | 188WM69 | E1233 | Zippie IRIS SE Transit Optional<br><i>True Fit Growth not included</i>  | \$2,704 |
| <input type="checkbox"/>  | 188WM92 | E1234 | Zippie IRIS SE Folding Transit Optional<br><i>True Fit Growth not included</i><br><i>N/A with Mono Back or Rocker Cover</i> | \$2,807 |

Note: HCPCS Codes shown as submitted. Some sizes fit other HCPCS codes i.e. 15-18" widths = E1161

| Frame Struts (Rigid Frames Only) |         |  |  |      |
|----------------------------------|---------|--|--|------|
| <input type="checkbox"/>         | 188GY01 |  | Fixed Struts<br><i>Growth thru kits</i><br><i>N/A w/ Folding Frame</i>                       | STD  |
| <input type="checkbox"/>         | 188GY02 |  | Width Adjusting System<br><i>Built in growth of 2"</i><br><i>N/A w/ Mono Back or Folding</i> | \$46 |

| Frame Options            |         |  |  |       |
|--------------------------|---------|--|--|-------|
| <input type="checkbox"/> | 188FT46 |  | Contracture Seat Frame<br><i>N/A w/10" Frame Depth or Folding Frame</i>                    | NC    |
| <input type="checkbox"/> | 188FS29 |  | Battery Tray<br><i>N/A w/ 10" &amp; 11" frame widths, foot wheel lock or Folding Frame</i> | \$510 |

| Transit (For use when Transit Optional frame is selected) |         |       |  |       |
|---|---------|-------|--|-------|
| <input type="checkbox"/>                                  | 188TO45 | K0108 | Transit Optional   | \$255 |
| Tilt Release Options                                      |         |       |  |       |
| <input type="checkbox"/>                                  | 188TT8  |       | Foot Release<br><i>N/A with Vent and Battery Tray.</i><br><i>May limit folded width, folding frame defaults to right side</i><br><input type="checkbox"/> Left <input type="checkbox"/> Right (facing from rear) | NC    |
| <input type="checkbox"/>                                  | 188TT12 |       | Dual Trigger Cable Release   | NC    |

| Pre-Set Tilt Angle (55° range) (Default in Bold, N/A w/ reclining back) |               |  |  |            |
|---|---------------|--|--|------------|
| <input type="checkbox"/>  | 188TA5        |  | -5° to 50°<br><i>N/A with 12.5" STFH</i> | NC         |
| <input type="checkbox"/>  | <b>188TA6</b> |  | <b>0° to 55°</b>                         | <b>STD</b> |
| <input type="checkbox"/>  | 188TA7        |  | +5° to 60°                               | NC         |

| Pre-Set Tilt Angle (40° range) (Default in Bold) |               |  |  |            |
|--|---------------|--|--|------------|
| <input type="checkbox"/>                         | 188TA8        |  | -5° to 35°<br><i>N/A with 12.5" STFH</i> | NC         |
| <input type="checkbox"/>                         | <b>188TA9</b> |  | <b>0° to 40°</b>                         | <b>STD</b> |
| <input type="checkbox"/>                         | 188TA10       |  | +5° to 45°                               | NC         |

### 2. SIZE / SEATING

| Frame Width (Personalized set-up on 17" & 18" folding frame thru B4Me) |       |  |                                  |     |
|--|-------|--|----------------------------------|-----|
| <input type="checkbox"/>   | 188W1 |  | 10" - N/A w/ Mono Backrest       | NC  |
| <input type="checkbox"/>   | 188W2 |  | 11" - N/A w/ Mono Backrest       | NC  |
| <input type="checkbox"/>   | 188W3 |  | 12"                              | NC  |
| <input type="checkbox"/>   | 188W4 |  | 13"                              | NC  |
| <input type="checkbox"/>   | 188W5 |  | 14"                              | STD |
| <input type="checkbox"/>   | 188W6 |  | 15"                              | NC  |
| <input type="checkbox"/>   | 188W7 |  | 16" - Folding Frame Grows to 18" | NC  |
| <input type="checkbox"/>   | 188W8 |  | 17" - Folding Frame Grows to 18" | NC  |
| <input type="checkbox"/>   | 188W9 |  | 18" - No Growth w/ Folding Frame | NC  |

| Seats                    |         |       |  |       |
|--------------------------|---------|-------|--|-------|
| <input type="checkbox"/> | 188ST35 | E2231 | Seat Pan-Growable<br><i>Some limits may exist. See Page 9 for matrix of offering</i> | \$204 |
| <input type="checkbox"/> | 188ST36 | E2231 | Drop Seat Pan  | \$204 |
| <input type="checkbox"/> | 188ST54 |       | Omit Seat Pan  | STD   |

| Made to Order Seating  |         |  |                        |  |
|--|---------|--|------------------------|--|
| <i>For best seating to wheelchair integration, utilize universal hardware.</i> |         |  |                        |  |
| <input type="checkbox"/>   | 188QC01 |  | JAY SureFit            |  |
| <input type="checkbox"/>   | 188QC02 |  | JAY AES / ConfigureFit |  |
| <input type="checkbox"/>   | 188QC03 |  | JAY Fit                |  |

| JAY Cushions (Optional)  |         |                            |        |            |
|--|---------|----------------------------|--------|------------|
| <i>To order any JAY cushions on-chair, please see the JAY price list. Cushion name or part number must be filled out with desired width and depth.</i> |         |                            |        |            |
| <input type="checkbox"/>   | 188JC20 | <b>JAY Bundled Cushion</b> |        | Price List |
|  |         | Name / Part #              |        |            |
|  |         | Width:                     | Depth: |            |

**2. SIZE / SEATING CONT.**

**Frame Depth**

(Choose Selections from A OR B)

**Selection A: Frame Depth Set up By Zippie**

**Desired Seat Depth**

10"     11"     12"     13"     14"  
 15"     16"     17"     18"

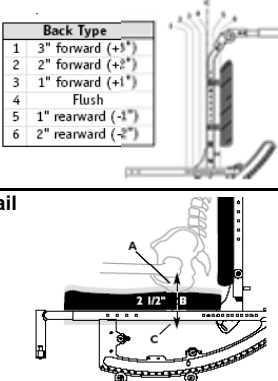
**Back Type**

3"     2"     1"  
 Flush     -1"     -2"

This section determines frame length

**Top of Cushion to Seat Rail**

2 1/2" or Greater (A)  
 Less than 2 1/2" - STD (B)  
 Below Seat Rail (C)



**Selection B: Frame Depth Range**

|                                  |                           |    |
|----------------------------------|---------------------------|----|
| <input type="checkbox"/> 188SN01 | Short Seat Frame 10"-14"  | NC |
| <input type="checkbox"/> 188SN02 | Medium Seat Frame 12"-16" | NC |
| <input type="checkbox"/> 188SN03 | Long Seat Frame 14"-18"   | NC |

**Selection B: Frame Depth**

|                                 |  |    |
|---------------------------------|--|----|
| <input type="checkbox"/> 188FD1 | 10" rec. w/ Short Seat Frame<br>N/A with Contracture Footrest System | NC |
| <input type="checkbox"/> 188FD2 | 11" rec. w/ Short Seat Frame   | NC |
| <input type="checkbox"/> 188FD3 | 12" rec. w/ Short Seat Frame   | NC |
| <input type="checkbox"/> 188FD4 | 13" rec. w/ Med. Seat Frame  | NC |
| <input type="checkbox"/> 188FD5 | 14" rec. w/ Med. Seat Frame  | NC |
| <input type="checkbox"/> 188FD6 | 15" rec. w/ Med. Seat Frame  | NC |
| <input type="checkbox"/> 188FD7 | 16" rec. w/ Long Seat Frame  | NC |
| <input type="checkbox"/> 188FD8 | 17" rec. w/ Long Seat Frame  | NC |
| <input type="checkbox"/> 188FD9 | 18" rec. w/ Long Seat Frame  | NC |

Select from A OR B

**3. CASTERS / SEAT HEIGHT**

| Caster Wheel             |         |  |       |
|--------------------------|---------|--|-------|
| <input type="checkbox"/> | 188CW31 | 4" Micro Light Up - N/A with Folding           | \$71  |
| <input type="checkbox"/> | 188CW73 | 4" x 1.25" Semi-Pneumatic -N/A w/ Folding      | NC    |
| <input type="checkbox"/> | 188CW51 | 5" Micro Light Up                              | \$87  |
| <input type="checkbox"/> | 188CW5  | 5" Low-Profile Polyurethane                    | STD   |
| <input type="checkbox"/> | 188CW7  | E2219 5" x 1.5" Semi-Pneumatic                 | \$87  |
| <input type="checkbox"/> | 188CW33 | E2214 E2215 6" Pneumatic                       | \$77  |
| <input type="checkbox"/> | 188CW34 | 6" Polyurethane                                | NC    |
| <input type="checkbox"/> | 188CW35 | E2219 6" x 1.5" Semi-Pneumatic                 | \$87  |
| <input type="checkbox"/> | 188CW21 | E2214 E2215 8" Pneumatic                       | \$87  |
| <input type="checkbox"/> | 188CW32 | 8" Polyurethane                                | NC    |
| <input type="checkbox"/> | 188CW39 | E2219 8" x 1.5" Semi-Pneumatic                 | \$87  |
| <input type="checkbox"/> | 188CW36 | E2214 E2215 8" x 2" Pneumatic                  | \$148 |
| <input type="checkbox"/> | 188CW37 | E2214 K0108 8" x 2" Pneumatic w/Airless Insert | \$230 |

Please call customer service for 13.25" on a 12" RW and 4" Caster (Rigid only)

| Rear Wheel Size                       | CASTER SIZE                    |                                |                                |                                |                                  |                                |
|---------------------------------------|--------------------------------|--------------------------------|--------------------------------|--------------------------------|----------------------------------|--------------------------------|
|                                       | <input type="checkbox"/> 4"    | <input type="checkbox"/> 5"    | <input type="checkbox"/> 6"    | <input type="checkbox"/> 8"x1" | <input type="checkbox"/> 8"x1.5" | <input type="checkbox"/> 8"x2" |
| <input type="checkbox"/> 12"          | <input type="checkbox"/> 13.0" | <input type="checkbox"/> 16.0" | <input type="checkbox"/> 16.0" | N/A                            | N/A                              | N/A                            |
|                                       | N/A                            | <input type="checkbox"/> 16.5" | <input type="checkbox"/> 16.5" | N/A                            | <input type="checkbox"/> 16.5"   | N/A                            |
|                                       |                                | <input type="checkbox"/> 17.0" | <input type="checkbox"/> 17.0" |                                | <input type="checkbox"/> 17.0"   |                                |
| <input type="checkbox"/> 12" Low Poly | N/A                            | <input type="checkbox"/> 15.0" | <input type="checkbox"/> 15.0" | N/A                            | N/A                              | N/A                            |
|                                       |                                | <input type="checkbox"/> 15.5" | <input type="checkbox"/> 15.5" |                                |                                  |                                |
|                                       |                                | <input type="checkbox"/> 16.0" | <input type="checkbox"/> 16.0" |                                |                                  |                                |
| <input type="checkbox"/> 16"          | N/A                            | <input type="checkbox"/> 16.5" | N/A                            | <input type="checkbox"/> 16.5" | <input type="checkbox"/> 16.5"   | <input type="checkbox"/> 16.5" |
|                                       |                                | <input type="checkbox"/> 13.5" | N/A                            | N/A                            | N/A                              | N/A                            |
|                                       |                                | <input type="checkbox"/> 14.0" | <input type="checkbox"/> 14.5" |                                |                                  |                                |
|                                       |                                | <input type="checkbox"/> 14.5" | <input type="checkbox"/> 17.0" | <input type="checkbox"/> 17.5" | <input type="checkbox"/> 17.5"   | N/A                            |
|                                       |                                | <input type="checkbox"/> 17.5" | <input type="checkbox"/> 17.5" | <input type="checkbox"/> 18.0" | <input type="checkbox"/> 18.0"   |                                |
| <input type="checkbox"/> 18.0"        | <input type="checkbox"/> 18.0" | <input type="checkbox"/> 18.5" | <input type="checkbox"/> 18.5" |                                |                                  |                                |
| <input type="checkbox"/> 20"          | N/A                            | <input type="checkbox"/> 15.5" | <input type="checkbox"/> 16.0" | N/A                            | N/A                              | N/A                            |
|                                       |                                | <input type="checkbox"/> 16.0" | <input type="checkbox"/> 16.5" | <input type="checkbox"/> 16.5" | <input type="checkbox"/> 16.5"   | <input type="checkbox"/> 16.5" |
|                                       |                                | <input type="checkbox"/> 16.5" | <input type="checkbox"/> 17.0" | <input type="checkbox"/> 17.0" | <input type="checkbox"/> 17.0"   | <input type="checkbox"/> 17.0" |
| <input type="checkbox"/> 22"          | N/A                            | <input type="checkbox"/> 17.0" | <input type="checkbox"/> 16.5" | N/A                            | <input type="checkbox"/> 16.5"   | N/A                            |
|                                       |                                | <input type="checkbox"/> 17.5" | <input type="checkbox"/> 17.0" | <input type="checkbox"/> 17.0" | <input type="checkbox"/> 17.0"   | <input type="checkbox"/> 17.0" |
|                                       |                                | <input type="checkbox"/> 18.0" | <input type="checkbox"/> 17.5" | <input type="checkbox"/> 17.5" | <input type="checkbox"/> 17.5"   | N/A                            |
|                                       |                                | N/A                            | <input type="checkbox"/> 18.0" | <input type="checkbox"/> 18.0" | <input type="checkbox"/> 18.0"   | <input type="checkbox"/> 18.0" |
| <input type="checkbox"/> 24"          | N/A                            | N/A                            | <input type="checkbox"/> 17.0" | N/A                            | <input type="checkbox"/> 17.5"   | N/A                            |
|                                       |                                | <input type="checkbox"/> 17.5" | <input type="checkbox"/> 17.5" | <input type="checkbox"/> 18.0" | <input type="checkbox"/> 18.0"   | <input type="checkbox"/> 18.0" |
|                                       |                                | <input type="checkbox"/> 18.0" | <input type="checkbox"/> 18.0" | <input type="checkbox"/> 18.5" | <input type="checkbox"/> 18.5"   | N/A                            |
|                                       |                                | <input type="checkbox"/> 18.5" | <input type="checkbox"/> 18.5" | <input type="checkbox"/> 19.0" | <input type="checkbox"/> 19.0"   | <input type="checkbox"/> 19.0" |

N/A with Folding

#### 4. REAR WHEELS / SEAT HEIGHT

##### One Arm Drive

*Only available with 6 spoke Mag wheels. One Arm Drive N/A with folding frame*

|                          |         |       |   |       |
|--------------------------|---------|-------|---|-------|
| <input type="checkbox"/> | 188AL17 | E0958 | One Arm Drive<br><i>Avail. w/ 20", 22", 24" Mag Rear Wheels</i> | \$918 |
| <input type="checkbox"/> | 188OA2  |       | <b>Standard Handrim</b>   | NC    |
| <input type="checkbox"/> | 188HM1  |       | <i>Right</i>  | NC    |
| <input type="checkbox"/> | 188HM2  |       | <i>Left</i>   | NC    |
| <input type="checkbox"/> | 188OA1  |       | <b>Small Handrim</b>  | NC    |
| <input type="checkbox"/> | 188HM1  |       | <i>Right</i>  | NC    |
| <input type="checkbox"/> | 188HM2  |       | <i>Left</i>   | NC    |

##### Axle

|                          |         |  |   |       |
|--------------------------|---------|--|---|-------|
| <input type="checkbox"/> | 188AX26 |  | One Arm Drive Axle<br><i>Only avail. w/One Arm Drive Option</i> | STD   |
| <input type="checkbox"/> | 188AX1  |  | <i>Quick Release</i>  | NC    |
| <input type="checkbox"/> | 188AX11 |  | Quad Quick Release<br><i>N/A with Lite Spokes</i>               | \$128 |

##### Rear Wheel Size

*12"-16" N/A w/handrims. 12" w/attendant wheel lock N/A w/ +5 - 60° tilt angle.*

|                          |          |  |                                    |       |
|--------------------------|----------|--|------------------------------------|-------|
| <input type="checkbox"/> | 188RW13  |  | 12" Mag - <i>N/A with handrims</i> | STD   |
| <input type="checkbox"/> | 188RW14  |  | 16" Mag - <i>N/A with handrims</i> | NC    |
| <input type="checkbox"/> | 188RW3   |  | 20" Mag                            | NC    |
| <input type="checkbox"/> | 188RW8   |  | 22" Mag                            | NC    |
| <input type="checkbox"/> | 188RW1   |  | 24" Mag                            | NC    |
| <input type="checkbox"/> | 188RW90  |  | 20" Lite Spoke                     | \$204 |
| <input type="checkbox"/> | 188RW91  |  | 22" Lite Spoke                     | \$204 |
| <input type="checkbox"/> | 188RW54  |  | 24" Lite Spoke                     | \$204 |
| <input type="checkbox"/> | 188RW103 |  | 20" Mag Wheel 5 Spoke              | NC    |
| <input type="checkbox"/> | 188RW104 |  | 22" Mag Wheel 5 Spoke              | NC    |
| <input type="checkbox"/> | 188RW102 |  | 24" Mag Wheel 5 Spoke              | NC    |

##### Rear Wheel Tire

|                          |        |                |  |      |
|--------------------------|--------|----------------|--|------|
| <input type="checkbox"/> | 188RT1 | E2211<br>E2212 | Pneumatic  | \$87 |
| <input type="checkbox"/> | 188RT2 | E2211<br>E2213 | Pneumatic Airless Insert                                     | \$87 |
| <input type="checkbox"/> | 188RT3 |                | Full Polyurethane<br><i>N/A w/ 12" &amp; 16" rear wheels</i> | NC   |
| <input type="checkbox"/> | 188RT4 |                | Low Polyurethane<br><i>Only Available with 12" wheels</i>    | NC   |

##### Rear Tire & Wheel Matrix

| Tire                        | Rear Wheel  |       |                     |
|-----------------------------|-------------|-------|---------------------|
|                             | 5 Spoke Mag | Spoke | Mag Wheel           |
| Pneumatic                   | 20",22",24" | 24"   | 12",16",20",22",24" |
| Pneumatic w/ Airless Insert | 20",22",24" | 24"   | 12",16",20",22",24" |
| Full Poly                   | 20",22",24" | 24"   | 20",22",24"         |
| Low Poly                    | N/A         | N/A   | 12"                 |

12" = 203mm 16" = 317mm 20" = 451mm 22" = 501mm 24" = 540mm

##### Handrim

*12" and 16" wheels not available with hand rims. See matrix for availability*

|                          |        |  |   |       |
|--------------------------|--------|--|---|-------|
| <input type="checkbox"/> | 188HR1 |  | Aluminum Anodized                         | NC    |
| <input type="checkbox"/> | 188HR4 |  | Plastic Coated                            | \$112 |
| <input type="checkbox"/> | 188HR7 |  | Omit<br><i>N/A with wheel/axle credit</i> | NC    |

##### Projections (Not Available on Plastic Coated)

*Only available with 24" Mag wheels & not available with spoke guards.*

|                          |        |  |           |       |
|--------------------------|--------|--|-----------|-------|
| <input type="checkbox"/> | 188HR8 |  | 8 Oblique | \$332 |
|--------------------------|--------|--|-----------|-------|

##### Rear Wheel & Handrim Matrix

| Handrim              | Rear Wheel  |       |             |
|----------------------|-------------|-------|-------------|
|                      | 5 Spoke Mag | Spoke | Mag Wheel   |
| Aluminum Anodized    | 20",22",24" | 24"   | 20",22",24" |
| Plastic Coat         | 20",22",24" | 24"   | 20",22",24" |
| Projection 8 Oblique | N/A         | N/A   | 24"         |

#### 5. WHEEL LOCKS / HUB LOCK

##### Wheel Lock

*Not available with Hub Lock*

|                          |         |  |   |    |
|--------------------------|---------|--|---|----|
| <input type="checkbox"/> | 188WL34 |  | High Mount Push   | NC |
| <input type="checkbox"/> | 188WL36 |  | Foot Lock<br><i>N/A w/ One Arm Drive, Folding frame defaults to left side, may limit folded width</i> | NC |
| <input type="checkbox"/> | 188WL10 |  | Omit  | NC |

##### Extension Handle

|                          |        |       |         |      |
|--------------------------|--------|-------|---------|------|
| <input type="checkbox"/> | 188EH1 | E0961 | 6" Pair | \$77 |
|--------------------------|--------|-------|---------|------|

##### Hub Lock

*Only available with 12" or 16" wheels. N/A with one arm drive.*

|                          |         |  |              |       |
|--------------------------|---------|--|--------------|-------|
| <input type="checkbox"/> | 188LK01 |  | 12" Hub Lock | \$102 |
| <input type="checkbox"/> | 188LK02 |  | 16" Hub Lock | \$102 |

**6. FOOTRESTS** (See Appendix on Page 9 for matrix of Leg Length ranges)

**Hanger Mounted Footrest (Footplates Mount to Hanger Tubing)**

| <b>Hanger Type</b> (See Matrix on Page 9 for Lower Leg Length ranges) |         |  |       |
|---|---------|--|-------|
| <input type="checkbox"/>  | 188H140 | 70° Swing In/Out Front Mount           | NC    |
| <input type="checkbox"/>  | 188H142 | 80° Swing In/Out Front Mount           | NC    |
| <input type="checkbox"/>  | 188H158 | 90° Swing In/Out Front Mount           | NC    |
| <input type="checkbox"/>  | 188H9   | 70° Heavy Duty Front Mount Lift-Off    | NC    |
| <input type="checkbox"/>  | 188H10  | 80° Heavy Duty Front Mount Lift-Off    | NC    |
| <input type="checkbox"/>  | 188H11  | 90° Heavy Duty Front Mount Lift-Off    | NC    |
| <input type="checkbox"/>  | 188H161 | E0990 Elev.Fnt Mount - N/A 10-11" wide | \$321 |

| <b>Extensions</b> (may interfere with some seat heights & casters) |        |                  |      |
|--|--------|------------------|------|
| <input type="checkbox"/>   | 188E23 | 2" - not mounted | \$56 |
| <input type="checkbox"/>   | 188E24 | 4" - not mounted | \$56 |

**Footplate**

|                          |        |   |       |
|--------------------------|--------|---|-------|
| <input type="checkbox"/> | 188F9  | K0040 Kids Angle Adjustable<br>N/A with 17"-18" widths  | \$189 |
| <input type="checkbox"/> | 188F8  | K0040 Adult Angle Adj.<br>Available with 10"-18" widths | \$189 |
| <input type="checkbox"/> | 188F62 | K0040 Footboard<br>Available with 10"-16" widths        | \$194 |

**Ext. Tube Mounted Footrests (Footplates Mount to Ext. Tube)**

| <b>Hanger Type</b> (See Matrix on Page 9 for Lower Leg Length ranges) |         |  |       |
|---|---------|--|-------|
| <input type="checkbox"/>  | 188H145 | 60° Swing In/Out   | NC    |
| <input type="checkbox"/>  | 188H139 | 70° Swing In/Out   | STD   |
| <input type="checkbox"/>  | 188H141 | 80° Swing In/Out - N/A with 8" Casters                       | STD   |
| <input type="checkbox"/>  | 188H159 | K0053 Articulating - N/A 10"-13" widths                      | \$377 |
| <input type="checkbox"/>  | 188H160 | E0990 Elevating<br>N/A w/ platform footplates or < 14" width | \$321 |

| <b>Extensions</b> (See Matrix on Page 9 for Lower Leg Length ranges) |        |            |      |
|--|--------|------------|------|
| <input type="checkbox"/>   | 188E1  | Short      | NC   |
| <input type="checkbox"/>   | 188E2  | Medium     | NC   |
| <input type="checkbox"/>   | 188E5  | Long       | NC   |
| <input type="checkbox"/>   | 188E16 | High Mount | \$77 |

**Footplate**

|                          |        |   |       |
|--------------------------|--------|---|-------|
| <input type="checkbox"/> | 188F1  | Composite<br>N/A In 10", 11" or 12" width   | STD   |
| <input type="checkbox"/> | 188F3  | K0040 Adult Angle Adjustable<br>Available with 10"-18" widths   | \$189 |
| <input type="checkbox"/> | 188F4  | K0040 Kids Angle Adjustable<br>N/A with 17"-18" widths  | \$189 |
| <input type="checkbox"/> | 188F5  | Aluminum<br>Available with elevating 14"-18" wide   | NC    |
| <input type="checkbox"/> | 188F48 | K0040 Platform Flip-Up - Ang Adj<br>Available on 60° 70° and 80° ext. mount hangers only. N/A w/Folding Frame | \$194 |

**Hanger Mounts**

1" Offset N/A with -5-50° and -5-35° preset tilt angle and possible interference with 80° & 90° hangers

|                          |         |                        |      |
|--------------------------|---------|------------------------|------|
| <input type="checkbox"/> | 188MZ02 | Standard Hanger Mount  | STD  |
| <input type="checkbox"/> | 188MZ01 | 1" Offset Hanger Mount | \$31 |

**NEW!** **Articulating / Elevating Hanger Cover**

|                          |         |                |       |
|--------------------------|---------|----------------|-------|
| <input type="checkbox"/> | 188DI47 | Neoprene Cover | \$347 |
| <input type="checkbox"/> | 188DI48 | Gel Pad Cover  | \$408 |

**Footrest Hanger Options**

|                          |         |       |   |       |
|--------------------------|---------|-------|---|-------|
| <input type="checkbox"/> | 188IG2  |       | Neoprene Covers<br>Only available for ext. mount hangers                            | \$92  |
| <input type="checkbox"/> | 188HL1  | E0951 | Heel Loops<br>N/A with Z-Finity 10-14 widths  | \$41  |
| <input type="checkbox"/> | 188HL5  | K0038 | Leg Strap   | \$41  |
| <input type="checkbox"/> | 188A54  |       | Extra Single Leg Strap  | \$31  |
| <input type="checkbox"/> | 188A110 | E0952 | Toe Loop<br>Only avail. w/ adult ang adj. footplates,<br>N/A with Z-Finity footrest | \$41  |
| <input type="checkbox"/> | 188H32  |       | Omit Hanger   | -\$15 |
| <input type="checkbox"/> | 188F7   |       | Omit Footplate and Ext. Tube  | -\$15 |

**Z-Finity Hangers/Footrest System**

Maximum weight capacity for Z-Finity footrests is 165 lbs.  
Some interference may exist in certain configurations.

|                          |         |                 |     |
|--------------------------|---------|-----------------|-----|
| <input type="checkbox"/> | 188H162 | Z-Finity Hanger | STD |
|--------------------------|---------|-----------------|-----|

**Z-Finity Footrest Mount** (Must Chose see Illustration on Page 9)

|                          |         |                                     |    |
|--------------------------|---------|-------------------------------------|----|
| <input type="checkbox"/> | 188DI22 | Direct Hanger Mt/Fixed Frame - High | NC |
| <input type="checkbox"/> | 188DI23 | Direct Hanger Mt/Fixed Frame - Low  | NC |
| <input type="checkbox"/> | 188DI24 | Extension Tube Mount                | NC |

**Z-Finity Footrest Pivot Arm** (Must Choose, use matrix on Page 9 for leg length)

|                          |         |             |    |
|--------------------------|---------|-------------|----|
| <input type="checkbox"/> | 188DI20 | Short 2"    | NC |
| <input type="checkbox"/> | 188DI21 | Long 3 1/4" | NC |

**Z-Finity Footplate**

Some interference may exist in certain configurations.

|                          |         |  |       |
|--------------------------|---------|--|-------|
| <input type="checkbox"/> | 188F320 | K0040 Multi Angle Adjustable - Pair<br>N/A with 8"-9" widths | \$189 |
| <input type="checkbox"/> | 188F321 | K0040 Angle Adjustable Platform Footboard                    | \$153 |
| <input type="checkbox"/> | 188F6   | Omit Footplate   | NC    |

**Z-Finity Extension Tube Length** (When Choosing Ext. Tube Mount)

|                          |        |            |    |
|--------------------------|--------|------------|----|
| <input type="checkbox"/> | 188E62 | Hemi Short | NC |
| <input type="checkbox"/> | 188E1  | Short      | NC |
| <input type="checkbox"/> | 188E2  | Medium     | NC |
| <input type="checkbox"/> | 188E5  | Long       | NC |

**JAY FOOT BOXES**

Only available with Swing Away, Lift-off Hangers, Adult Angle Adj Footplates and ALR/ELR. Single Foot Box pairs N/A with 10"-15" frame widths. Full Foot boxes N/A with Heel Loop or Leg Strap or in odd number sizes, Tall Height N/A w/ 14"-15" frame widths and ALR/ELR. N/A with Z-Finity.

**Single Foot Box**

|                          |         |  |       |
|--------------------------|---------|--|-------|
| <input type="checkbox"/> | 188JX01 | E0954 Foot Box Standard Height - Left  | \$230 |
| <input type="checkbox"/> | 188JX02 | E0954 Foot Box Tall Height - Left      | \$230 |
| <input type="checkbox"/> | 188JX03 | E0954 Foot Box Standard Height - Right | \$230 |
| <input type="checkbox"/> | 188JX04 | E0954 Foot Box Tall Height - Right     | \$230 |
| <input type="checkbox"/> | 188JX05 | E0954 Foot Box Standard Height - Pair  | \$460 |
| <input type="checkbox"/> | 188JX06 | E0954 Foot Box Tall Height - Pair      | \$460 |

**OR Full Foot Box**

|                          |         |  |       |
|--------------------------|---------|--|-------|
| <input type="checkbox"/> | 188JX07 | E0954 Full Foot box Std Height         | \$357 |
| <input type="checkbox"/> | 188JX08 | E0954 Full Foot box Tall Height        | \$357 |
| <input type="checkbox"/> | 188JX09 | E0954 Full Foot box w/ Divider Std Ht  | \$408 |
| <input type="checkbox"/> | 188JX10 | E0954 Full Foot box w/ Divider Tall Ht | \$408 |

**6. FOOTRESTS CONT. (See Appendix for matrix)**

**Contracture Footrest System (CFS)**

*N/A w/ Neoprene Impact Guards, Kids Angle Adj. Aluminum Footrests, Dual Post Armrest or Folding Frame.*

|                          |              |                             |           |
|--------------------------|--------------|-----------------------------|-----------|
| <input type="checkbox"/> | 188H26       | Contracture Footrest System | \$357     |
| <input type="checkbox"/> | 188FP01      | CFS - Center Mount          | NC        |
| <input type="checkbox"/> | 188FP02      | CFS - Outside Mount         | NC        |
| <input type="checkbox"/> | <b>188E1</b> | <b>SHORT</b>                | <b>NC</b> |
| <input type="checkbox"/> | 188EP1       | 10.5" Extension Height      | NC        |
| <input type="checkbox"/> | 188EP2       | 11.0" Extension Height      | NC        |
| <input type="checkbox"/> | 188EP3       | 11.5" Extension Height      | NC        |
| <input type="checkbox"/> | 188EP4       | 12.0" Extension Height      | NC        |
| <input type="checkbox"/> | 188EP5       | 12.5" Extension Height      | NC        |
| <input type="checkbox"/> | 188EP6       | 13.0" Extension Height      | NC        |

|                          |              |                        |           |
|--------------------------|--------------|------------------------|-----------|
| <input type="checkbox"/> | <b>188E2</b> | <b>REGULAR</b>         | <b>NC</b> |
| <input type="checkbox"/> | 188EP5       | 12.5" Extension Height | NC        |
| <input type="checkbox"/> | 188EP6       | 13.0" Extension Height | NC        |
| <input type="checkbox"/> | 188EP7       | 13.5" Extension Height | NC        |
| <input type="checkbox"/> | 188EP8       | 14.0" Extension Height | NC        |
| <input type="checkbox"/> | 188EP9       | 14.5" Extension Height | NC        |
| <input type="checkbox"/> | 188EP10      | 15.0" Extension Height | NC        |

**7. BACKREST / SEATING**

**DYNAMIC BACKREST**

|                          |          |       |   |         |
|--------------------------|----------|-------|---|---------|
| <input type="checkbox"/> | 188BT101 | E2398 | Dynamic Backrest<br><i>N/A w/ Reclining or Folding Frame.<br/>N/A in some configurations.</i> | \$1,525 |
|--------------------------|----------|-------|---|---------|

**JAY Backs (Optional)**

*Ordering JAY backs on-chair, See the JAY Price List. Requires Part #*

|                          |         |                         |            |
|--------------------------|---------|-------------------------|------------|
| <input type="checkbox"/> | 188JB01 | JAY Bundled Backrest    | Price List |
|                          |         | Backrest Name or Part # |            |
|                          |         | Width:                  | Height:    |

**STROLLER HANDLE BACK POSTS - BACK RESTS (Choose A, B, C or D)**

**A. Fixed Height**

|                          |         |   |       |   |
|--------------------------|---------|---|-------|---|
| <input type="checkbox"/> | 188BP9  | Low (19" Ht)  | NC    | A |
| <input type="checkbox"/> | 188BP10 | Medium (22" Ht)   | NC    |   |
| <input type="checkbox"/> | 188BP11 | Tall (25" Ht)   | NC    |   |
| <input type="checkbox"/> | 188BP13 | Removable Extension                                     | \$87  |   |
| <input type="checkbox"/> | 188RG1  | Folding Adjustable Rigidizer<br><i>N/A w/ Mono Back</i> | \$179 |   |

OR

**C. Mono Back System**

*Must select JAY J3 when ordering Mono Back.  
N/A w/ Folding Frame.*

**Select One**

|                          |        |       |   |         |   |
|--------------------------|--------|-------|---|---------|---|
| <input type="checkbox"/> | 188MO1 |       | Mono Backrest System                          | \$505   | C |
| <input type="checkbox"/> | 188MO2 | E2398 | Mono Backrest System<br>with Dynamic Backrest | \$1,525 |   |

**AND Select desired Push Handle**

|                          |        |  |                                    |    |
|--------------------------|--------|--|------------------------------------|----|
| <input type="checkbox"/> | 188PH8 |  | Std. Angle Adj. Push Handle Length | NC |
| <input type="checkbox"/> | 188PH9 |  | Long Angle Adj. Push Handle Length | NC |

OR

**B Height Adjustable**

*Rigid Back w/ Angle Adjust Push Handle*

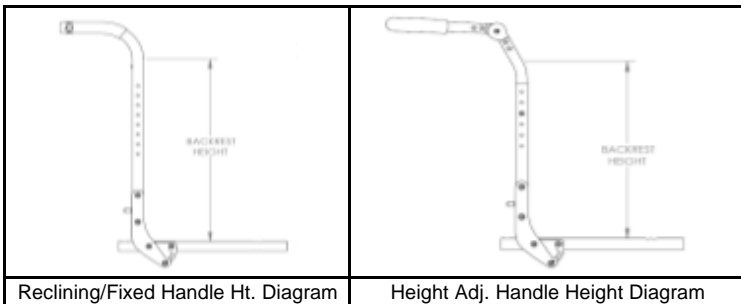
|                          |         |                                    |    |   |
|--------------------------|---------|------------------------------------|----|---|
| <input type="checkbox"/> | 188B170 | <b>Std. (16"-22" Height.)</b>      | NC | B |
| <input type="checkbox"/> | 188PH8  | Std. Angle Adj. Push Handle Lgth   | NC |   |
| <input type="checkbox"/> | 188PH9  | Long Angle Adj. Push Handle Length | NC |   |
| <input type="checkbox"/> | 188B171 | <b>Tall (19"-25" Height.)</b>      | NC |   |
| <input type="checkbox"/> | 188PH8  | Std. Angle Adj. Push Handle Lgth   | NC |   |
| <input type="checkbox"/> | 188PH9  | Long Angle Adj. Push Handle Length | NC |   |

OR

**D. Reclining Backrest**

*Only available with 40° Tilt Range. N/A w/Folding Frame*

|                          |         |                          |  |       |   |
|--------------------------|---------|--------------------------|--|-------|---|
| <input type="checkbox"/> | 188BT21 | E1225                    | Reclining Backrest   | \$903 | D |
|                          |         | <input type="checkbox"/> | 188B172 Medium (21" Height)  | NC    |   |
|                          |         | <input type="checkbox"/> | 188B173 Tall (24" Height)  | NC    |   |
| <input type="checkbox"/> | 188BP64 |                          | Angle Adj stroller handles<br><i>Height adj range 19"- 23"<br/>N/A on 10" widths w/Dual Trigger tilt<br/>release</i> | \$153 |   |
|                          |         | <input type="checkbox"/> | 188PH8 Standard push handle  | NC    |   |
|                          |         | <input type="checkbox"/> | 188PH9 Long push handle  | NC    |   |



**7. BACKREST / SEATING CONT.**

**Mono Backrest Options ONLY**

*N/A on Folding Frame, Vent/Battery Tray Base (LTV only), Reclining Backrest, Desk Length Arm pads, Canopy and 10"-11" frame widths and depths.*

**JAY J3 Back for Mono Backrest System**

|                          |         |  |                         |        |
|--------------------------|---------|--|-------------------------|--------|
| <input type="checkbox"/> | 188JB04 |  | JAY J3 Back Mono        | See OF |
| <input type="checkbox"/> | 188JB05 |  | JAY J3 via JAY Your Way | See OF |

**JAY J3 Backrest Contour**

|                          |         |       |   |       |
|--------------------------|---------|-------|---|-------|
| <input type="checkbox"/> | 188JP06 | E2613 | J3 PA Back - 2.2" of Contour Depth                    | \$546 |
| <input type="checkbox"/> | 188JP08 | E2615 | J3 PL Back - 3" of Contour Depth                      | \$638 |
| <input type="checkbox"/> | 188JP09 | E2620 | J3 PDL Back - 6" of Contour Depth<br>N/A w/ 12" width | \$765 |
| <input type="checkbox"/> | 188JP10 | E2620 | J3 PDC Back - 6" of Contour Depth<br>N/A w/ 12" width | \$765 |

**JAY J3 Backrest Height**

|                          |         |  |  |    |
|--------------------------|---------|--|--|----|
| <input type="checkbox"/> | 188JR07 |  | UT Standard - 16.5" shell height                   | NC |
| <input type="checkbox"/> | 188JR08 |  | UT Medium - 18" shell height<br>N/A w/ 12" width   | NC |
| <input type="checkbox"/> | 188JR09 |  | UT Tall - 19.5" shell height<br>N/A w/ 12" width   | NC |
| <input type="checkbox"/> | 188JR10 |  | SH Standard - 21" shell height<br>N/A w/ 12" width | NC |
| <input type="checkbox"/> | 188JR11 |  | SH Medium - 22.5" shell height<br>N/A w/ 12" width | NC |
| <input type="checkbox"/> | 188JR12 |  | SH Tall - 24" shell height<br>N/A w/ 12" width     | NC |

**JAY J3 Backrest Width**

Some interference may exist w/ armrest when ordering a backrest width greater than 4" wider than the base.

|                          |         |  |  |    |
|--------------------------|---------|--|--|----|
| <input type="checkbox"/> | 188JQ06 |  | 12" Backrest Width<br>Available w/UT Standard 16.5" shell ht | NC |
| <input type="checkbox"/> | 188JQ01 |  | 14" Backrest Width   | NC |
| <input type="checkbox"/> | 188JQ02 |  | 16" Backrest Width   | NC |
| <input type="checkbox"/> | 188JQ03 |  | 18" Backrest Width   | NC |

**JAY J3 Backrest Color**

|                          |         |  |                                 |      |
|--------------------------|---------|--|---------------------------------|------|
| <input type="checkbox"/> | 188GZ01 |  | Black                           | NC   |
| <input type="checkbox"/> | 188GZ02 |  | Match Frame- Standard Colors    | NC   |
| <input type="checkbox"/> | 188GZ03 |  | Match Frame- Personalized Color | \$50 |

**JAY J3 Back for Mono Backrest System Cont.**

**Select desired Headrest Mount - optional**

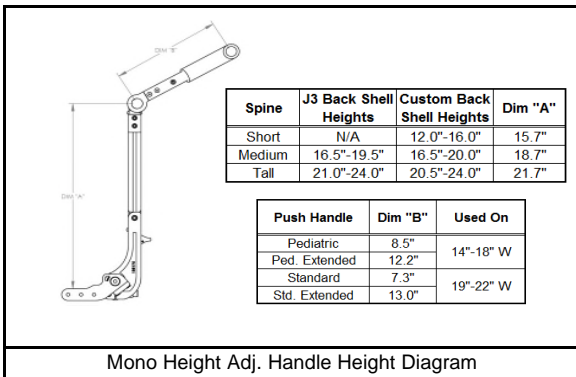
|                          |         |       |                                   |       |
|--------------------------|---------|-------|-----------------------------------|-------|
| <input type="checkbox"/> | 188MH10 | E1028 | Axys Mount & Bracket              | \$235 |
| <input type="checkbox"/> | 188MH15 | E1028 | Cobra Flip Back Mount and Bracket | \$286 |
| <input type="checkbox"/> | 188MH16 | E1028 | Onyx Mount and Bracket            | \$204 |
| <input type="checkbox"/> | 188MH17 |       | Omit                              | NC    |

**Select desired Headrest Pad - optional**

|                          |         |       |                            |       |
|--------------------------|---------|-------|----------------------------|-------|
| <input type="checkbox"/> | 188HE65 | E0955 | Plush Head Support Pad 8"  | \$230 |
| <input type="checkbox"/> | 188HE66 | E0955 | Plush Head Support Pad 10" | \$230 |
| <input type="checkbox"/> | 188HE78 | E0955 | Plush Head Support Pad 14" | \$230 |
| <input type="checkbox"/> | 188HE87 | E0955 | HeadsUp Lrg: 5.3" Lng Arms | \$316 |
| <input type="checkbox"/> | 188HE88 | E0955 | HeadsUp Med: 4.1" Sht Arms | \$316 |
| <input type="checkbox"/> | 188HE89 | E0955 | HeadsUp Sml: 3.5" Sht Arms | \$316 |
| <input type="checkbox"/> | 188HE83 | E0955 | Adjust-A-Plush Standard    | \$265 |
| <input type="checkbox"/> | 188HE82 | E0955 | Adjust-A-Plush Narrow      | \$265 |

**Select desired Lateral - optional**

|                          |   |       |                               |       |
|--------------------------|---|-------|-------------------------------|-------|
| <input type="checkbox"/> | <b>LAT 4X4 S/A MOUNTS includes 1" OFFSET - PR</b> |       |                               | \$805 |
|                          | 188ZV14   | E0956 | LATERAL 4X4 W/ 1" OFFSET-PAIR | \$260 |
|                          | 188ZS07   | E1028 | LATERAL SWING AWAY MOUNT-PAIR | \$545 |
| <input type="checkbox"/> | <b>LAT 4X5 S/A MOUNTS includes 1" OFFSET - PR</b> |       |                               | \$805 |
|                          | 188ZV15   | E0956 | LATERAL 4X5 W/ 1" OFFSET-PAIR | \$260 |
|                          | 188ZS07   | E1028 | LATERAL SWING AWAY MOUNT-PAIR | \$545 |
| <input type="checkbox"/> | <b>LAT 4X6 S/A MOUNTS includes 1" OFFSET - PR</b> |       |                               | \$805 |
|                          | 188ZV16   | E0956 | LATERAL 4X6 W/ 1" OFFSET-PAIR | \$260 |
|                          | 188ZS07   | E1028 | LATERAL SWING AWAY MOUNT-PAIR | \$545 |
| <input type="checkbox"/> | <b>LAT 6X4 S/A MOUNTS includes 1" OFFSET - PR</b> |       |                               | \$805 |
|                          | 188ZV17   | E0956 | LATERAL 6X4 W/ 1" OFFSET-PAIR | \$260 |
|                          | 188ZS07   | E1028 | LATERAL SWING AWAY MOUNT-PAIR | \$545 |
| <input type="checkbox"/> | <b>LAT 6X5 S/A MOUNTS includes 1" OFFSET - PR</b> |       |                               | \$805 |
|                          | 188ZV18   | E0956 | LATERAL 6X5 W/ 1" OFFSET-PAIR | \$260 |
|                          | 188ZS07   | E1028 | LATERAL SWING AWAY MOUNT-PAIR | \$545 |
| <input type="checkbox"/> | <b>LAT 6X6 S/A MOUNTS includes 1" OFFSET - PR</b> |       |                               | \$805 |
|                          | 188ZV19   | E0956 | LATERAL 6X6 W/ 1" OFFSET-PAIR | \$260 |
|                          | 188ZS07   | E1028 | LATERAL SWING AWAY MOUNT-PAIR | \$545 |



**8. ARMRESTS / SIDE GUARDS**

**Armrest - Height Adjustable**

Dual Post not available with 0 - 13" deep or with 14 - 15" deep seat pan, Dual Post also not available with contracture Footrest. Some interference may exist in some configurations.

|                          |          |       |   |       |
|--------------------------|----------|-------|---|-------|
| <input type="checkbox"/> | 188AA12  | E0973 | T-Post Regular w/Foam   | \$270 |
| <input type="checkbox"/> | 188AA13  | E0973 | T-Post Tall w/Foam  | \$270 |
| <input type="checkbox"/> | 188AA3   |       | Flip-Up   | NC    |
| <input type="checkbox"/> | 188AA1   | E0973 | Adjustable Locking Flip-Up  | \$270 |
| <input type="checkbox"/> | 188AA7   | E0973 | Length Adjust. Locking Flip-Up<br><i>N/A with Contour Armpad</i>  | \$281 |
| <input type="checkbox"/> | 188AA62  |       | Dual Post   | NC    |
| <input type="checkbox"/> | 188AA63  | E0973 | Dual Post Height Adjustable   | \$275 |
| <input type="checkbox"/> | 188AA43  |       | Dual Post Flip Back   | \$195 |
| <input type="checkbox"/> | 188AA48  | E0973 | Dual Post Flip Back Height Adj.   | \$301 |
| <input type="checkbox"/> | 188AA11  | E0973 | Single-Post Height Adj. Std.  | \$291 |
| <input type="checkbox"/> | 188AA29  | E0973 | Single-Post Height Adj. Low   | \$291 |
| <input type="checkbox"/> | 188AA154 | E0973 | Height Adj. Cantilever Armrest<br><i>Avail. w/ Mono Back only.<br/>N/A w/ 20", 22" and 24" rear wheels.</i> | \$255 |

**Armpad**

*Contour & Ergo only w/ Single Post Height Adj. - Foam only Length Adj.*

|                          |         |  |              |    |
|--------------------------|---------|--|--------------|----|
| <input type="checkbox"/> | 188AM23 |  | Desk Classic | NC |
| <input type="checkbox"/> | 188AM21 |  | Desk Contour | NC |
| <input type="checkbox"/> | 188AM24 |  | Full Classic | NC |
| <input type="checkbox"/> | 188AM22 |  | Full Contour | NC |
| <input type="checkbox"/> | 188AM9  |  | Foam Short   | NC |
| <input type="checkbox"/> | 188AM10 |  | Foam Long    | NC |
| <input type="checkbox"/> | 188AM27 |  | Ergo armpad  | NC |

**Armrest Receiver for Single Post Height Adjustable Armrest**

|                          |         |  |     |    |
|--------------------------|---------|--|-----|----|
| <input type="checkbox"/> | 188AR17 |  | Low | NC |
| <input type="checkbox"/> | 188AR18 |  | Std | NC |

**JAY Arm Troughs**

*N/A with Length Adj. Locking Flip Up and Adj Locking Flip Up armrests and Single Post Height Adj Armrests. Full Length Classic Armpads will automatically be selected when choosing only one side Arm Trough.*

|                          |         |       |                               |       |
|--------------------------|---------|-------|-------------------------------|-------|
| <input type="checkbox"/> | 188JL01 | E2209 | Arm Trough - 14" long - Left  | \$209 |
| <input type="checkbox"/> | 188JL04 | E2209 | Arm Trough - 14" long - Right | \$209 |
| <input type="checkbox"/> | 188JL05 | E2209 | Arm Trough - 14" long - Pair  | \$418 |
| <input type="checkbox"/> | 188JL02 | E2209 | Arm Trough - 18" long - Left  | \$209 |
| <input type="checkbox"/> | 188JL06 | E2209 | Arm Trough - 18" long - Right | \$209 |
| <input type="checkbox"/> | 188JL07 | E2209 | Arm Trough - 18" long - Pair  | \$418 |
| <input type="checkbox"/> | 188JL03 | E2209 | Arm Trough - 22" long - Left  | \$209 |
| <input type="checkbox"/> | 188JL08 | E2209 | Arm Trough - 22" long - Right | \$209 |
| <input type="checkbox"/> | 188JL09 | E2209 | Arm Trough - 22" long - Pair  | \$418 |

**JAY Arm Trough - Hardware**

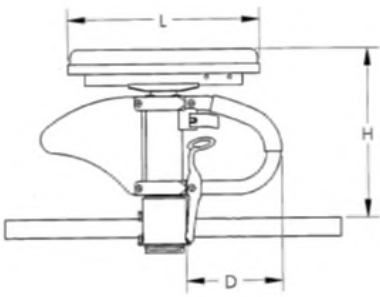
|                          |         |       |                                |       |
|--------------------------|---------|-------|--------------------------------|-------|
| <input type="checkbox"/> | 188JN01 |       | Fixed - Each                   | NC    |
| <input type="checkbox"/> | 188JN03 |       | Fixed - Pair                   | NC    |
| <input type="checkbox"/> | 188JN02 | E1028 | Swing Away - Rotational - Each | \$255 |
| <input type="checkbox"/> | 188JN04 | E1028 | Swing Away - Rotational - Pair | \$510 |

**Side Guard**

*Not available with height adjustable armrests, T Posts or Cantilever armrests. N/A with Mono Back.*

|                          |         |       |             |       |
|--------------------------|---------|-------|-------------|-------|
| <input type="checkbox"/> | 188SG33 | K0108 | Plastic Std | \$143 |
| <input type="checkbox"/> | 188SG29 | K0108 | Plastic Low | \$143 |

**Armrest Matrix for Single Post**

| Armrest Size  | Transfer Tube Length D | Receiver          | Classic Pad        |                    |         |
|---|------------------------|-------------------|--------------------|--------------------|---------|
|   |                        |                   | H Range            | Pad length L       |         |
|   |                        |                   |                    | Desk               | Full    |
| Std   | 8"                     | Std               | 10-3/4" to 15-3/4" | 10-1/4"            | 14"     |
|   |                        | Low               | 8-3/4" to 13-3/4"  |                    |         |
| Low   | 5-1/4"                 | Std               | 9" to 13"          | 10-1/4"            | 14"     |
|   |                        | Low               | 7-1/4" to 11-1/4"  |                    |         |
|  | Contour Pad            |                   |                    |                    |         |
|   | Receiver               | H Range           | Pad length L       |                    |         |
|   |                        |                   | Desk               | Full               |         |
|   | Std                    | 10" to 15"        | 10-1/2"            | 14-1/4"            |         |
|   | Low                    | 8-1/4" to 13-1/4" |                    |                    |         |
|   | Std                    | 8-1/2" to 12-1/2" | 10-1/2"            | 14-1/4"            |         |
|   | Low                    | 6-3/4" to 10-3/4" |                    |                    |         |
|   | Receiver               | Ergo Pad          |                    |                    |         |
|   |                        | H Range           | Pad length L       |                    |         |
|   |                        |                   | Std                | 10-1/2" to 15-1/2" | 11-3/4" |
| Low   |                        |                   | 8-3/4" to 13-3/4"  |                    |         |
| Std   |                        |                   | 9" to 13"          |                    |         |
| Low   | 7-1/4" to 11-1/4"      |                   |                    |                    |         |

**9. ACCESSORIES**

**Back Pack (Kids Backpack included)**

*All Zippie chairs ship with one Kids Backpack at NC*

|                          |       |                            |      |
|--------------------------|-------|----------------------------|------|
| <input type="checkbox"/> | 188A1 | Utility Backpack - Black   | \$77 |
| <input type="checkbox"/> | 188A2 | Additional Zippie Backpack | \$61 |

**Seat Pouch**

|                          |       |       |      |
|--------------------------|-------|-------|------|
| <input type="checkbox"/> | 188A8 | Black | \$51 |
|--------------------------|-------|-------|------|

**Miscellaneous**

|                          |        |          |      |
|--------------------------|--------|----------|------|
| <input type="checkbox"/> | 188A83 | Tool Kit | \$56 |
|--------------------------|--------|----------|------|

**Positioning Belt (w/clamps)**

|                          |         |       |                                   |       |
|--------------------------|---------|-------|-----------------------------------|-------|
| <input type="checkbox"/> | 188A112 | E0978 | 1" Dual Pull Side Squeeze Padded  | \$87  |
| <input type="checkbox"/> | 188A117 | E0978 | Belt 2" Aircraft Buckle           | \$112 |
| <input type="checkbox"/> | 188A118 | E0978 | Belt 2" Aircraft Buckle Padded    | \$122 |
| <input type="checkbox"/> | 188A814 | E0978 | JAY 2 Pt 1" Push Btn - 4.5" Pad   | \$122 |
| <input type="checkbox"/> | 188ZZ25 | E0978 | JAY 2 Pt 1.5" Push Btn - No Pad   | \$41  |
| <input type="checkbox"/> | 188ZZ26 | E0978 | JAY 2 Pt 1.5" Push Btn - 7.5" Pad | \$88  |
| <input type="checkbox"/> | 188ZZ27 | E0978 | JAY 2 Pt 2" Push Btn - No Pad     | \$41  |
| <input type="checkbox"/> | 188ZZ28 | E0978 | JAY 2 Pt 2" Push Btn - 9.5" Pad   | \$88  |

**Vertical Mount Vent Tray-Back cane Mount**

|                          |         |       |  |       |
|--------------------------|---------|-------|--|-------|
| <input type="checkbox"/> | 188LF12 | E1029 | Dovetail Vertical Frame Mounted Hardware for LTV Vent (limit 15lbs) includes 1 Utility Hook. - <i>Must remove for folding.</i> | \$505 |
| <input type="checkbox"/> | 188LF13 | E1029 | Dovetail Vertical Frame Mt Hardware for Trilogy Vent (limit 15lbs) includes 1 Utility Hook - <i>Must remove for folding.</i>   | \$505 |
| <input type="checkbox"/> | 188LF7  |       | Utility Hook   | \$26  |

**Upper Extremity Support Tray**

*When ordering a tray with full armrest or desk armrest pads, add 1" to seat width to determine best tray size. N/A with JAY Arm Trough. Must remove for folding.*

|                          |        |       |                                |       |
|--------------------------|--------|-------|--------------------------------|-------|
| <input type="checkbox"/> | 188A29 | E0950 | X-Sm (Suggested 10"-12" Width) | \$260 |
| <input type="checkbox"/> | 188A30 | E0950 | Sm (Suggested 13"-14" Width)   | \$260 |
| <input type="checkbox"/> | 188A31 | E0950 | Med (Suggested 15"-17" Width)  | \$260 |
| <input type="checkbox"/> | 188A32 | E0950 | Lrg (Suggested 18"-20" Width)  | \$260 |

**Canopy (SunShade)**

*Need 2" back post clearance to mount canopy hardware, may require next height based on seating; please note some interference may occur with some headrest configurations. N/A with Mono Back. Must remove for folding.*

|                          |         |       |                                 |       |
|--------------------------|---------|-------|---------------------------------|-------|
| <input type="checkbox"/> | 1888A06 | K0108 | Canopy (Sunshade) 10"-14" Width | \$281 |
| <input type="checkbox"/> | 1888A07 | K0108 | Canopy (Sunshade) 15"-20" Width | \$281 |

**JAY Anterior Thoracic Support**

**Style**

|                          |         |       |                            |       |
|--------------------------|---------|-------|----------------------------|-------|
| <input type="checkbox"/> | 188JY01 | E0960 | Classic Dynamic            | \$191 |
| <input type="checkbox"/> | 188JY02 | E0960 | Classic Structure          | \$191 |
| <input type="checkbox"/> | 188JY03 | E0960 | Contour Dynamic            | \$191 |
| <input type="checkbox"/> | 188JY04 | E0960 | Contour Structure          | \$191 |
| <input type="checkbox"/> | 188JY05 | E0960 | Center Opening with Buckle | \$191 |

**Size**

|                          |         |  |         |    |
|--------------------------|---------|--|---------|----|
| <input type="checkbox"/> | 188JZ01 |  | Small   | NC |
| <input type="checkbox"/> | 188JZ02 |  | Medium  | NC |
| <input type="checkbox"/> | 188JZ03 |  | Large   | NC |
| <input type="checkbox"/> | 188JZ04 |  | X-Large | NC |

**JAY Padded Trunk Strap**

|                          |         |       |                             |       |
|--------------------------|---------|-------|-----------------------------|-------|
| <input type="checkbox"/> | 188JA01 | E0960 | Padded Trunk Strap - Small  | \$191 |
| <input type="checkbox"/> | 188JA02 | E0960 | Padded Trunk Strap - Medium | \$191 |
| <input type="checkbox"/> | 188JA03 | E0960 | Padded Trunk Strap - Large  | \$191 |
| <input type="checkbox"/> | 188JA04 | E0960 | Padded Trunk Strap - XL     | \$191 |

**Spoke Guard**

*Not available with 12" & 16" rear wheels & Projections Handrims*

|                          |         |       |              |       |
|--------------------------|---------|-------|--------------|-------|
| <input type="checkbox"/> | 188A23  | K0065 | Black        | \$117 |
| <input type="checkbox"/> | 188A303 | K0065 | Clear Zippie | \$117 |

**Anti-Tip**

|                          |        |       |               |       |
|--------------------------|--------|-------|---------------|-------|
| <input type="checkbox"/> | 188AT1 | E0971 | Rear Anti-Tip | \$153 |
|--------------------------|--------|-------|---------------|-------|

**10. FRAME COLOR**

**Standard Colors**

|                          |         |  |                                       |    |
|--------------------------|---------|--|---------------------------------------|----|
| <input type="checkbox"/> | 188C140 |  | Aztec Gold                            | NC |
| <input type="checkbox"/> | 188C2   |  | Black - <i>N/A as base with Zebra</i> | NC |
| <input type="checkbox"/> | 188C141 |  | Black Cherry                          | NC |
| <input type="checkbox"/> | 188C10  |  | Black Opal                            | NC |
| <input type="checkbox"/> | 188C38  |  | Blue Opal                             | NC |
| <input type="checkbox"/> | 188C36  |  | Candy Blue                            | NC |
| <input type="checkbox"/> | 188C14  |  | Candy Purple                          | NC |
| <input type="checkbox"/> | 188C35  |  | Candy Red                             | NC |
| <input type="checkbox"/> | 188C142 |  | Electric Blue                         | NC |
| <input type="checkbox"/> | 188C143 |  | Evergreen                             | NC |
| <input type="checkbox"/> | 188C126 |  | Glow                                  | NC |
| <input type="checkbox"/> | 188C144 |  | Green Apple                           | NC |
| <input type="checkbox"/> | 188C147 |  | Hot Sparkle Pink                      | NC |
| <input type="checkbox"/> | 188C148 |  | Mauve Pink                            | NC |
| <input type="checkbox"/> | 188C103 |  | Rootbeer                              | NC |
| <input type="checkbox"/> | 188C114 |  | Sparkle Silver                        | NC |
| <input type="checkbox"/> | 188C145 |  | Sunrise Orange                        | NC |
| <input type="checkbox"/> | 188C113 |  | Titanium Color Paint                  | NC |
| <input type="checkbox"/> | 188C8   |  | Yellow                                | NC |

**Standard Matte Colors**

|                          |         |  |                     |    |
|--------------------------|---------|--|---------------------|----|
| <input type="checkbox"/> | 188C116 |  | Matte Black         | NC |
| <input type="checkbox"/> | 188C151 |  | Matte Black Cherry  | NC |
| <input type="checkbox"/> | 188C152 |  | Matte Purple        | NC |
| <input type="checkbox"/> | 188C150 |  | Matte Electric Blue | NC |
| <input type="checkbox"/> | 188C149 |  | Matte Evergreen     | NC |

**Personalized Colors**

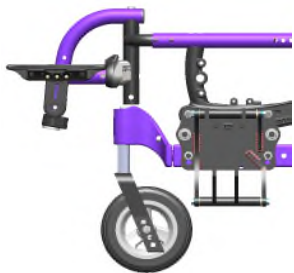
|                          |         |  |  |       |
|--------------------------|---------|--|--|-------|
| <input type="checkbox"/> | 188C43  |  | Mossy Oak Camouflage   | \$403 |
| <input type="checkbox"/> | 188C42  |  | Stars and Stripes  | \$403 |
| <input type="checkbox"/> | 188C108 |  | Zebra<br><i>Choose base color from Standard colors:<br/>White is Standard.</i> | \$403 |



Z-Finity Matrix

Growing Seat Pan Matrix - Rigid and Folding Frame Options

Direct Hanger Mount



Extension Tube Mount



Direct Hanger Mounted

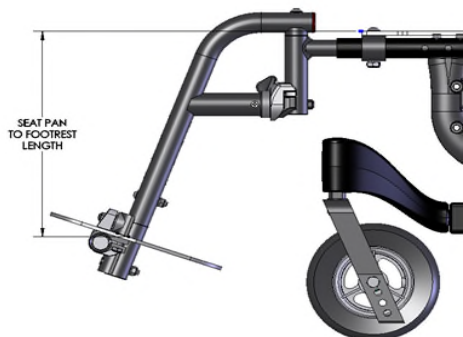
| Footrest Adaptor | Hanger Mounting Position | Min   | Max  |
|------------------|--------------------------|-------|------|
| Short            | High Mount               | -0.9" | 3.4" |
|                  | Low Mount                | 2.6"  | 6.7" |
| Long             | High Mount               | -2.1" | 4.6" |
|                  | Low Mount                | 1.3"  | 7.9" |

Extension Tube Mounted

| Footrest Adaptor | Extension Tube Length | Min  | Max   |
|------------------|-----------------------|------|-------|
| Short            | Hemi Short            | 3.9" | 12.4" |
|                  | Short                 | 4.9" | 13.4" |
|                  | Medium                | 6.6" | 15.4" |
|                  | Long                  | 8.6" | 17.4" |
| Long             | Hemi Short            | 2.6" | 13.6" |
|                  | Short                 | 4.1" | 14.6" |
|                  | Medium                | 5.6" | 16.6" |
|                  | Long                  | 7.6" | 18.6" |

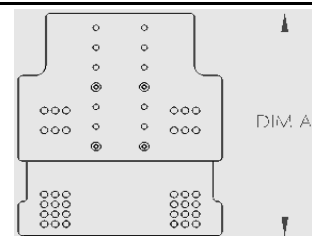
Lower Leg Length Matrix

| Hanger           | Extension | Seat Pan to Top of Footrest |         | Min Allowable FSH |
|------------------|-----------|-----------------------------|---------|-------------------|
|                  |           | Min                         | Max     |                   |
| 70° Front Mount  | No Ext.   | 3 1/2"                      | 9"      | 11 1/2"           |
|                  | 2"        | 3 1/2"                      | 11 1/2" | 13 1/2"           |
|                  | 4"        | 3 1/2"                      | 13 1/2" | 15 1/2"           |
| 80° Front Mount  | No Ext.   | 3 1/2"                      | 9 1/2"  | 11 1/2"           |
|                  | 2"        | 3 1/2"                      | 12"     | 14"               |
|                  | 4"        | 3 1/2"                      | 14"     | 16"               |
| 90° Front Mount  | No Ext.   | 3"                          | 9"      | 11 1/2"           |
| ELR Front Mount  | No Ext.   | 3"                          | 7"      | 10 1/2"           |
| 60° Swing In/Out | Short     | 9"                          | 12 1/2" | 12 1/2"           |
|                  | Medium    | 9"                          | 14 1/2" | 12 1/2"           |
|                  | Long      | 11 1/2"                     | 16"     | 14 1/2"           |
| 70° Swing In/Out | Short     | 10 1/2"                     | 15 1/2" | 12 1/2"           |
|                  | Medium    | 10 1/2"                     | 17 1/2" | 13"               |
|                  | Long      | 13 1/2"                     | 19"     | 15"               |
| 80° Swing In/Out | Short     | 11"                         | 14 1/2" | 13"               |
|                  | Medium    | 11"                         | 16 1/2" | 13"               |
|                  | Long      | 13"                         | 18"     | 15"               |
| ALR              | Short     | 14"                         | 17 1/2" | 12 1/2"           |
|                  | Medium    | 15"                         | 19 1/2" | 13 1/2"           |
|                  | Long      | 16 1/2"                     | 19"     | 14 1/2"           |
| ELR Ext Mount    | Short     | 13"                         | 17"     | 12 1/2"           |
|                  | Medium    | 13"                         | 18 1/2" | 13 1/2"           |
|                  | Long      | 14 1/2"                     | 20"     | 14 1/2"           |



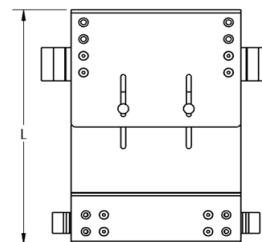
Rigid Frame - Frame Depth Growth Range Matrix

| Seat Pan Size | Dim A Range       |
|---------------|-------------------|
| 10" - 16"     | 11-1/4" - 15-1/4" |
| 14" - 18"     | 15" - 19"         |



Folding Frame - Frame Depth Growth Range Matrix

| Seat Depth Pan Size | Seat Depth |     |     |     |     |     |     |     |     |     |     | L Range |        |
|---------------------|------------|-----|-----|-----|-----|-----|-----|-----|-----|-----|-----|---------|--------|
|                     | 10"        | 11" | 12" | 13" | 14" | 15" | 16" | 17" | 18" | 19" | 20" | Min     | Max    |
| Short               | x          | x   | x   | x   | x   |     |     |     |     |     |     | 10"     | 14"    |
| Medium              |            |     |     |     | x   | x   |     |     |     |     |     | 11.75"  | 16.25" |
| Long                |            |     |     |     |     |     | x   | x   |     |     |     | 13.75"  | 18.25" |
| X-Long              |            |     |     |     |     |     |     |     | x   | x   | x   | 15.75"  | 20.25" |



Depth

Additional Options Through Built-4-Me

To inquire about any unique personalization for Zippie products, contact: Phone: (800) 333-4000, Fax: (800) 333-9011



Commonly Requested Options Include:

- ✓ Reverse Configuration
- ✓ Angle Adjustable Handle for Reclining Backrest
- ✓ Dual Mount Wheel Locks - Attendant Foot Lock
- ✓ Dynamic Back on Frame Depth up to 20"
- ✓ O2 Holder with Transit
- ✓ IV Pole with Transit
- ✓ Solid Seat w/ Quick Release Hardware for folding frame



Sunrise Medical (US) LLC  
2842 Business Park Ave. · Fresno, CA 93727 · USA