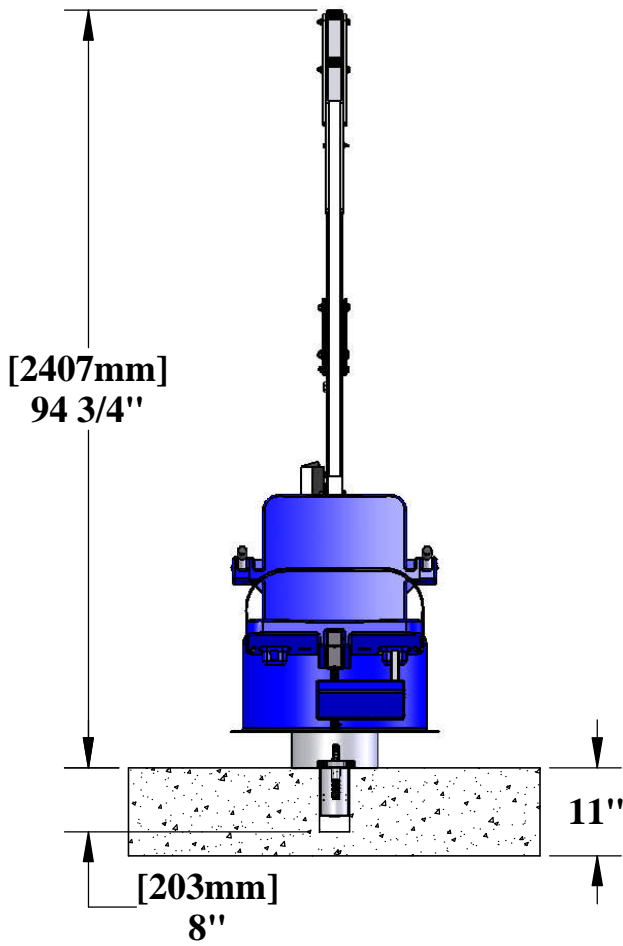
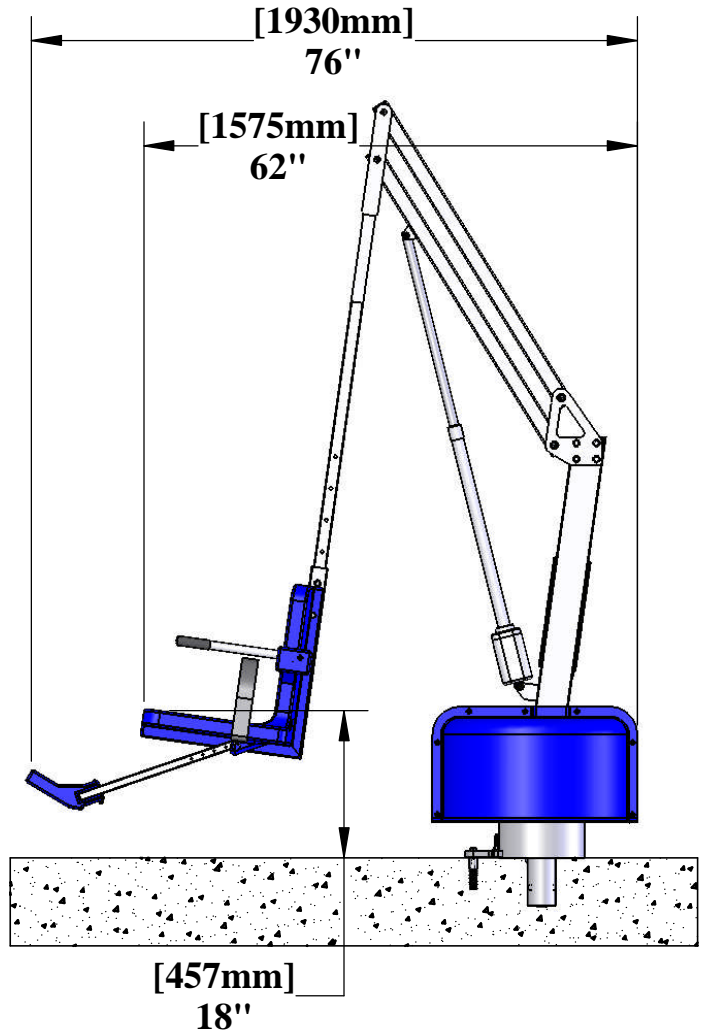


# TITAN LIFT

US PATENT NO. D507,769 S

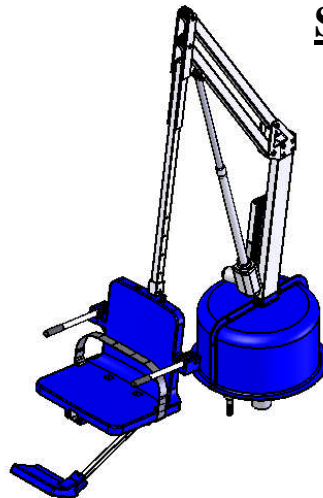


**FRONT VIEW**



**SIDE VIEW**

Inspected And Verified To Meet  
Applicable Sections of ADA  
Guidelines Section 1009.2 By  
**wyle**  
laboratories  
A Registered ISO 9001  
Laboratory



**ISOMETRIC VIEW**



**Aqua Creek Products**  
The Total Solution for Pool and Spa Access

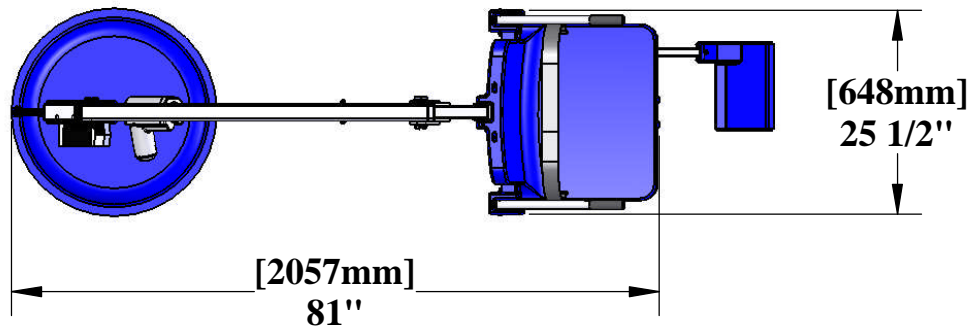
9889 GARRYMORE LANE  
MISSOULA, MT 59808  
(406) 549-0769  
FAX (406) 549-2602

NOTE:  
\*SPECIFICATIONS ARE SUBJECT TO CHANGE WITHOUT NOTICE

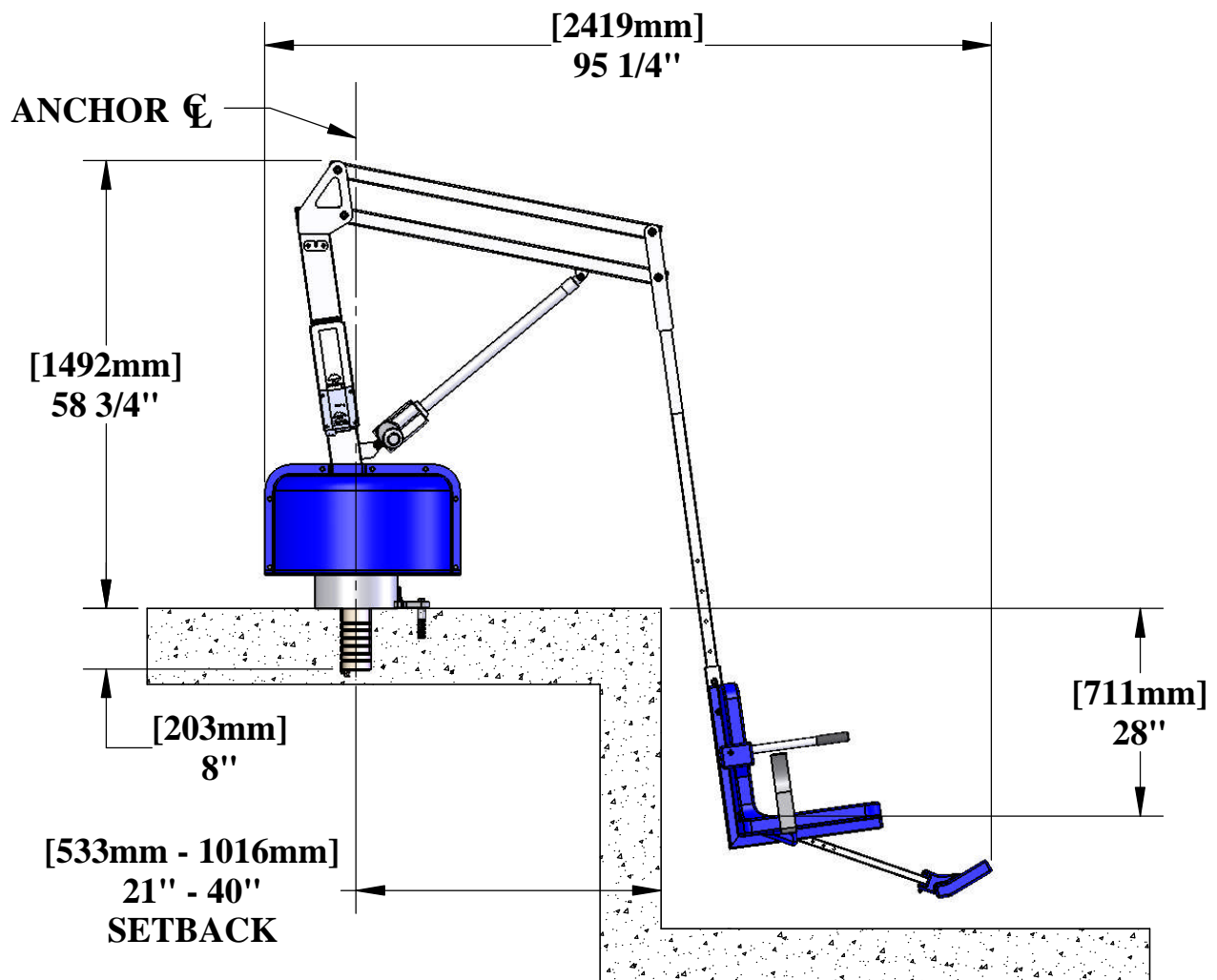
PRODUCT:	<b>F-600TL</b>	
DWG #:	<b>F-600TL-1</b>	
SCALE:	<b>1:24</b>	DATE: <b>1/29/15</b>
DRAWN BY:	<b>KR</b>	REVISION: <b>K</b>

# TITAN LIFT

US PATENT NO. D507,769 S



**TOP VIEW**  
(LIFT IN WATER)



**SIDE VIEW**  
(LIFT IN WATER)

9889 GARRYMORE LANE  
MISSOULA, MT 59808  
(406) 549-0769  
FAX (406) 549-2602

NOTE:  
\*SPECIFICATIONS ARE SUBJECT TO CHANGE WITHOUT NOTICE

PRODUCT:	F-600TL	
DWG #:	F-600TL-2	
SCALE:	1:24	DATE: 1/29/15
DRAWN BY:	KR	REVISION: K



## Aqua Creek Products

The Total Solution for Pool and Spa Access

# TITAN LIFT

US PATENT NO. D507,769 S

## SPECIFICATIONS:

**LIFTING CAPACITY: 600 lbs [272kg]**  
**STATIC LOAD CAPACITY: 900 lbs [408kg]**

**MAXIMUM WATER DRAFT (DECK TO WATER): 10" [254mm]**  
**MAXIMUM SETBACK: 40" [1016mm]**

**WEIGHT: 250 lbs [114kg]**

### **MATERIALS:**

**BASE: TYPE 304 STAINLESS STEEL, PVC, CONCRETE, RUBBER**  
**MAST & ARMS: TYPE 304 STAINLESS STEEL**  
**CHAIR & FOOTREST: LOW-DENSITY POLYETHYLENE**  
**SAFETY BELT: HEAVY-DUTY POLYESTER STRAP, HOOK & LOOK FASTENER**  
**POWDER COATING: OFF-WHITE POLYESTER [PN: 1PC-108-1912 BX50]**  
**FIXING ANCHOR-TAB: HIGH-DENSITY POLYETHYLENE**  
**FIXING BOLT:  $\phi$  1/2"-13 X 2", 316 SS**

### **STANDARD EQUIPMENT:**

**FLIP-UP ARMRESTS**  
**FLIP-UP FOOTREST**  
**SAFETY BELT**  
**ELECTRONICS COVER**

**24V BATTERY & CHARGER**  
**WATER RESISTANT HANDSET/REMOTE**  
**22" WIDE CHAIR**

### **AVAILABLE OPTIONS:**

**LOCKABLE COVER**  
**HEADREST**  
**CYCLE ATTACHMENT**  
**TRANSPORT CART**

**CHEST STRAP**  
**PULL-OUT LEGREST**  
**SOLAR CHARGING STATION**  
**UPGRADE PACK**



9889 GARRYMORE LANE  
MISSOULA, MT 59808  
(406) 549-0769  
FAX (406) 549-2602

NOTE:  
\*SPECIFICATIONS ARE SUBJECT TO CHANGE WITHOUT NOTICE

PRODUCT:		<b>F-600TL</b>	
DWG #:		<b>F-600TL-3</b>	
SCALE:	<b>1:1</b>	DATE:	<b>1/29/15</b>
DRAWN BY:	<b>KR</b>	REVISION:	<b>K</b>