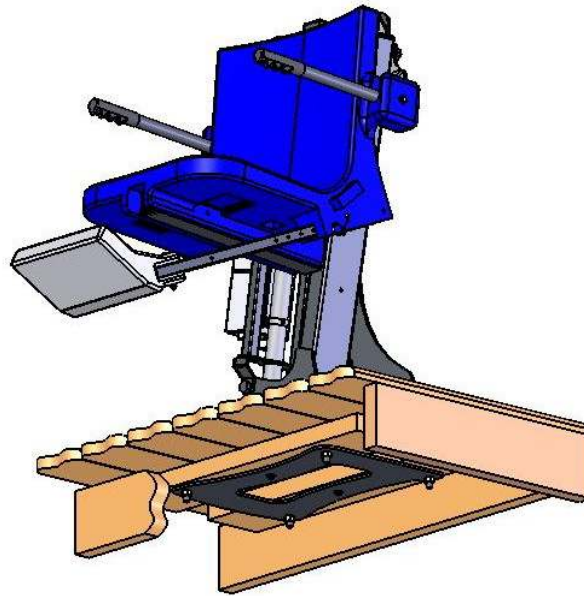


# INSTALLATION INSTRUCTIONS



## WOOD DECK ANCHOR (FOR) PRO POOL & RANGER LIFT

**450 LB. [204 kg] MAXIMUM CAPACITY**  
MANDATORY – LEAVE THIS MANUAL WITH LIFT OWNER

### **- READ CAREFULLY-**

Before beginning assembly check entire box and inside all packing materials for parts, read the instructions and identify parts using the figures and parts listed in this document. It is critical that all parts be carefully inspected by the installer prior to installation to ensure that no damage occurred in transit and that a damaged part is not used. Proper installation cannot be overstressed, as an improper installation voids Aqua Creek's warranty and may affect the safety of the user.



**9889 GARRYMORE LANE**  
**MISSOULA, MT 59808**  
**1-888-687-3552**  
**FAX: 406-549-2602**

## **REQUIRED HARDWARE:**

The Wood-Deck-Anchor kit does not include hardware – due to the possible variations in deck construction. The installation of the Wood-Deck-Anchor will require the following hardware (stainless steel is recommended).

- (4) 1/2" HEX BOLTS – LENGTH DETERMINED BY DECK THICKNESS (4" TYPICAL)
- (4) 1/2" FLAT WASHERS
- (4) 1/2" LOCKING NUTS (OR NUTS & LOCK-WASHERS)
- (2) 1/4" HEX BOLTS – LENGTH DETERMINED BY DECK THICKNESS (3" TYPICAL)
- (2) 1/4" FLAT WASHERS
- (2) 1/4" LOCKING NUTS (OR NUTS & LOCK-WASHERS)

## **INSTALLATION INSTRUCTIONS:**

1. Find the desired location of the lift. **NOTE: THIS PRODUCT WILL ONLY WORK FOR WOOD-DECKS THAT ARE LEVEL (FLUSH) WITH THE TOP OF THE POOL.** The setback for the front anchor bolt must be no more than 14 inches from the pool wall. **FIGURE 1**
2. Reinforce the decking by using additional 2X6 material bolted or screwed at a perpendicular angle to create an additional floor joist, and extending at **LEAST 6"** on either side of the anchor. See **FIGURE 1 & 3**.
3. Place the WOOD-DECK ANCHOR PLATE at the desired location and mark the six (6) bolt-hole locations.
4. Drill 9/16" diameter holes at the four corners, and 5/16" holes in the middle, at the locations marked in step 3.
5. Mount the WOOD-DECK ANCHOR PLATE under the deck using two (2) 1/4" hex bolts (stainless steel, not included) two (2) 1/4" locking nuts and two (2) 1/4" flat washers (stainless steel, not included). **FIGURES 1 & 3**
6. Mount the Pro Pool Lift to the deck using four (4) 1/2" hex head bolts and four (4) 1/2" flat washers as shown in **FIGURE 2 & FIGURE 3**.

