



Phone (800) 981-1540 | Fax (715) 254-0996
 sales@kimobility.com | www.kimobility.com

Company: _____

Ship To: _____

Account Number: _____ Date: _____

Address: _____

Quote PO Number: _____

City: _____ State: _____

RTS: _____

Zip: _____ Phone: _____

Marked For: _____

Email/Fax: _____

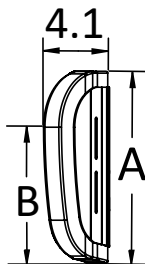
Effective 02/15/2021

Axiom Back

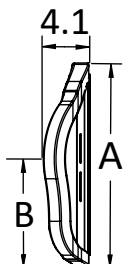
Select back that is the same or up to 2" narrower than the width of the frame. Hardware is included with back. Low Back selections are not available with headrests, modifications, or posture supports. Weight capacity: 300 lbs.

Axiom Posterior Back (PB)

		Width						
		12"	14"	16"	18"	20"	22"	
Retail		\$560	\$560	\$560	\$560	\$560	\$795	
HCPC		E2613	E2613	E2613	E2613	E2613	E2614	
Height	Low	8"	<input type="checkbox"/> AXPB1208	<input type="checkbox"/> AXPB1408	<input type="checkbox"/> AXPB1608	<input type="checkbox"/> AXPB1808	<input type="checkbox"/> AXPB2008	
		10"		<input type="checkbox"/> AXPB1410	<input type="checkbox"/> AXPB1610	<input type="checkbox"/> AXPB1810	<input type="checkbox"/> AXPB2010	<input type="checkbox"/> AXPB2210
		12"	<input type="checkbox"/> AXPB1212	<input type="checkbox"/> AXPB1412	<input type="checkbox"/> AXPB1612	<input type="checkbox"/> AXPB1812	<input type="checkbox"/> AXPB2012	
	Mid	14"		<input type="checkbox"/> AXPB1414	<input type="checkbox"/> AXPB1614	<input type="checkbox"/> AXPB1814	<input type="checkbox"/> AXPB2014	<input type="checkbox"/> AXPB2214
		16"	<input type="checkbox"/> AXPB1216	<input type="checkbox"/> AXPB1416	<input type="checkbox"/> AXPB1616	<input type="checkbox"/> AXPB1816	<input type="checkbox"/> AXPB2016	
		18"		<input type="checkbox"/> AXPB1418	<input type="checkbox"/> AXPB1618	<input type="checkbox"/> AXPB1818	<input type="checkbox"/> AXPB2018	<input type="checkbox"/> AXPB2218



Axiom Posterior Back - Low



Axiom Posterior Back - Mid

Axiom Posterior Back Measurement Reference					
		Back Height	A	B	Shell Contour Depth
Height	Low	8"	10"	6.5"	2.25"
		10"	12"	8.5"	
		12"	14"	10.5"	
	Mid	14"	16"	8.5"	
		16"	18"	9.5"	
		18"	20"	10.5"	

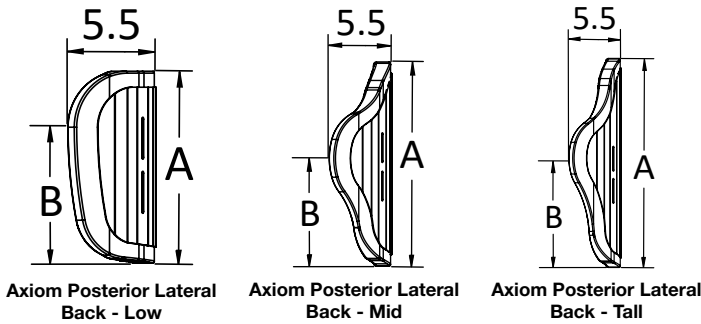
HCPCS codes provided are based on code verification by the PDAC or our interpretation of the code definitions.

Proper use of HCPCS codes does not ensure coverage or payment. For coverage information, verify the appropriate payer's coverage policy.

Axiom Back continued

Axiom Posterior Lateral Back (PL)

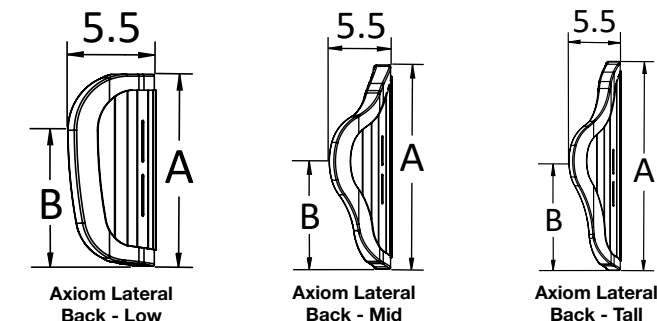
		Width						
		12"	14"	16"	18"	20"	22"	
Retail		\$640	\$640	\$640	\$640	\$640	\$870	
HCPC		E2615	E2615	E2615	E2615	E2615	E2616	
Height	Low	8"	<input type="checkbox"/> AXPL1208	<input type="checkbox"/> AXPL1408	<input type="checkbox"/> AXPL1608	<input type="checkbox"/> AXPL1808	<input type="checkbox"/> AXPL2008	
		10"		<input type="checkbox"/> AXPL1410	<input type="checkbox"/> AXPL1610	<input type="checkbox"/> AXPL1810	<input type="checkbox"/> AXPL2010	<input type="checkbox"/> AXPL2210
		12"	<input type="checkbox"/> AXPL1212	<input type="checkbox"/> AXPL1412	<input type="checkbox"/> AXPL1612	<input type="checkbox"/> AXPL1812	<input type="checkbox"/> AXPL2012	
	Mid	14"		<input type="checkbox"/> AXPL1414	<input type="checkbox"/> AXPL1614	<input type="checkbox"/> AXPL1814	<input type="checkbox"/> AXPL2014	<input type="checkbox"/> AXPL2214
		16"	<input type="checkbox"/> AXPL1216	<input type="checkbox"/> AXPL1416	<input type="checkbox"/> AXPL1616	<input type="checkbox"/> AXPL1816	<input type="checkbox"/> AXPL2016	
		18"		<input type="checkbox"/> AXPL1418	<input type="checkbox"/> AXPL1618	<input type="checkbox"/> AXPL1818	<input type="checkbox"/> AXPL2018	<input type="checkbox"/> AXPL2218
	Tall	20"	<input type="checkbox"/> AXPL1220	<input type="checkbox"/> AXPL1420	<input type="checkbox"/> AXPL1620	<input type="checkbox"/> AXPL1820	<input type="checkbox"/> AXPL2020	
		22"		<input type="checkbox"/> AXPL1422	<input type="checkbox"/> AXPL1622	<input type="checkbox"/> AXPL1822	<input type="checkbox"/> AXPL2022	<input type="checkbox"/> AXPL2222



Axiom Posterior Lateral Back Measurement Reference					
		Back Height	A	B	Shell Contour Depth
Height	Low	8"	10"	6.5"	3.65"
		10"	12"	8.5"	
		12"	14"	10.5"	
	Mid	14"	16"	8.5"	
		16"	18"	9.5"	
		18"	20"	10.5"	
	Tall	20"	22"	11.5"	
		22"	24"	12.5"	

Axiom Lateral Back (LB)

		Width						
		12"	14"	16"	18"	20"	22"	
Retail		\$740	\$740	\$740	\$740	\$740	\$820	
HCPC		E2620	E2620	E2620	E2620	E2620	E2621	
Height	Low	8"	<input type="checkbox"/> AXLB1208	<input type="checkbox"/> AXLB1408	<input type="checkbox"/> AXLB1608	<input type="checkbox"/> AXLB1808	<input type="checkbox"/> AXLB2008	
		10"		<input type="checkbox"/> AXLB1410	<input type="checkbox"/> AXLB1610	<input type="checkbox"/> AXLB1810	<input type="checkbox"/> AXLB2010	<input type="checkbox"/> AXLB2210
		12"	<input type="checkbox"/> AXLB1212	<input type="checkbox"/> AXLB1412	<input type="checkbox"/> AXLB1612	<input type="checkbox"/> AXLB1812	<input type="checkbox"/> AXLB2012	
	Mid	14"		<input type="checkbox"/> AXLB1414	<input type="checkbox"/> AXLB1614	<input type="checkbox"/> AXLB1814	<input type="checkbox"/> AXLB2014	<input type="checkbox"/> AXLB2214
		16"	<input type="checkbox"/> AXLB1216	<input type="checkbox"/> AXLB1416	<input type="checkbox"/> AXLB1616	<input type="checkbox"/> AXLB1816	<input type="checkbox"/> AXLB2016	
		18"		<input type="checkbox"/> AXLB1418	<input type="checkbox"/> AXLB1618	<input type="checkbox"/> AXLB1818	<input type="checkbox"/> AXLB2018	<input type="checkbox"/> AXLB2218
	Tall	20"	<input type="checkbox"/> AXLB1220	<input type="checkbox"/> AXLB1420	<input type="checkbox"/> AXLB1620	<input type="checkbox"/> AXLB1820	<input type="checkbox"/> AXLB2020	
		22"		<input type="checkbox"/> AXLB1422	<input type="checkbox"/> AXLB1622	<input type="checkbox"/> AXLB1822	<input type="checkbox"/> AXLB2022	<input type="checkbox"/> AXLB2222

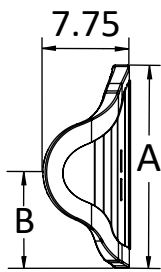


Axiom Lateral Back Measurement Reference					
		Back Height	A	B	Shell Contour Depth
Height	Low	8"	10"	6.5"	3.65"
		10"	12"	8.5"	
		12"	14"	10.5"	
	Mid	14"	16"	8.5"	
		16"	18"	9.5"	
		18"	20"	10.5"	
	Tall	20"	22"	11.5"	
		22"	24"	12.5"	

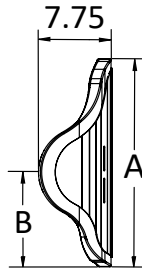
Axiom Back continued

Axiom Deep Lateral Back (DL)

		Width						
		12"	14"	16"	18"	20"	22"	
Retail		\$740	\$740	\$740	\$740	\$740	\$820	
HCPC		E2620	E2620	E2620	E2620	E2620	E2621	
Height	Mid	14"	<input type="checkbox"/> AXDL1214	<input type="checkbox"/> AXDL1414	<input type="checkbox"/> AXDL1614	<input type="checkbox"/> AXDL1814	<input type="checkbox"/> AXDL2014	<input type="checkbox"/> AXDL2214
		16"		<input type="checkbox"/> AXDL1416	<input type="checkbox"/> AXDL1616	<input type="checkbox"/> AXDL1816	<input type="checkbox"/> AXDL2016	
		18"	<input type="checkbox"/> AXDL1218	<input type="checkbox"/> AXDL1418	<input type="checkbox"/> AXDL1618	<input type="checkbox"/> AXDL1818	<input type="checkbox"/> AXDL2018	<input type="checkbox"/> AXDL2218
	Tall	20"	<input type="checkbox"/> AXDL1220	<input type="checkbox"/> AXDL1420	<input type="checkbox"/> AXDL1620	<input type="checkbox"/> AXDL1820	<input type="checkbox"/> AXDL2020	
		22"		<input type="checkbox"/> AXDL1422	<input type="checkbox"/> AXDL1622	<input type="checkbox"/> AXDL1822	<input type="checkbox"/> AXDL2022	<input type="checkbox"/> AXDL2222



Axiom Deep Lateral Back - Mid



Axiom Deep Lateral Back - Tall

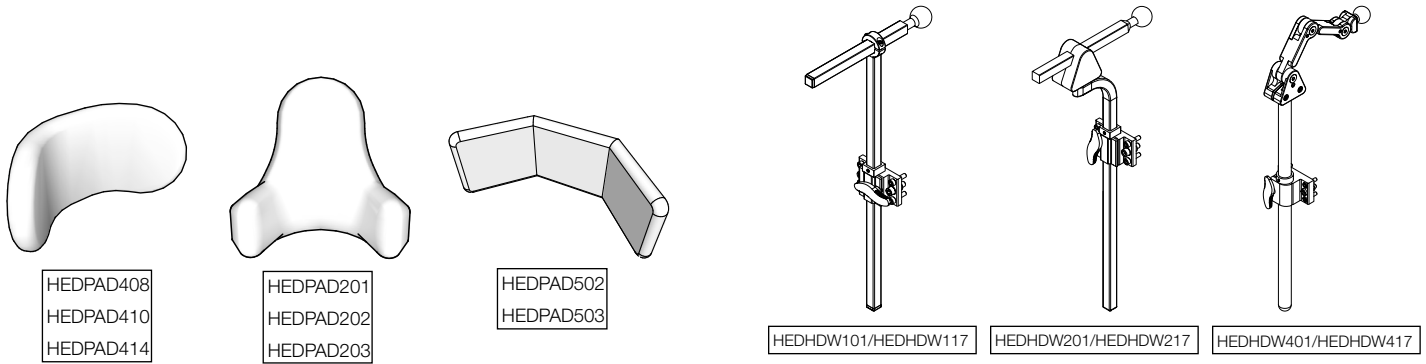
		Axiom Deep Lateral Back Measurement Reference								
		Back Height	A	B ¹					Shell Contour Depth	
				12"	14"	16"	18"	20"		22"
Height	Mid	14"	16"	8.25"	8.25"	8.25"	8.25"	8.25"	8.25"	6"
		16"	18"	9.25"	9.25"	9.25"	9.25"	9.25"	9.25"	
		18"	20"	10.25"	10.25"	10.25"	10.25"	10.25"	10.25"	
	Tall	20"	22"	9.5"	9.75"	10"	10.25"	10.25"	10.5"	
		22"	24"	10.75"	11"	11.25"	11.5"	11.5"	11.75"	

¹ Measurement based on back width

Axiom Back Accessories

Headrest and Hardware

Choose headrest and hardware combination in chart below. Not available with Low Backs.



				Hardware					
				Standard Straight Back Mount Hardware with Ball		Multi Axis Removable Hardware with Horizontal Bar		Headrest Hardware with Ball	
				HEDHDW101 / HEDHDW117		HEDHDW201 / HEDHDW217		HEDHDW401 / HEDHDW417	
	Description	Item Code	HCPC	Kio Code	Retail	Kio Code	Retail	Kio Code	Retail
Headrest Pad	Comfort Plus Headrest 8"	HEDPAD408	E0955 E1028	<input type="checkbox"/> HDR001	\$277	<input type="checkbox"/> HDR009	\$313	<input type="checkbox"/> HDR017	\$388
	Comfort Plus Headrest 10"	HEDPAD410	E0955 E1028	<input type="checkbox"/> HDR002	\$277	<input type="checkbox"/> HDR010	\$313	<input type="checkbox"/> HDR018	\$388
	Comfort Plus Headrest 14"	HEDPAD414	E0955 E1028	<input type="checkbox"/> HDR003	\$277	<input type="checkbox"/> HDR011	\$313	<input type="checkbox"/> HDR019	\$388
	Small All Positioning Headrest Pad and Ring Only	HEDPAD201	E0955 E1028	<input type="checkbox"/> HDR004	\$277	<input type="checkbox"/> HDR012	\$313	<input type="checkbox"/> HDR020	\$388
	Medium All Positioning Headrest Pad and Ring Only	HEDPAD202	E0955 E1028	<input type="checkbox"/> HDR005	\$277	<input type="checkbox"/> HDR013	\$313	<input type="checkbox"/> HDR021	\$388
	Large All Positioning Headrest Pad and Ring Only	HEDPAD203	E0955 E1028	<input type="checkbox"/> HDR006	\$277	<input type="checkbox"/> HDR014	\$313	<input type="checkbox"/> HDR022	\$388
	Tri-Comfort Plus Headrest 14"	HEDPAD502	E0955 E1028	<input type="checkbox"/> HDR007	\$288	<input type="checkbox"/> HDR015	\$324	<input type="checkbox"/> HDR023	\$399
	Tri-Comfort Plus Headrest 19"	HEDPAD503	E0955 E1028	<input type="checkbox"/> HDR008	\$288	<input type="checkbox"/> HDR016	\$324	<input type="checkbox"/> HDR024	\$399

Headrest Hardware Options

	Description	Item Code	HCPC	Retail (Each)
<input type="checkbox"/>	Headrest Flip Down Mount <i>Only available with HEDHMD401/HEDHMD417</i>	HDR100	E1028	\$170
<input type="checkbox"/>	Universal Mounting Plate <i>For use with other manufacturer headrests</i>	UMP	K0108	\$40

Axiom Back Accessories continued

Lateral Support

Laterals for Posterior Back					Item Code	HCPC	Pair	Each
Pair	Left	Right	Description					
<input type="checkbox"/>	<input type="checkbox"/>	<input type="checkbox"/>	3 x 4 Lateral Pads with Fixed Mounting Hardware for Axiom Posterior Back	LF3x4P	E0956	\$305	\$153	
<input type="checkbox"/>	<input type="checkbox"/>	<input type="checkbox"/>	4 x 5 Lateral Pads with Fixed Mounting Hardware for Axiom Posterior Back	LF4x5P	E0956	\$305	\$153	
<input type="checkbox"/>	<input type="checkbox"/>	<input type="checkbox"/>	3 x 4 Lateral Pads with Swing Away Mounting Hardware for Axiom Posterior Back	LS3x4P	E0956, E1028	\$650	\$325	
<input type="checkbox"/>	<input type="checkbox"/>	<input type="checkbox"/>	4 x 5 Lateral Pads with Swing Away Mounting Hardware for Axiom Posterior Back	LS4x5P	E0956, E1028	\$650	\$325	

Laterals for Posterior Lateral Back

Pair	Left	Right	Description	Item Code	HCPC	Pair	Each
<input type="checkbox"/>	<input type="checkbox"/>	<input type="checkbox"/>	3 x 4 Lateral Pads with Fixed Mounting Hardware for Axiom Posterior Lateral Back	LF3x4L	E0956	\$305	\$153
<input type="checkbox"/>	<input type="checkbox"/>	<input type="checkbox"/>	4 x 5 Lateral Pads with Fixed Mounting Hardware for Axiom Posterior Lateral Back	LF4x5L	E0956	\$305	\$153
<input type="checkbox"/>	<input type="checkbox"/>	<input type="checkbox"/>	3 x 4 Lateral Pads with Swing Away Mounting Hardware for Axiom Posterior Lateral Back	LS3x4L	E0956, E1028	\$650	\$325
<input type="checkbox"/>	<input type="checkbox"/>	<input type="checkbox"/>	4 x 5 Lateral Pads with Swing Away Mounting Hardware for Axiom Posterior Lateral Back	LS4x5L	E0956, E1028	\$650	\$325

Axiom Lateral Support Modifications

Extended lead times will apply. Modified Lateral Supports are not eligible for refund.

Description	Item Code	HCPC	Retail
<input type="checkbox"/> Modification for Chest Strap attached to Lateral Supports	AXMLATMT	K0108	N/C

Lumbar Pads

Available only with Axiom Lateral Back and Axiom Deep Lateral back

Description	HCPC	Retail
<input type="checkbox"/> Lumbar Pad	K0108	\$48

Privacy Flap

Description	HCPC	Retail
<input type="checkbox"/> Privacy Flap	K0108	\$45

Shoulder Guides

Description	Item Code	HCPC	Retail
<input type="checkbox"/> Shoulder Strap Guides and Mount <i>Selection of a modification from the Axiom Back Modifications required in order to mount Shoulder Guides. Not available with Low Backs.</i>	AXBSG	K0108	\$75

Axiom Back Accessories continued

Therafin Posture Support

Selection of a modification from the Axiom Back Modifications section required in order to mount posture supports. Not available with Low Backs.

	Description	Item Code	HCPC	Retail
<input type="checkbox"/>	Small Static Therafit 2-Piece Chest Strap with H & L Adj and 1" Safety Strap	60153T	E0960	\$144
<input type="checkbox"/>	Medium Static Therafit 2-Piece Chest Strap with H & L Adj and 1" Safety Strap	60154T	E0960	\$144
<input type="checkbox"/>	Large Static Therafit 2-Piece Chest Strap with H & L Adj and 1" Safety Strap	60155T	E0960	\$144
<input type="checkbox"/>	Small Dynamic Therafit Chest Strap with Dual D-Ring Adjustment	60110T	E0960	\$113
<input type="checkbox"/>	Medium Dynamic Therafit Chest Strap with Dual D-Ring Adjustment	60111T	E0960	\$113
<input type="checkbox"/>	Large Dynamic Therafit Chest Strap with Dual D-Ring Adjustment	60112T	E0960	\$113
<input type="checkbox"/>	Small Dynamic Therafit Comfortfit Full Vest	30589T	E0960	\$167
<input type="checkbox"/>	Medium Dynamic Therafit Comfortfit Full Vest	30590T	E0960	\$167
<input type="checkbox"/>	Large Dynamic Therafit Comfortfit Full Vest	30591T	E0960	\$167
<input type="checkbox"/>	XLarge Dynamic Therafit Comfortfit Full Vest	30592T	E0960	\$167
<input type="checkbox"/>	XXLarge Dynamic Therafit Comfortfit Full Vest	30593T	E0960	\$167
<input type="checkbox"/>	Small Dynamic Therafit Comfortfit Trim Vest	30618T	E0960	\$169
<input type="checkbox"/>	Medium Dynamic Therafit Comfortfit Trim Vest	30619T	E0960	\$169
<input type="checkbox"/>	Large Dynamic Therafit Comfortfit Trim Vest	30620T	E0960	\$169
<input type="checkbox"/>	XLarge Dynamic Therafit Comfortfit Trim Vest	30621T	E0960	\$169
<input type="checkbox"/>	XXLarge Dynamic Therafit Comfortfit Trim Vest	30622T	E0960	\$169

Axiom Back Modifications

Extended lead times will apply for all modifications. Makes back non-refundable.

Axiom Back Modifications

Choose modification to add holes to the back shell in order to mount posture supports. Not available with Low Backs.

	Description	Item Code	HCPC	Retail
<input type="checkbox"/>	Modification for 4 Point Harness	AXM4PT	K0108	N/C
<input type="checkbox"/>	Modification for 2 Point Chest Strap	AXM2PT	K0108	N/C
<input type="checkbox"/>	Modification for Shoulder Guides	AXMSG	K0108	N/C

Painted Back Shell Modification

If no selection is made, standard Shadow Black will be used with no additional lead time

	Gloss Finish	Item Code	Retail
<input type="checkbox"/>	Black	AXMBLK	N/C
<input type="checkbox"/>	Blue Skies	AXMSKY	N/C
<input type="checkbox"/>	Bubblegum Pink	AXMPNK	N/C
<input type="checkbox"/>	Candy Blue	AXMCBL	N/C
<input type="checkbox"/>	Candy Purple	AXMPUR	N/C
<input type="checkbox"/>	Candy Red	AXMRED	N/C
<input type="checkbox"/>	Copper	AXMCOP	N/C
<input type="checkbox"/>	Granny Smith	AXMGSM	N/C
<input type="checkbox"/>	Metallic Orange	AXMMOR	N/C
<input type="checkbox"/>	Silver	AXMSIL	N/C
<input type="checkbox"/>	Teal	AXMTEA	N/C
<input type="checkbox"/>	Yellow	AXMYLW	N/C

	Matte Finish	Item Code	Retail
<input type="checkbox"/>	Charcoal Gray	AXMCGM	N/C
<input type="checkbox"/>	Emerald Green	AXMEGM	N/C
<input type="checkbox"/>	Iridescent Burgundy	AXMIBM	N/C
<input type="checkbox"/>	Iridescent Navy	AXMINM	N/C
<input type="checkbox"/>	Military Green	AXMAGM	N/C
<input type="checkbox"/>	Retro Red	AXMRRM	N/C
<input type="checkbox"/>	Royal Blue	AXMRBM	N/C
<input type="checkbox"/>	Smooth White	AXMSWM	N/C