

**Accessories Parts List
9000SL / 9000XT / 9000XDT / 9000XT
Recliner**



Parts Catalog Usage Guide

The information contained in this document is subject to change without notice. This catalog contains service parts for Form No. 95-115. If you have any questions regarding this catalog, please contact one of our Customer Service Representatives.

For Customer Service Support Call:

1-800-333-6900

For Faxed In Orders Call:

1-800-678-4682 or

1-440-366-0709

For Technical Service Call:

1-800-832-4707

Literature Can Be Found at:

www.invacare.com or

1-800-828-6272

SYMBOL DEFINITION

Throughout this catalog you will notice letters to draw your attention to specific footnotes which are located at the bottom of the page or below specified charts.

Examples:

A,B,C etc. = Special Comments

NOTE: = General information pertaining to that specific page

NLA = No Longer Available

HARDWARE MEASUREMENTS

The measurements for the hardware will be listed as follows:

Screws, Bolts Diameter X Thread Count/Pitch X Length

Washers Inside Diameter X Outside Diameter X Thickness

Spacers Inside Diameter X Outside Diameter X Length

For your convenience, we have supplied an area for you to list your Invacare Representatives.

Name	Phone Numbers

©2009 Invacare Corporation, Elyria, Ohio. Invacare, the Medallion Design and Yes, you can.; are registered trademarks.

TABLE of CONTENTS

Description	Page Number
Amputee Attachment	5
Anti-Tippers	8
Carrying Pocket, Carrying Strap, Crutch and Cane Carrier	11
Cyclical Lever Drive - 7 Spoke - After 9/01	45
Cyclical Lever Drive - 9 Spoke - For Canadian Chairs Only	48
Cyclical Lever Drive -7 Spoke - Before 10/01	43
Fabric Clothing Protector	17
Fork and Release Handle for Cyclical Lever Drive	50
Head Support	15
Headrest Extension Non-Recliner Chairs	12
I.V. Rod - Recliner	22
I.V. Rod and Bracket (2218) - Non-Recliner	21
I.V./ Oxygen Holder	19
Lumbar Cushion with Hook Straps and Non-Folding Device	26
Non-Folding Device	54
One Arm Drive - 9000XT, 9000XDT	27
Oxygen Holder - 1497	24
Seat Positioning Straps, Tire Pumps, and Transfer Board	33
Solid Back Insert and Back Pack	34
Solid Folding Seats - Drop Hook	38
Solid Seat Insert and Seat Pouch	36

TABLE of CONTENTS

Description	Page Number
Torso Support	41
Upholstery Color Option	4
Utility Tray	31
Wheel Lock Extensions	52

Upholstery Color Option

Sail Cloth with Velcro Strap

Color Number	Description
U245	Black

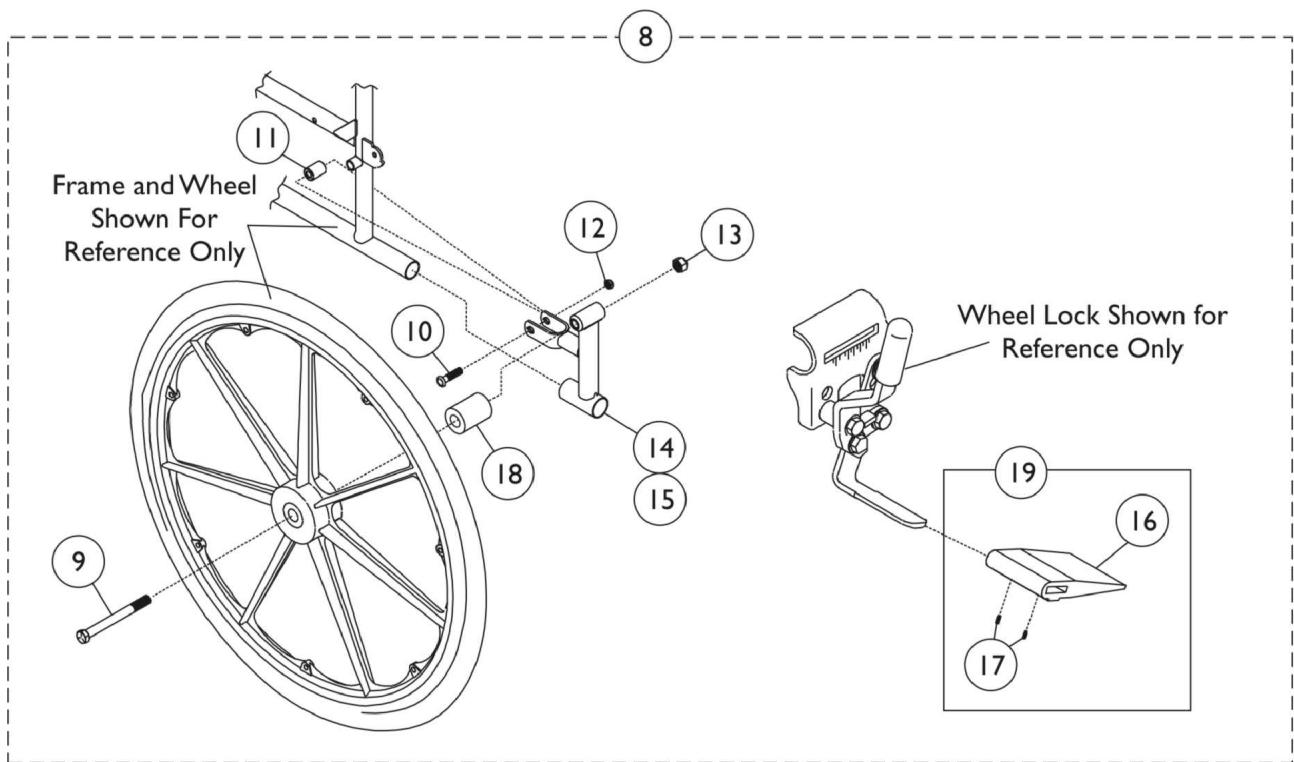
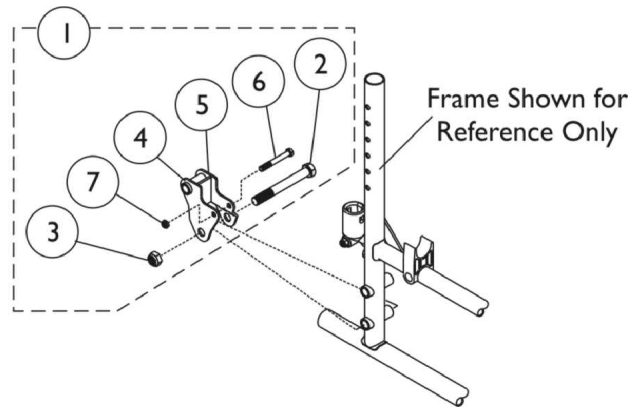
Nylon Colors

Color Number	Description
U240	Black
U246	Hunter Green (9000SL/XT Only)
U247	Ruby (9000SL/XT Only)

Vinyl Colors

Color Number	Description
U67	Black
U88	Camel
U85	Dark Blue
U75	Dove Grey
U60	Marina Blue (9000SL/XT/XDT Only)
U86	Ruby Red
U52	Sand (9000SL/XT/XDT Only)
U97	Light Blue
U92	Sky Blue (9000SL/XT/XDT Only)

Amputee Attachment



Amputee Attachment

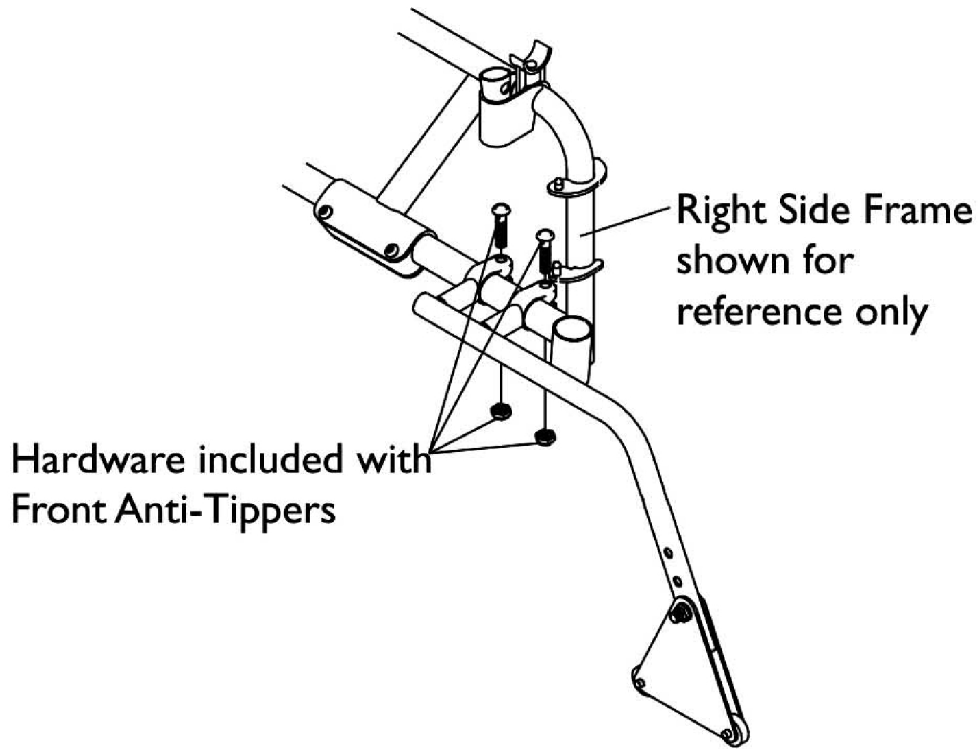
Item Number	Note	Part Number	Description	Quantity Per	
				Package	Assembly
1	A,B,J	1058670	Amputee Attachment (Pair)	1	1
2			Screw, Hex Head (7/16-20 x 2-1/2")	1	2
3			Locknut (7/16-20)	1	2
4			Bracket, Amputee, Chrome - Right Adult/Left Hemi	1	1
5			Bracket, Amputee, Chrome - Left Adult/Right Hemi	1	1
6			Screw, Hex Head (1/4-20 x 1-1/2")	1	2
7			Locknut (1/4-20)	1	2
			Instruction Sheet	1	1
8	A,C,E	1064054	Amputee Attachment (Pair)	1	1
9			Bolt, Hex Head Cap (7/16-20 x 4-3/4")	2	1
10			Screw, Hex Head (5/16-24 x 1-1/2")	2	1
11			Spacer, Chrome (5/16 x 11/16 x 15/16")	2	1
12			Locknut (5/16-24)	2	1
13			Locknut (7/16-20)	2	1
14			Bracket, Amputee, Chrome - Right	1	1
15			Bracket, Amputee, Chrome - Left	1	1
16			Spacer, Shoe Wheel Lock (2-7/16")	2	1
17			Screw, Set Socket Cup Point (#8-32 x 3/16")	4	1
			Instruction Sheet	1	1
8	A,D,F	1065224	Amputee Attachment (Pair)	1	1
9			Screw, (7/16-20 x 5-1/4")	2	1
10			Screw, Hex Head (5/16-24 x 1-1/2")	2	1
11			Spacer, Chrome (5/16 x 11/16 x 15/16")	2	1
12			Locknut (5/16-24)	2	1
13			Locknut (7/16-20)	2	1
14			Bracket, Amputee, Chrome - Right	1	1
15			Bracket, Amputee, Chrome - Left	1	1
16			Spacer, Shoe Wheel Lock (2-7/16")	2	1
17			Screw, Set Socket Cup Point (#8-32 x 3/16")	4	1
18	Spacer (7/16 x 5/8 x 1/2")	2	1		
			Instruction Sheet	1	1
19	C,G,I	1048656	Kit, Wheel Lock Shoe Spacer	1	1
16			Spacer, Wheel Lock Shoe (1-45/64")	1	1
17			Screw, Set Socket Cup Point (#8-32 x 3/16")	1	2
19	D,H,I	7400109	Kit, Wheel Lock Shoe Spacer	1	1
17			Screw, Set Socket Cup Point (#8-32 x 3/16")	1	4
16			Spacer, Shoe Wheel Lock (2-7/16")	1	2

Amputee Attachment

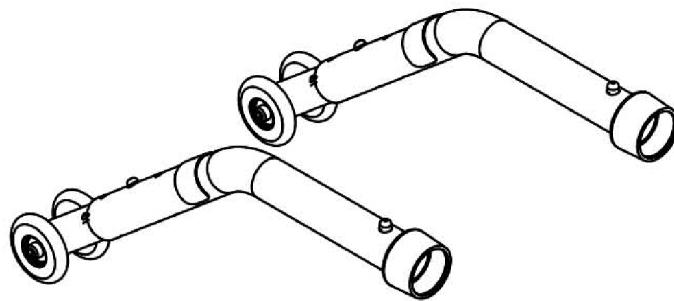
NOTE: A - Instruction sheet not shown.
B - Includes items 2-7.
C - To be used on Super Low chairs with space saver arm styles.
D - To be used on Super Low chairs with conventional arm styles.
E - Includes items 9-17 and instruction sheet.
F - Includes items 9-18 and instruction sheet.
G - Chairs with 20" or 22" rear wheels will need (2) each.
H - 9000XDT Chairs with 19" - 20" seat depth will need (2) each.
I - Includes items 16 and 17.
J - For use on Adult or Hemi chairs.

Anti-Tippers

NOTE: The 0 degree and 6 degree chair configurations became available 8/1/02. Rear anti-tippers for these configurations are not available prior 8/1/02.



Front Anti-Tippers



Rear Anti-Tippers

Anti-Tippers

NOTE: The 0 degree and 6 degree chair configurations became available 8/1/02. Rear anti-tippers for these configurations are not available prior 8/1/02.

9000SL and 9000XT

Model Number	Part Number	Description	Quantity Per Package
2226	1035967	Front Anti-Tippers	2
1360A	1058752 See Note(s) A, D	Rear Anti-Tippers	2
1360SH	1064520 See Note(s) A, E, C	Rear Anti-Tippers	2
1360	1058836 See Note(s) F, C, B	Rear Anti-Tippers	2

NOTE: A - 6" Fork and Caster.
 B - 8" Fork and Caster.
 C - Standard Seat to Floor angle for 9SL and 9XT is 3 degrees. After 8/1/02, 9XT with offset axle and adjustable journal caster options allow seat-to-floor angle to be set at 0 degrees, 3 degrees and 6 degrees.
 D - For use on Adult, Hemi and Super Hemi models.
 E - For use on Super Low models.
 F - For use on all models.

9000XDT

Model Number	Part Number	Description	Quantity Per Package
2226	1035967	Front Anti-Tippers	2
1360A	1058752 See Note(s) A	Rear Anti-Tippers	2
1360	1058836 See Note(s) B	Rear Anti-Tippers	2

NOTE: A - Adult and Hemi Chairs - 8" Fork and Caster.
 B - Tall Chairs - 8" Fork and Caster.

9000XT Recliner

Part Number	Description	Quantity Per Package
1035967	Front Anti-Tipper	2
1061109 See Note(s) A	Rear Anti-Tipper	2
1061110 See Note(s) B	Rear Anti-Tipper	2
1021767 See Note(s) C	Rear Anti-Tipper	2

NOTE: A - For use on models with 20" rear wheels.
 B - For use on models with 22" rear wheels.
 C - For use on models with 24" rear wheels.

Anti-Tippers

NOTE: The 0 degree and 6 degree chair configurations became available 8/1/02. Rear anti-tippers for these configurations are not available prior 8/1/02.

9000XT with 0 Degree Seat Angle - After 8/01/02

9000XT w/Offset Axle and Adjustable Journal Caster Options

Kit Number	Seat to Floor Height	Anti-Tipper Length	Anti-Tipper Height	Caster Size
1058752	15-1/2"	11-5/8"	2-3/4"	6"
1058836	16-1/2" - 17-1/2"	13-1/2"	3-1/2"	6"
1058836	17-1/2" - 18-1/2"	13-1/2"	3-1/2"	8"

9000SL and 9000XT with 3 Degree Seat Angle

9000XT w/Offset Axle and Adjustable Journal Caster Options

Kit Number	Seat to Floor Height	Anti-Tipper Length	Anti-Tipper Height	Caster Size
1058752 See Note(s) A	15-1/2", 16-1/2", 17-1/2"	11-5/8"	2-3/4"	6"
1058836 See Note(s) A	17-1/2", 18-1/2", 19-1/2"	13-1/2"	3-1/2"	8"

NOTE: A - Standard seat to floor angle for 9SL and 9XT is 3 degrees. After 8/1/02, 9XT with offset axle and adjustable journal caster options allow seat to floor angle to be set at 0 degrees, 3 degrees and 6 degrees.

9000XT with 6 Degree Seat Angle - After 8/1/02

9000XT w/Offset Axle and Adjustable Journal Caster Options

Kit Number	Seat to Floor Height	Anti-Tipper Length	Anti-Tipper Height	Caster Size
1113764	15-1/2"	9-1/2"	2-3/8"	6"
1113765	16-1/2", 17-1/2"	12-1/2"	2-3/4"	6"
1113766	17-1/2", 18-1/2", 19-1/2"	13-1/2"	2-7/8"	8"

Carrying Pocket, Carrying Strap, Crutch and Cane Carrier

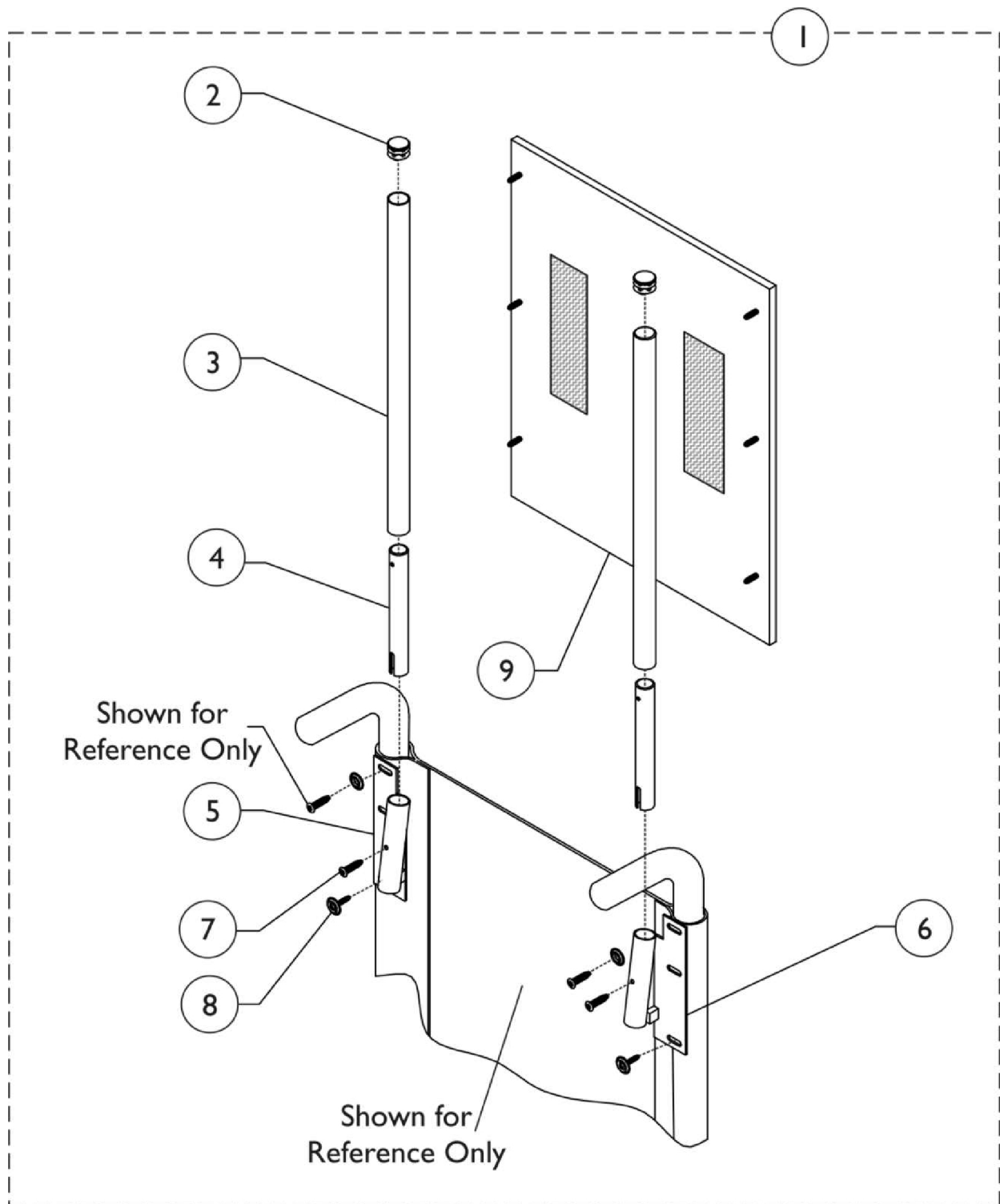
Carrying Pocket

Part Number	Description	Quantity Per Assembly
8881047954 See Note(s) B, A	Carrying Pocket, Expanded Vinyl	1
8881047957 See Note(s) C, A	Carrying Pocket, Expanded Vinyl	1
8881047960 See Note(s) D, A	Carrying Pocket, Vinyl	1
8881047956 See Note(s) B, A	Carrying Pocket, Nylon	1
8881047959 See Note(s) C, A	Carrying Pocket, Black Nylon	1
8881047962 See Note(s) D, A	Carrying Pocket, Nylon	1
8881047954 See Note(s) B, A	Carrying Pocket, Vinyl	1
8881047958-NLA See Note(s) C, A	Carrying Pocket, Non-Expanded Vinyl	1
8881047961-NLA See Note(s) D, A	Carrying Pocket, Lightweight Vinyl	1
1041784	Hardware Carrying Pocket	1
NOTE: A - Specify upholstery color, see page titled "Upholstery Color Options." B - 14-15" Wide Chairs C - 16-20" Wide Chairs D - 22" Wide Chairs		

Carrying Strap and Crutch & Cane Carrier

Part Number	Description	Quantity Per Assembly
8881025300 See Note(s) A	Carrying Strap	1
1034204	Crutch & Cane Carrier	1
NOTE: A - Specify upholstery color, see page titled "Upholstery Color Options".		

Headrest Extension Non-Recliner Chairs



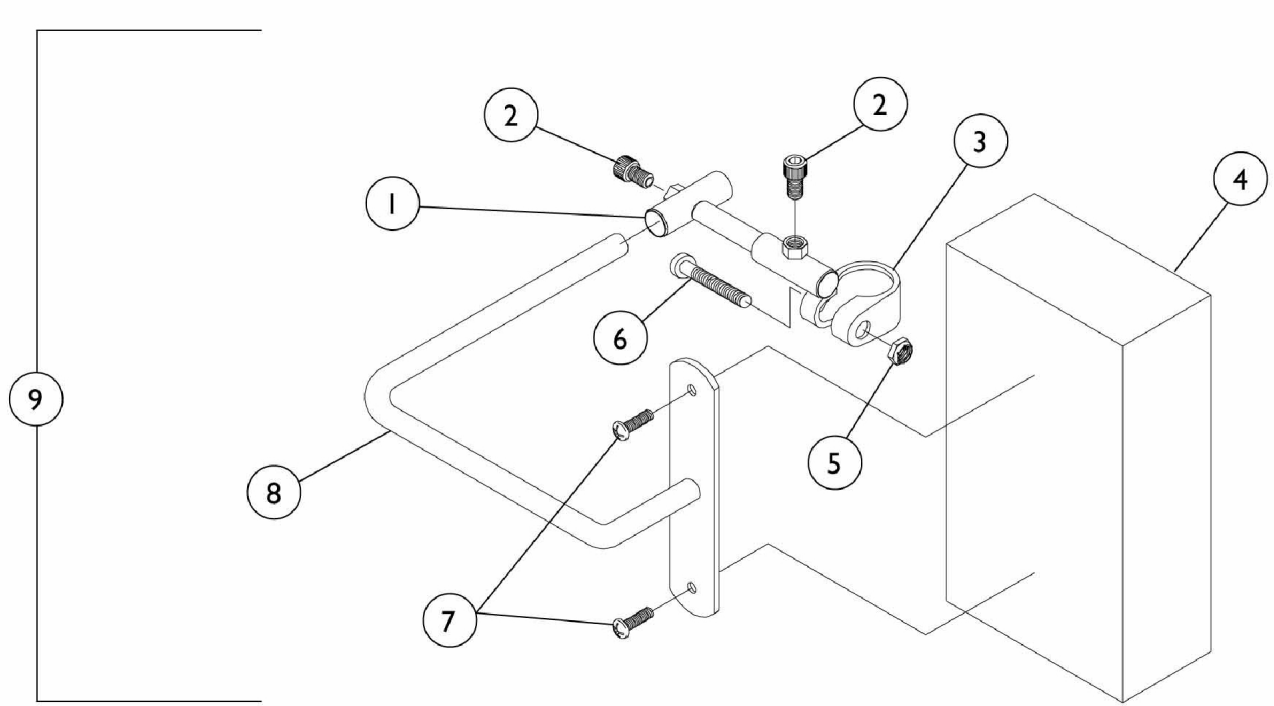
Headrest Extension Non-Recliner Chairs

Item Number	Note	Part Number	Description	Quantity Per	
				Package	Assembly
1	A,B	8881050181	Headrest Extension Assembly, Vinyl (14" W)	1	1
1	A,B	8881050182	Headrest Extension Assembly, Vinyl (15" W)	1	1
1	A,B	8881050183	Headrest Extension Assembly, Vinyl (16" W)	1	1
1	A,B	8881091224	Headrest Extension Assembly, Vinyl (16-1/2" W)	1	1
1	A,B	8881050184	Headrest Extension Assembly, Vinyl (17" W)	1	1
1	A,B	8881050185	Headrest Extension Assembly, Vinyl (18" W)	1	1
1	A,B	8881050186	Headrest Extension Assembly, Vinyl (19" W)	1	1
1	A,B	8881050187	Headrest Extension Assembly, Vinyl (20" W)	1	1
1	A,B	8881050188	Headrest Extension Assembly, Vinyl (22" W)	1	1
1	B	8881052776	Headrest Extension Assembly, Nylon (14" W)	1	1
1	B	8881052777	Headrest Extension Assembly, Nylon (15" W)	1	1
1	B	8881052778	Headrest Extension Assembly, Nylon (16" W)	1	1
1	B	8881052779	Headrest Extension Assembly, Nylon (17" W)	1	1
1	B	8881052780	Headrest Extension Assembly, Nylon (18" W)	1	1
1	B	8881052781	Headrest Extension Assembly, Nylon (19" W)	1	1
1	B	8881052782	Headrest Extension Assembly, Nylon (20" W)	1	1
2		1027095	Plug Button, Black (7/8")	1	2
3	C	01058X000-NLA	Headrest Extension Tube	1	2
3	D	1054604	Tube, Headrest Extension	1	2
4		48811X003	Tube, Insert	1	2
5		1028753	Bracket, Headrest, Black - Left	1	1
6		1028752	Bracket, Headrest, Black - Right	1	1
7		40163X013	Screw, Phillips Pan Head Tap (#10-32 x 1/2")	1	2
8		1076283	Screw, Phillips Oval Head w/ Washer (#10-16 x 7/8")	1	2
9	A	8881054633	Upholstery, Headrest, Vinyl (14" W)	1	1
9	A	8881054634	Upholstery, Headrest, Vinyl (15" W)	1	1
9	A	8881054638	Upholstery, Headrest, Vinyl (16" W)	1	1
9	A	8881054635	Upholstery, Headrest, Vinyl (17" W)	1	1
9	A	8881054637	Upholstery, Headrest, Vinyl (18" W)	1	1
9	A	8881054636	Upholstery, Headrest, Vinyl (19" W)	1	1
9	A	8881054639	Upholstery, Headrest, Vinyl (20" W)	1	1
9	A	8881054640	Upholstery, Headrest, Vinyl (22" W)	1	1
9		8881052586	Upholstery, Headrest, Nylon (14" W)	1	1
9		8881052587	Upholstery, Headrest, Nylon (15" W)	1	1
9		8881052588	Upholstery, Headrest, Nylon (16" W)	1	1
9		8881091223	Upholstery, Headrest, Vinyl (16-1/2" W)	1	1
9		8881052589	Upholstery, Headrest, Nylon (17" W)	1	1
9		8881052590	Upholstery, Headrest, Nylon (18" W)	1	1
9		8881052591	Upholstery, Headrest, Nylon (19" W)	1	1
9		8881052592	Upholstery, Headrest, Nylon (20" W)	1	1
	E	1098351	Instruction Sheet	1	1
	C,E	47447X009	Screw, Phillips (#8 x 3/8")	1	6

Headrest Extension Non-Recliner Chairs

NOTE: A - Specify upholstery color when ordering, see category titled, "Upholstery Color Options."
B - Includes items 2-9.
C - For use on a Headrest Extension Tube with snap fasteners (Before 6/95).
D - For use on a Headrest Extension Tube without snap fasteners (After 5/95).
E - Not Shown.

Head Support

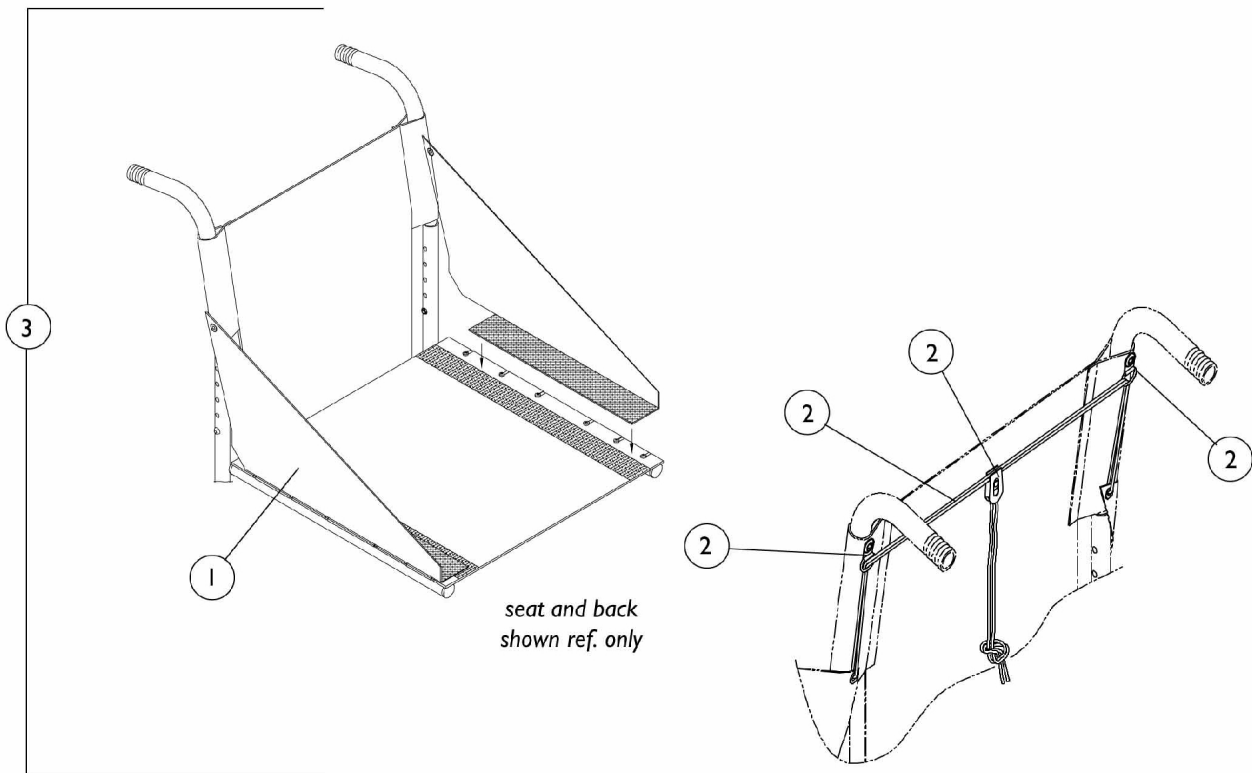


Head Support

Item Number	Note	Part Number	Description	Quantity Per	
				Package	Assembly
1		03018X042	Wing Bracket Assembly, Chrome	1	1
2		60284X001	Screw, Socket Head (1/4-20 x 1/2")	1	1
3		03018X043	Bracket, Clamp, Chrome - Right	1	1
3		03018X046	Bracket, Clamp, Chrome - Left	1	1
4	A	8881123986	Pad, Headrest	1	1
5		60264X001	Locknut (5/16-24)	1	1
6		11232X009	Bolt, Lug (5/16-24 x 1-3/8")	1	1
7		40163X008	Screw, Phillips Pan Head (#10-32 x 11/16")	1	1
8	B	03018X045	Bracket, Pad Support, Chrome	1	1
8	C	03018X044	Bracket, Pad Support, Chrome	1	1
9	A,B	8881050191	Head Support Assembly (Pair)	1	1
9	A,C	8881050192	Head Support Assembly (Pair)	1	1
	D	1023610	Instruction Sheet	1	1
NOTE: A - Specify upholstery color when ordering, see category titled, "Upholstery Color Options." B - Non-Recliner C - Recliner D - Not Shown					

Fabric Clothing Protector

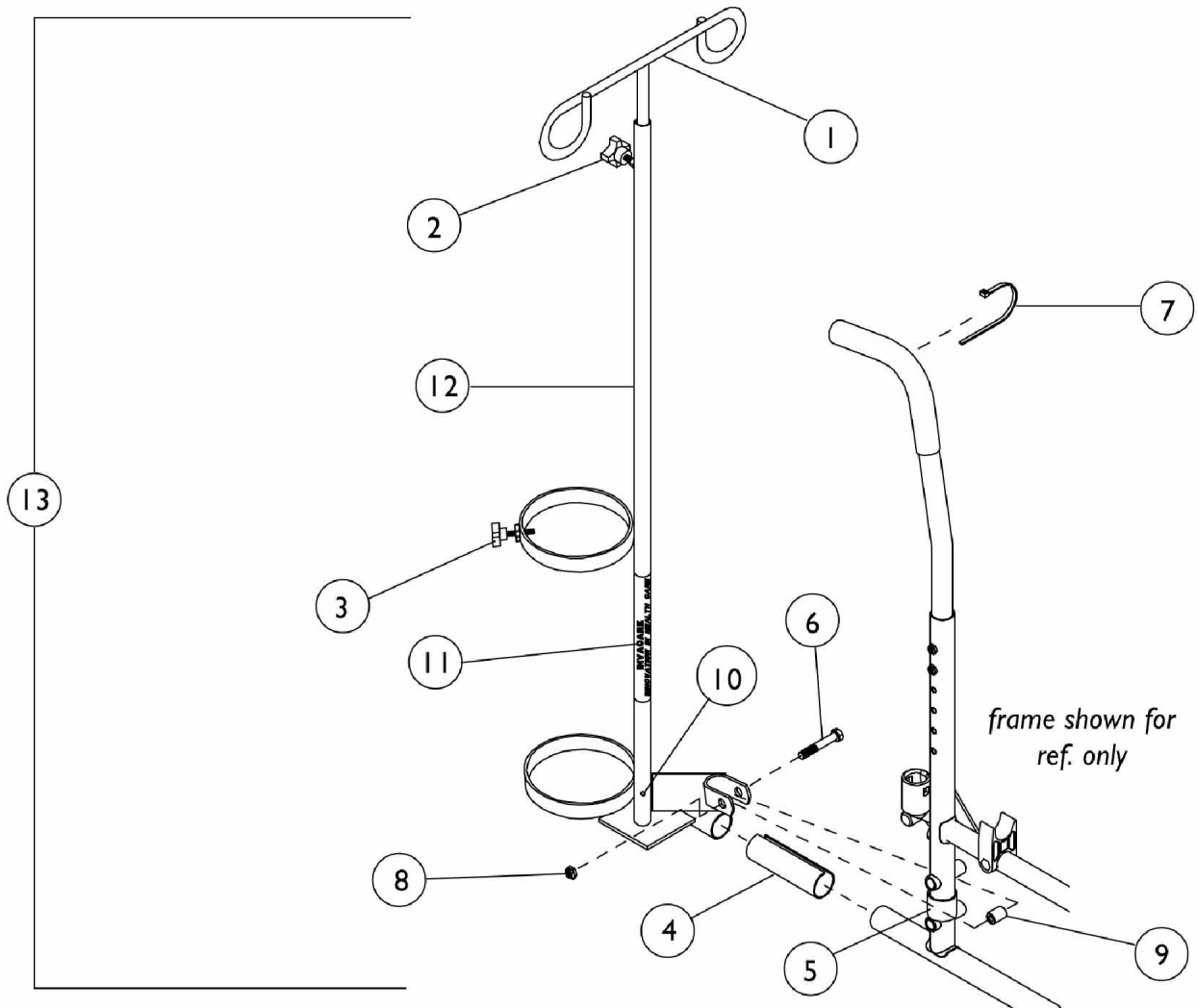
9000XT Only



Fabric Clothing Protector 9000XT Only

Item Number	Note	Part Number	Description	Quantity Per	
				Package	Assembly
1	A	1017447	Protector, Fabric Clothing	1	2
1	B	1057388	Protector, Fabric Clothing (Pair)	1	2
2	C,D	1054770	Kit, Clothing Protector Hardware	1	1
3		1035976	Protector, Fabric Clothing with Hardware (Pair)	1	1
NOTE: A - Before 4/95 B - After 3/95 C - Due to a design change, and Clothing Gaurd hardware needed for chairs built before 2/95 will need to order kit number 1054770 so that the chair can be upgraded to the current design. Previous hardware is NLA. D - Kit includes Cord, Cord Lock, and 2 "D" Rings					

I.V./ Oxygen Holder

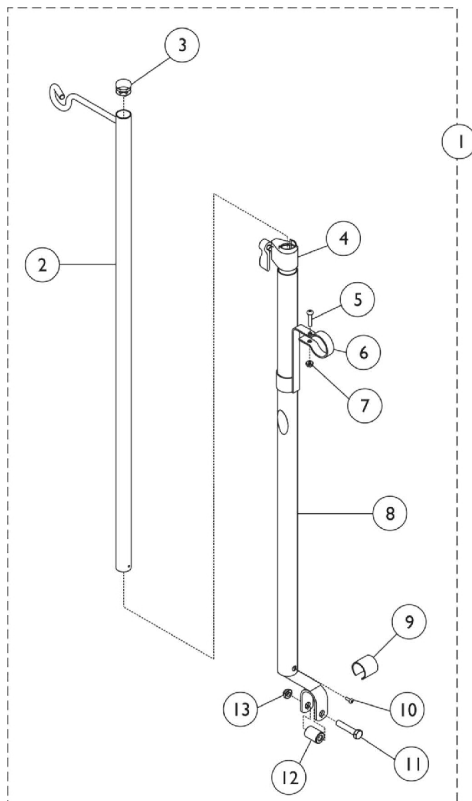


I.V./ Oxygen Holder

Item Number	Note	Part Number	Description	Quantity Per	
				Package	Assembly
1		1027468	Rod, I.V.	1	1
2		1027683	Knob, Adjustment, Black	1	1
3		1027684	Knob, Clamping, Black	1	1
4		1023560	Tube, Insert Guide (3-3/4")	1	1
5		1023618	Tube, Guide, Black	1	1
6		11239X000	Screw, Hex Head (5/16-24 x 1-3/4")	1	1
7		98007X005	Tie Wrap (11-1/2" L)	1	1
8		7930363	Package, Locknut (5/16"-24)	25	1
9		1017843	Spacer, Chrome (5/16 x 11/16 x 15/16")	1	1
9		1102577	Spacer (5/16 x 11/16 x 15/16")	1	1
10		1027789	Pin, Roll	1	1
11		1095497	Decal, Invacare Logo (1.6)	1	1
12	A	1070898	Base, I.V./Oxygen	1	1
13	A,B	1070899	Holder, I.V./Oxygen	1	1
	C	1027931	Instruction Sheet, I.V./Oxygen Holder	1	1

NOTE: A - For use on 9000SL/XT and XDT models.
 B - Includes items 2-12.
 C - Not Shown.

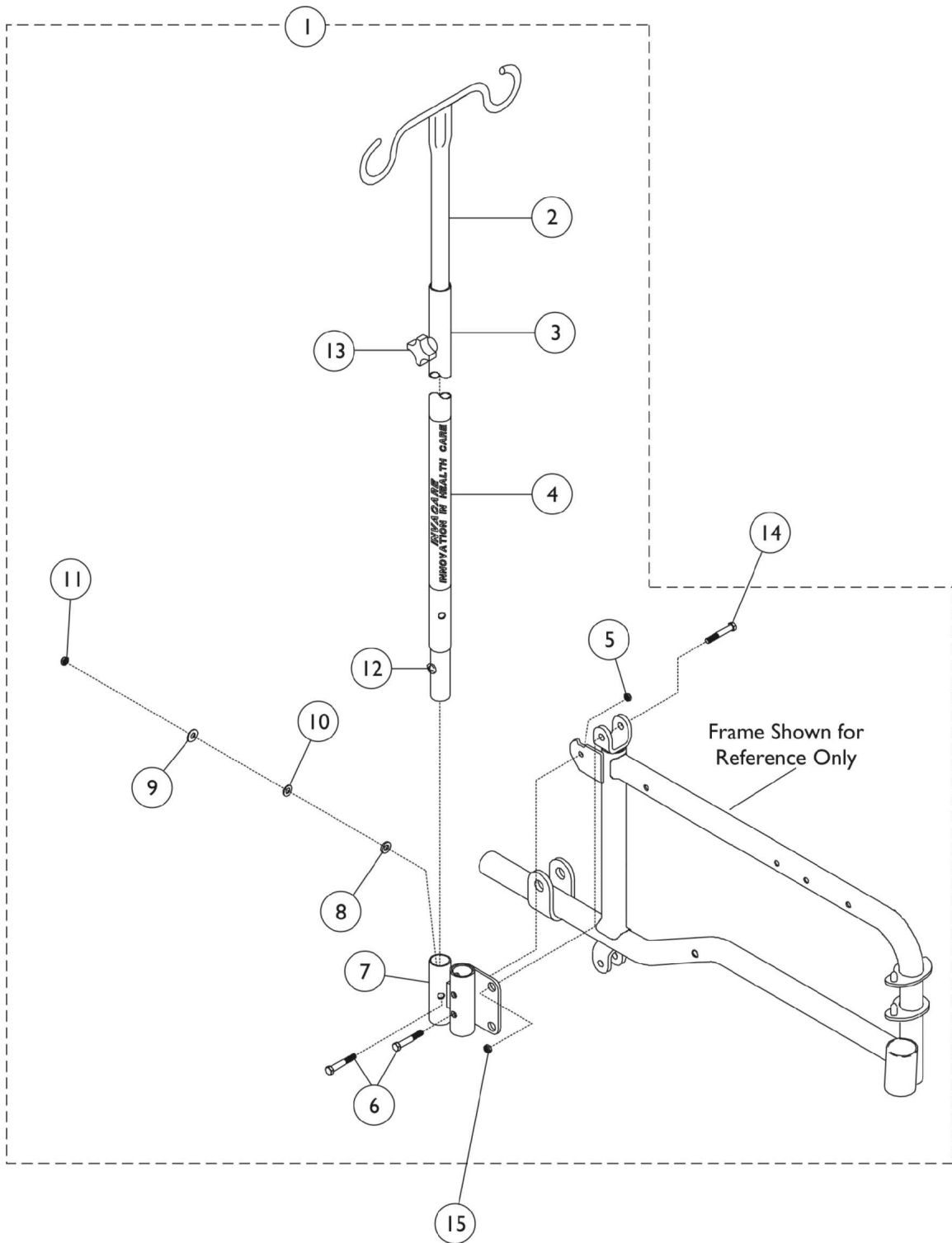
I.V. Rod and Bracket (2218) - Non-Recliner



Item Number	Note	Part Number	Description	Quantity Per	
				Package	Assembly
1	A	1101760	Rod, I.V., Telescoping (Model 2218)	1	1
2		1017623	Socket, I.V.	1	1
3		1027095	Plug Button, Black (7/8")	1	1
4		12592X000	Adjustment Lock Assembly, Chrome	1	1
5		16718X000	Screw, Phillips Pan Head (#10-32 x 7/8")	1	1
6		1020082	Bracket, Mounting, Chrome	1	1
7		60279X003	Locknut (#10-32)	1	1
8		1017623	Socket, I.V.	1	1
9		1023618	Tube, Guide, Black	1	1
10		21243X000	Screw, Phillips Pan Head (#6-20 x 3/8")	1	1
11		11239X001	Screw, Hex Head (5/16-24 x 1-1/2")	1	1
12		1017843	Spacer, Chrome (5/16 x 11/16 x 15/16")	1	1
13		60264X001	Locknut (5/16-24)	1	1
	B	1114827	Instruction Sheet	1	1

NOTE: A - Includes items 2-13 and instruction sheet.
B - Not shown.

I.V. Rod - Recliner

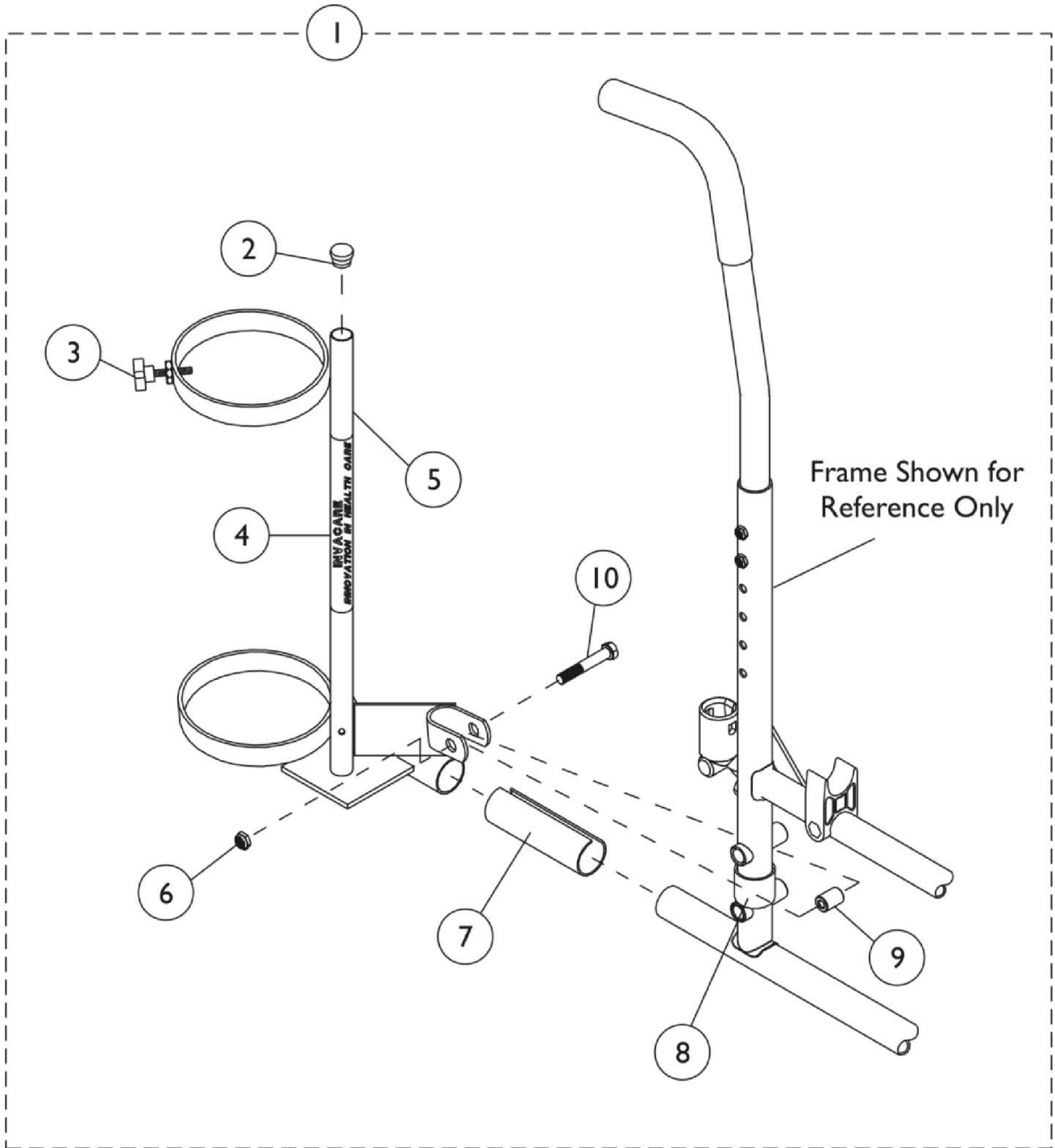


I.V. Rod - Recliner

Item Number	Note	Part Number	Description	Quantity Per	
				Package	Assembly
1	A	1074656	Rod, I.V., Recliner	1	1
2		04701X041	Rod, I.V., Recliner	1	1
3		1076521	Tube, Support, I.V. Rod	1	1
4		1095497	Decal, Invacare Logo (1.6)	1	1
5		1107321	Nut, Low Cap (5/16"-24)	1	1
6		16720X004	Screw, Hex Head (1/4-20 x 1-1/2")	2	2
7		1074652	Holder, I.V. Rod	1	1
8		40157X004	Spacer, Nylon (1/4 x 7/16 x 1/8")	1	1
9		16348X009	Washer, Steel (3/16 x 9/16 x 1/16")	1	1
10		1010398	Washer, Nylon (1/4 x 1/2 x 1/16")	1	1
11		1008882	Locknut (1/4-20)	1	1
12		1080029	Screw, Phillips Pan Head (6-32 x 3/16")	1	1
13		1027683	Knob, Adjustment, Black	1	1
14		B	60275X000	Locknut (1/4-20)	1
15	1044762		Bolt, Pivot (5/16-24 x 1-7/8")	1	1
	1029377		Instruction Sheet	1	1

NOTE: A - Includes items 2-13 and an instruction sheet.
 B - Not Shown

Oxygen Holder - 1497



Oxygen Holder - 1497

Item Number	Note	Part Number	Description	Quantity Per	
				Package	Assembly
1	A	1497	Holder, Oxygen, Black	1	1
2		1017672	Plug Button, Grey (1/2")	1	1
3		1027684	Knob, Clamping, Black	1	1
4		1095497	Decal, Invacare Logo (1.6)	1	1
5		1070900-NLA	Base, Oxygen Holder	1	1
6		7930363	Package, Locknut (5/16"-24)	25	1
7		1023618	Tube, Guide, Black	1	1
8		1023560	Tube, Insert Guide (3-3/4")	1	1
9		1017843	Spacer, Chrome (5/16 x 11/16 x 15/16")	1	1
10	B	11239X000	Screw, Hex Head (5/16-24 x 1-3/4")	1	1
		1027930	Instruction Sheet, Oxygen Holder	1	1

NOTE: A - Includes items 2-10 and instruction sheet.
B - Not Shown.

Lumbar Cushion with Hook Straps and Non-Folding Device

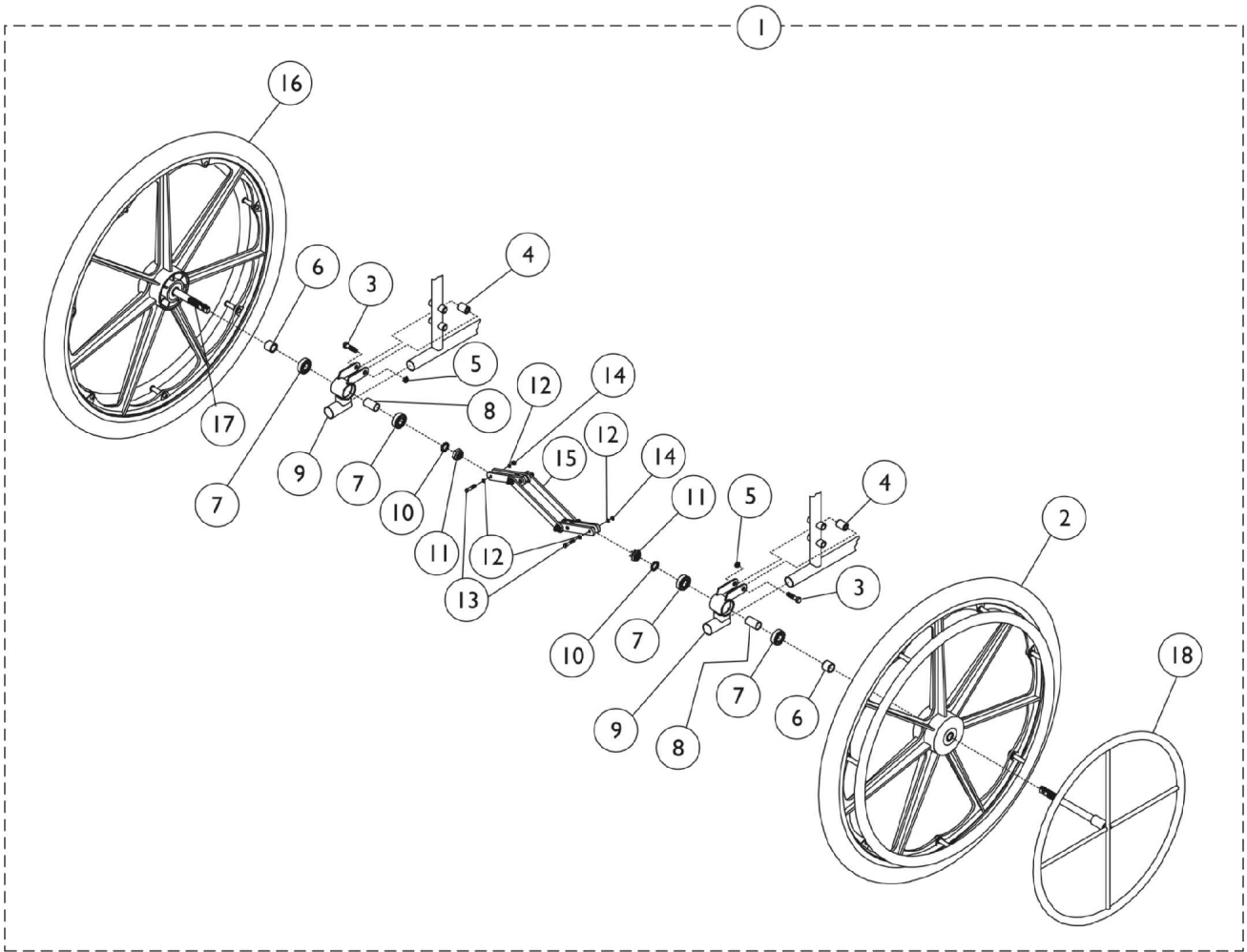
Lumbar Cushion with Hook Straps

Part Number	Description	Quantity Per Assembly
88808017X001 See Note(s) B, A	Lumbar Cushion (1" W)	1
88808017X002 See Note(s) B, A	Lumbar Cushion (2" W)	1
NOTE: A - Loop straps found on back upholstery. B - Specify upholstery color when ordering, see category titled, "Upholstery Color Option."		

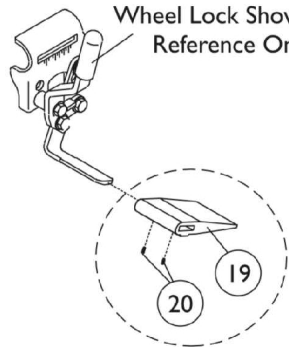
Non-Folding Device

Part Number	Description	Quantity Per Assembly
1034205	Non-Folding Device 14-20"	1

One Arm Drive - 9000XT, 9000XDT



Wheel Lock Shown for Reference Only



One Arm Drive - 9000XT, 9000XDT

Item Number	Note	Part Number	Description	Quantity Per	
				Package	Assembly
1	A	See Chart	9000XT/XDT Chairs - Adult	1	1
1	A	See Chart	9000XT/XDT Chairs - Hemi	1	1
1	A	See Chart	9000XT/XDT Chairs - Tall	1	1
2		1016420	Wheel Assembly w/ Aluminum Handrim, Mag, Pneumatic (24")	1	1
2		1036190	Wheel Assembly w/ Chrome Handrim, Composite, Pneumatic Mag (24")	1	1
2	B	1065610-NLA	Wheel Assembly w/ Handrim, Composite, Urethane (25")	1	1
2	C	1080385-NLA	Wheel, Composite with Handrim - Urethane Tire (24" x 1")	1	1
2	C	1091816	Wheel Assembly, Composite, Urethane (24")	1	1
2	C	1080383	Wheel Assembly, Composite, Urethane (24")	1	1
2	D	1066419	Wheel Assembly w/ Aluminum Handrim, Composite, Pneumatic w/ Heavy Duty Flat Free Insert (24")	1	1
3		11239X001	Screw, Hex Head (5/16-24 x 1-1/2")	1	2
4		1017843	Spacer, Chrome (5/16 x 11/16 x 15/16")	1	2
5		1107321	Nut, Low Cap (5/16"-24)	1	2
6		47183X021	Spacer (5/8 x 7/8 x 3/4")	1	2
7		40117X006	Bearing (5/8")	1	4
8		1067747	Spacer, Bearing (5/8 x 3/4 x 1-3/64")	1	2
9	E	1058694	Bracket, One Arm Drive, Chrome	1	2
9	F	1058695	Bracket, One Arm Drive, Chrome	1	2
9	G	1065513	Bracket, One Arm Drive, Chrome	1	2
10		48323X013	Washer (5/8 x 7/8 x 1/8")	1	2
11		60030X000	Locknut (5/8-18)	1	2
12		40157X000	Washer, Steel (11/32 x 5/8 x 3/64")	1	4
13		1019101	Screw, Hex Head (1/4-28 x 1-1/2")	1	2
14		60320X000	Locknut (1/4-28)	1	2
15		1019105	Scissor Assembly (14 - 15" W)	1	1
15		1019104	Scissor Assembly (16 - 17" W)	1	1
15		1019106	Scissor Assembly (18 - 19" W)	1	1
15		1048655	Scissor Assembly (20" W)	1	1
15		1019103	Scissor Assembly (20 - 22" W)	1	1
16		1025397	Wheel, Composite Pneumatic with Drive Axle	1	1
16		1042075	Wheel, Composite Pneumatic w/ Flat Free Insert and Drive Axle	1	1
16		1091817	Wheel, Urethane w/ Drive Axle	1	1
16	D	1066418	Wheel, Composite w/ Drive Axle, Pneumatic Tire w/ Heavy Duty Flat Free	1	1
17		1028609	Drive, Axle	1	1
18		1020454	Handrim, Dual Drive	1	1
19		1016980	Spacer, Wheel Lock Shoe (2-63/64")	1	1
20		1008438	Screw, Set Socket Cup Point (#8-32 x 3/16")	1	4
	H	1023334	Instruction Sheet	1	1

One Arm Drive - 9000XT, 9000XDT

NOTE: A - Includes items 2-18 and an instruction sheet.
 B - Before 11/20/98.
 C - After 11/19/98
 D - For use on 9000XDT chair.
 E - For use on 9000XDT Tall chairs and 9000XT Adult chairs with Pneumatic, Pneumatic with Flat Free Inserts and Urethane Tires.
 F - For use on 9000XDT Adult chairs with Pneumatic with Flat Free Inserts and Urethane Tires and 9000XT Hemi chairs with Pneumatic, Pneumatic with Flat Free Inserts and Urethane tires.
 G - For use on 9000XDT Hemi chairs with Pneumatic with Flat Free Inserts and Urethane Tires.
 H - Not shown.

Adult

Chair Width	Side	Pneumatic Tires 9000XT	Pneumatic with Flat Free 9000XT	Pneumatic with Flat Free 9000XDT	Urethane Tires 9000XT	Urethane Tires 9000XDT
14-15"	Right	1058716	1058696	--	1099553	--
14-15"	Left	1058717	1058697	--	1099554	--
16-17"	Right	1058718	1058698	1066428	1099555	1099565
16-17"	Left	1058719	1058699	1066429	1099556	1099566
18-19"	Right	1058720	1058700	1066430	1099557	1099567
18-19"	Left	1058721	1058701	1066431	1099558	1099568
20"	Right	1058722	1058702	1066432	1099559	1099569
20"	Left	1058723	1058703	1066433	1099560	1099570
22"	Right	1058724	1058704	1066434	1099561	1099571
22"	Left	1058725	1058705	1066435	1099562	1099572

One Arm Drive - 9000XT, 9000XDT

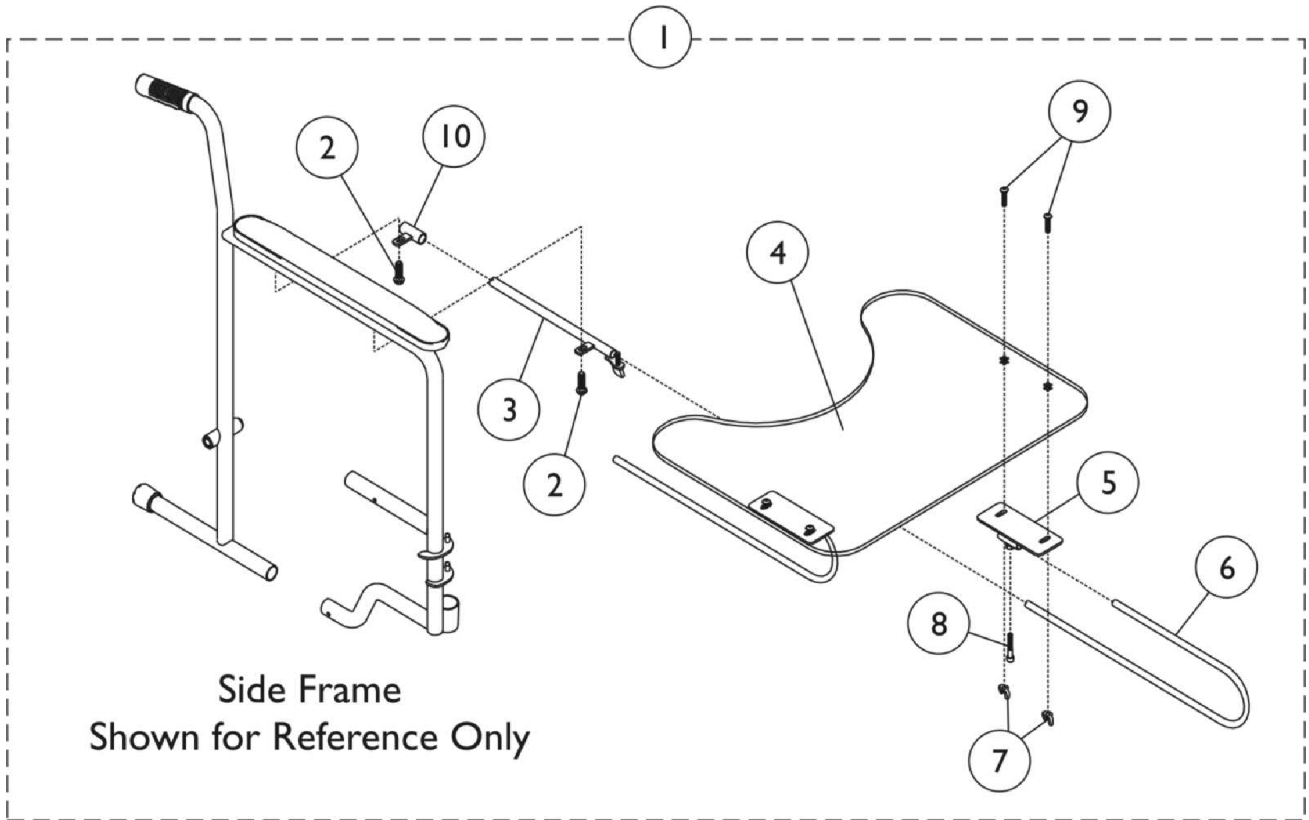
Hemi

Chair Width	Side	Pneumatic Tires 9000XT	Pneumatic with Flat Free 9000XT	Pneumatic with Flat Free 9000XDT	Urethane Tires 9000XT	Urethane Tires 9000XDT
14-15"	Right	1058726	1058706	--	1099563	--
14-15"	Left	1058727	1058707	--	1099564	--
16-17"	Right	1058728	1058708	1065516	1099565	1065559
16-17"	Left	1058729	1058709	1065517	1099566	1065560
18-19"	Right	1058730	1058710	1065520	1099567	1065561
18-19"	Left	1058731	1058711	1065521	1099568	1065562
20"	Right	1058732	1058712	1065524	1099569	1065563
20"	Left	1058733	1058713	1065525	1099570	1065564
22"	Right	1058734	1058714	1065528	1099571	1065565
22"	Left	1058735	1058715	1065529	1099572	1065566

Tall

Chair Width	Side	Pneumatic with Flat Free 9000XDT	Urethane Tires 9000XDT
16-17"	Right	1066420	1099555
16-17"	Left	1066421	1099556
18-19"	Right	1066422	1099557
18-19"	Left	1066423	1099558
20"	Right	1066424	1099559
20"	Left	1066425	1099560
22"	Right	1066426	1099561
22"	Left	1066427	1099562

Utility Tray



Utility Tray

Item Number	Note	Part Number	Description	Quantity Per	
				Package	Assembly
1	A	1035965	Tray, Utility, Full Length Arm	1	1
1	A	1035966	Tray, Utility, Desk Length Arm	1	1
2		11008X011	Screw, Phillips Round Head (#10-32 x 1-3/8")	1	2
3		04570X009	Tube, Slide Lock, Full Length Arm - Right	1	1
3		04570X010	Tube, Slide Lock, Full Length Arm - Left	1	1
3		04570X011	Tube, Slide Lock, Desk Length Arm - Right	1	1
3		04570X012	Tube, Slide Lock, Desk Length Arm - Left	1	1
4		47469X006	Tray	1	1
5		1009341	Bracket, Tray	1	2
6		1010922	Tube, Support	1	2
7		20148X004	Nut, Wing (1/4-20)	1	4
8		60284X001	Screw, Socket Head (1/4-20 x 1/2")	1	2
9		10123X006	Bolt, Carriage (1/4-20 x 3/4")	1	4
10		04570X002	Tube, Support, Slide, Chrome	1	2
	B	1023704	Instruction Sheet	1	1

NOTE: A - Includes items 2-9 and an instruction sheet.
B - Not Shown.

Seat Positioning Straps, Tire Pumps, and Transfer Board

Seat Positioning Straps

Part Number	Description	Quantity Per Assembly
1102008 See Note(s) A	Airline Style Buckle	1
1034752 See Note(s) B	Airline Style Buckle	1
1004310 See Note(s) A	Auto Style Buckle	1
1034625 See Note(s) B	Auto Style Buckle	1
1034744 See Note(s) A	Hook & Loop Style Buckle	1
1034745 See Note(s) B	Hook & Loop Style Buckle	1
NOTE: A - 14-19" W Chairs B - 20-22" W Chairs		

Tire Pumps

Part Number	Description	Quantity Per Assembly
40176X010	Tire Pump	1

Transfer Board

Part Number	Description	Quantity Per Assembly
1034216	Transfer Board	1

Solid Back Insert and Back Pack

NOTE: Solid Back Inserts are 2" narrower than actual chair width.

Back Pack

Part Number	Description	Quantity Per Assembly
1109322	Back Pack, Small (14") 11" W x 13" H x 4" D	1
1109323	Back Pack, Large (15-22") 11" W x 13" H x 4" D	1

Solid Back Insert

Chair Width x Height	Nylon	Vinyl	Lightweight Vinyl
14 x 16"	8881052671 <small>See Note(s) A</small>	8881034766 <small>See Note(s) A</small>	8881052649 <small>See Note(s) A</small>
14 x 18"	8881052672 <small>See Note(s) A</small>	8881052663 <small>See Note(s) A</small>	8881052650 <small>See Note(s) A</small>
14 x 22" Recliner	8881034225 <small>See Note(s) A</small>	8881034225 <small>See Note(s) A</small>	8881034225 <small>See Note(s) A</small>
15 x 16"	8881052673 <small>See Note(s) A</small>	8881052664 <small>See Note(s) A</small>	8881052651 <small>See Note(s) A</small>
15 x 18"	8881052674 <small>See Note(s) A</small>	8881052665 <small>See Note(s) A</small>	8881052652 <small>See Note(s) A</small>
16 x 16"	8881052675 <small>See Note(s) A</small>	8881034767 <small>See Note(s) A</small>	8881052653 <small>See Note(s) A</small>
16 x 18"	8881052676 <small>See Note(s) A</small>	8881034771 <small>See Note(s) A</small>	8881052654 <small>See Note(s) A</small>
16 x 22" Recliner	8881035962 <small>See Note(s) A</small>	8881035962 <small>See Note(s) A</small>	8881035962 <small>See Note(s) A</small>
17 x 16"	8881052677 <small>See Note(s) A</small>	8881052666 <small>See Note(s) A</small>	8881052655 <small>See Note(s) A</small>
17 x 18"	8881052678 <small>See Note(s) A</small>	8881052667 <small>See Note(s) A</small>	8881052656 <small>See Note(s) A</small>
18 x 16"	8881052679 <small>See Note(s) A</small>	8881034768 <small>See Note(s) A</small>	8881052657 <small>See Note(s) A</small>
18 x 18"	8881052680 <small>See Note(s) A</small>	8881034772 <small>See Note(s) A</small>	8881052658 <small>See Note(s) A</small>
18 x 22" Recliner	8881035963 <small>See Note(s) A</small>	8881035963 <small>See Note(s) A</small>	8881035963 <small>See Note(s) A</small>
19 x 16"	8881052681 <small>See Note(s) A</small>	8881052668 <small>See Note(s) A</small>	8881052659 <small>See Note(s) A</small>
19 x 18"	8881052682 <small>See Note(s) A</small>	8881052669 <small>See Note(s) A</small>	8881052660 <small>See Note(s) A</small>
20 x 16"	8881052683 <small>See Note(s) A</small>	8881034769 <small>See Note(s) A</small>	8881052661 <small>See Note(s) A</small>

Solid Back Insert and Back Pack

NOTE: Solid Back Inserts are 2" narrower than actual chair width.

Solid Back Insert

Chair Width x Height	Nylon	Vinyl	Lightweight Vinyl
20 x 18"	8881052684 See Note(s) A	8881052670 See Note(s) A	8881052662 See Note(s) A
22 x 16"	8881063109 See Note(s) A	8881034770 See Note(s) A	N/A
22 x 18"	8881063110 See Note(s) A	8881063111 See Note(s) A	N/A

NOTE: A - Specify upholstery color when ordering, see category titled, "Upholstery Color Options."

Solid Seat Insert and Seat Pouch

Seat Pouch

Part Number	Description	Quantity Per Assembly
1109324	Seat Pouch 8-1/2" W x 7" H x 4" D	1

Solid Seat Insert

Chair Width x Height	Nylon	Vinyl	Lightweight Vinyl
14 x 16"	8881052557 See Note(s) A	8881034646 See Note(s) A	8881052536 See Note(s) A
14 x 17"	8881052558 See Note(s) A	8881034655 See Note(s) A	8881052537 See Note(s) A
14 x 18"	8881052559 See Note(s) A	8881034664 See Note(s) A	8881052538 See Note(s) A
15 x 16"	8881052560 See Note(s) A	8881034647 See Note(s) A	8881052539 See Note(s) A
15 x 17"	8881052561 See Note(s) A	8881034656 See Note(s) A	8881052540 See Note(s) A
15 x 18"	8881052562 See Note(s) A	8881034665 See Note(s) A	8881052541 See Note(s) A
16 x 16"	8881052563 See Note(s) A	8881034648 See Note(s) A	8881052542 See Note(s) A
16 x 17"	8881052564 See Note(s) A	8881034657 See Note(s) A	8881052543-NLA See Note(s) A
16 x 18"	8881052565 See Note(s) A	8881034666 See Note(s) A	8881052544-NLA See Note(s) A
16 x 19"	8881034675 See Note(s) A	8881034675 See Note(s) A	N/A
16 x 20"	8881034684 See Note(s) A	8881034684 See Note(s) A	N/A
17 x 16"	8881052566 See Note(s) A	8881034649 See Note(s) A	8881052545-NLA See Note(s) A
17 x 17"	8881052567 See Note(s) A	8881034658 See Note(s) A	8881052546 See Note(s) A
17 x 18"	8881052568 See Note(s) A	8881034667 See Note(s) A	8881052547 See Note(s) A
18 x 16"	8881052569 See Note(s) A	8881034650 See Note(s) A	8881052548 See Note(s) A
18 x 17"	8881052570 See Note(s) A	8881034659 See Note(s) A	8881052549-NLA See Note(s) A
18 x 18"	8881052571 See Note(s) A	8881034668 See Note(s) A	8881052550 See Note(s) A
18 x 19"	8881034677 See Note(s) A	8881034677 See Note(s) A	N/A

Solid Seat Insert and Seat Pouch

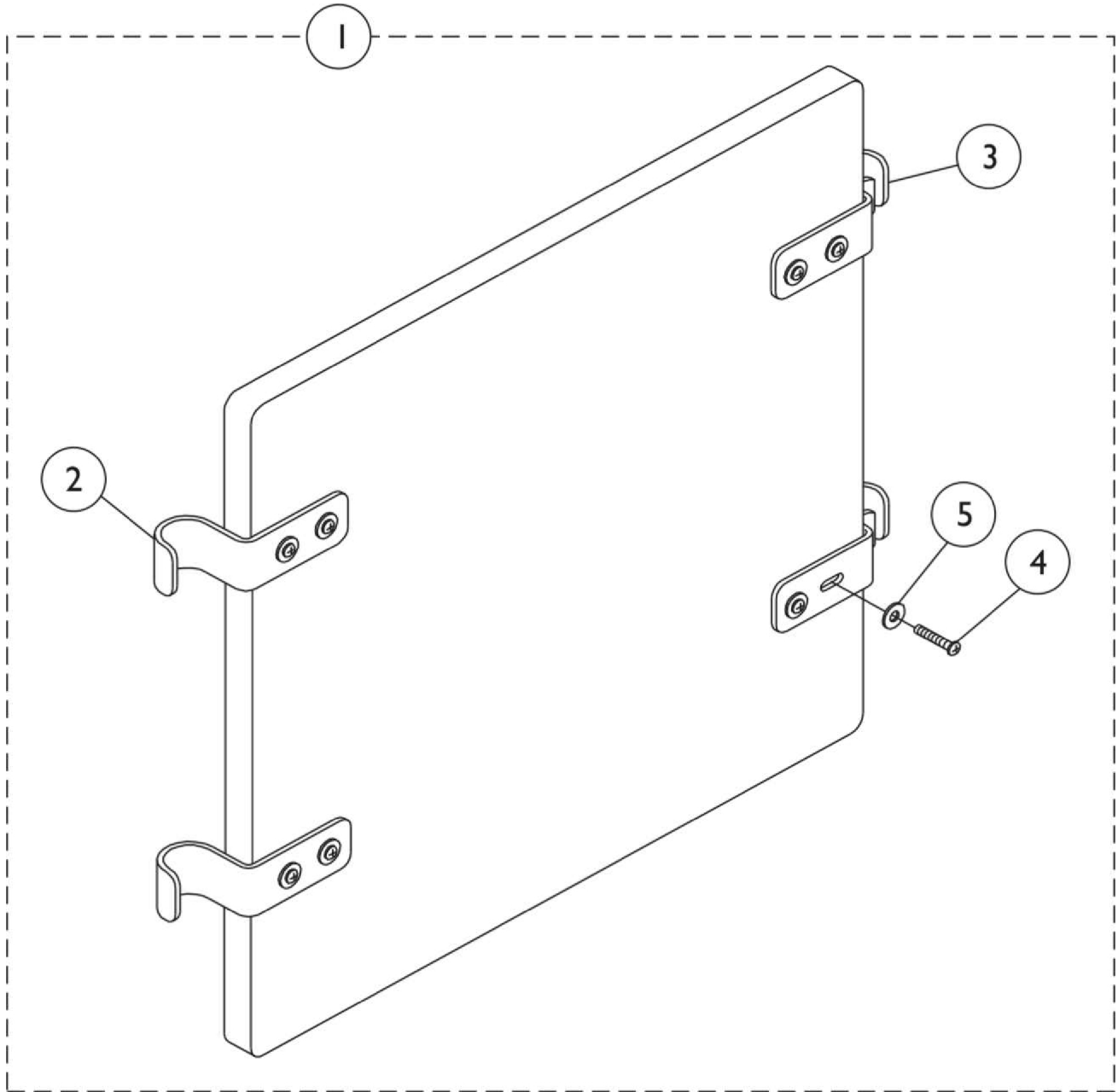
Solid Seat Insert

Chair Width x Height	Nylon	Vinyl	Lightweight Vinyl
18 x 20"	8881034686 See Note(s) A	8881034686 See Note(s) A	N/A
19 x 16"	8881052572 See Note(s) A	8881034651 See Note(s) A	8881052551 See Note(s) A
19 x 17"	8881052573 See Note(s) A	8881034660 See Note(s) A	8881052552 See Note(s) A
19 x 18"	8881052574 See Note(s) A	8881034669 See Note(s) A	8881052553 See Note(s) A
20 x 16"	8881052575 See Note(s) A	8881034652 See Note(s) A	8881052554 See Note(s) A
20 x 17"	8881052576 See Note(s) A	8881034661 See Note(s) A	8881052555 See Note(s) A
20 x 18"	8881052577 See Note(s) A	8881034670 See Note(s) A	8881052556 See Note(s) A
22 x 16"	8881058210 See Note(s) A	8881034654 See Note(s) A	N/A
22 x 17"	8881058212 See Note(s) A	8881034663 See Note(s) A	N/A
22 x 18"	8881058211 See Note(s) A	8881034672 See Note(s) A	N/A

NOTE: A - Specify upholstery color when ordering, see category titled, "Upholstery Color Options."

Drop Hook Solid Folding Seats

NOTE: Solid Folding Seats are 2" narrower than actual chair width and are not available on chairs over 20" wide.



Drop Hook Solid Folding Seats

NOTE: Solid Folding Seats are 2" narrower than actual chair width and are not available on chairs over 20" wide.

Item Number	Note	Part Number	Description	Quantity Per	
				Package	Assembly
1	A,B	See Chart	Solid Folding Seats - 9000XDT	1	1
1	A,B	See Chart	Solid Folding Seats - 9000XT / Recliner	1	1
2		1023986	Hook, Seat	1	2
3		1023985	Bracket, Hinge, Seat	1	2
4		40163X008	Screw, Phillips Pan Head (#10-32 x 11/16")	1	8
5		1013218	Washer (#10 Flat)	1	8
	C,D	1035940-NLA	Solid Folding Seat with Hardware (14" W x 16" D)	1	1
	C,D	1035941-NLA	Solid Folding Seat with Hardware (14" W x 17" D)	1	1
	C,D	1035942-NLA	Solid Folding Seat with Hardware (14" W x 18" D)	1	1
	C,D	1035943-NLA	Solid Folding Seat with Hardware (16" W x 16" D)	1	1
	C,D	8881035944	Solid Folding Seat w/ Hardware (16" W x 17" D)	1	1
	C,D	8881035945	Solid Folding Seat w/ Hardware (16" W x 18" D)	1	1
	C,D	8881035946	Solid Folding Seat w/ Hardware (18" W x 16" D)	1	1
	C,D	8881035947	Solid Folding Seat w/ Hardware (18" W x 17" D)	1	1
	C,D	8881035948	Solid Folding Seat w/ Hardware (18" W x 18" D)	1	1

NOTE: A - Includes items 2-5.
 B - For use on chairs manufactured after 5/25/03.
 C - Specify upholstery color when ordering, see category titled, "Frame Finishes, Upholstery, and Packaging."
 D - For use on Adult, Hemi and Recliner chairs manufactured before 5/26/03.

Solid Folding Seats

9000XDT

Width X Depth	Nylon Upholstery	Vinyl Upholstery
16" x 16"	8881110370	8881110378
	See Note(s) A	See Note(s) A
16" x 18"	8881110374	8881110382
	See Note(s) A	See Note(s) A
18" x 16"	8881110371	8881110379
	See Note(s) A	See Note(s) A
18" x 18"	8881110375	8881110383
	See Note(s) A	See Note(s) A
20" x 16"	8881110372	8881110380
	See Note(s) A	See Note(s) A
20" x 18"	8881110376	8881110384
	See Note(s) A	See Note(s) A

NOTE: A - Specify upholstery color when ordering, see category titled, "Frame Finishes, Upholstery Colors and Packaging."

Drop Hook Solid Folding Seats

NOTE: Solid Folding Seats are 2" narrower than actual chair width and are not available on chairs over 20" wide.

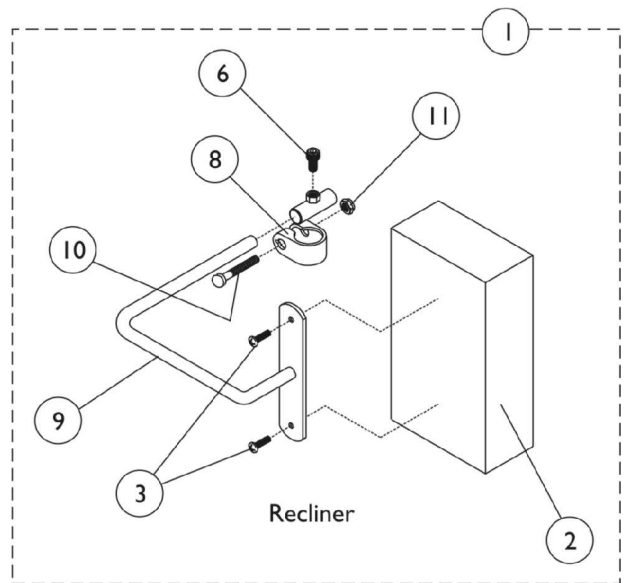
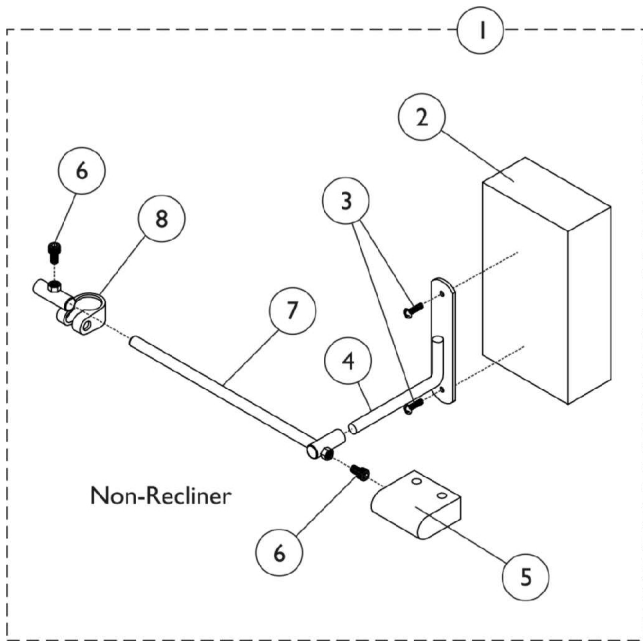
Solid Folding Seats

(9000XT & XT Recliner)

Width X Depth	Nylon Upholstery	Vinyl Upholstery
14" x 16"	8881110369	8881110377
	See Note(s) A	See Note(s) A
14" x 18"	8881110373	8881110381
	See Note(s) A	See Note(s) A
16" x 16"	8881110370	8881110378
	See Note(s) A	See Note(s) A
16" x 18"	8881110374	8881110382
	See Note(s) A	See Note(s) A
18" x 16"	8881110371	8881110379
	See Note(s) A	See Note(s) A
18" x 18"	8881110375	8881110383
	See Note(s) A	See Note(s) A
20" x 16"	8881110372	8881110380
	See Note(s) A	See Note(s) A
20" x 18"	8881110376	8881110384
	See Note(s) A	See Note(s) A

NOTE: A - Specify upholstery color when ordering, see category titled, "Frame Finishes, Upholstery Colors and Packaging."

Torso Support



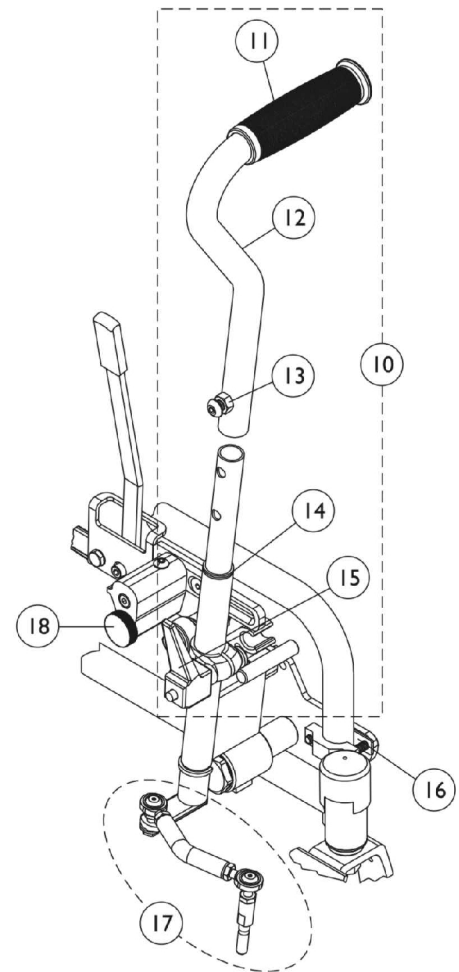
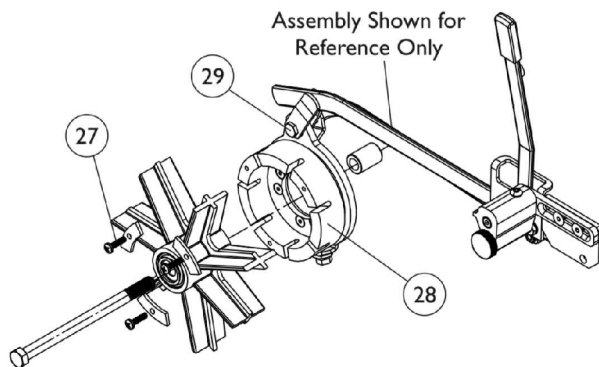
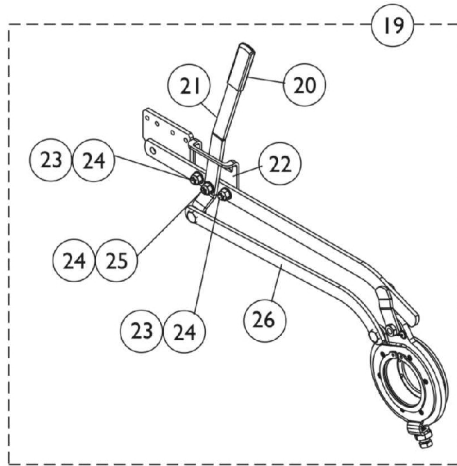
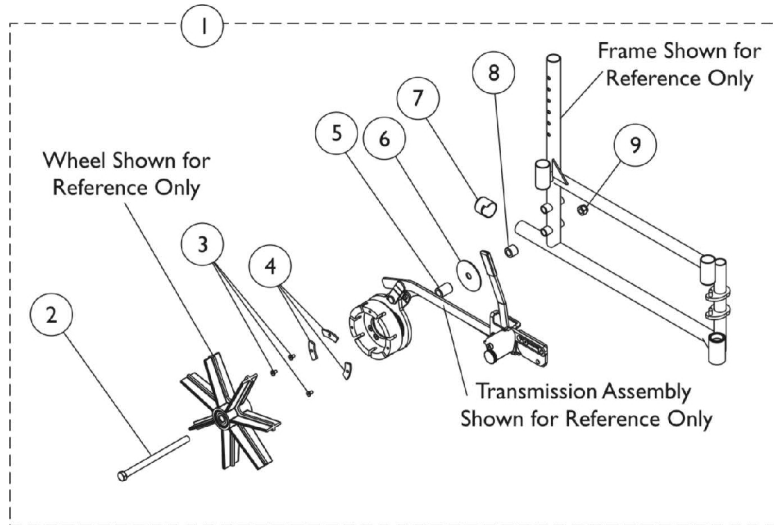
Torso Support

Item Number	Note	Part Number	Description	Quantity Per	
				Package	Assembly
1	A,B	8881050189	Torso Support Assembly (Pair)	2	1
1	A,C	8881050190	Torso Support Assembly (Pair)	2	1
2	D	8881123986	Pad, Headrest	1	1
3		40163X008	Screw, Phillips Pan Head (#10-32 x 11/16")	1	2
4		03018X016	Bracket, Support, Chrome	1	1
5	D	88804529X043	Cover Torso Bracket	1	1
6		60284X001	Screw, Socket Head (1/4-20 x 1/2")	1	1
7		03018X012	Rod, Support w/ Guide Tube	1	1
8		03018X043	Bracket, Clamp, Chrome - Right	1	1
8		03018X046	Bracket, Clamp, Chrome - Left	1	1
9		03018X041	Bracket, Pad Support, Chrome	1	1
10		11232X009	Bolt, Lug (5/16-24 x 1-3/8")	1	1
11		60264X001	Locknut (5/16-24)	1	1
	E	1023610	Instruction Sheet	1	1

NOTE: A - Includes items 2-11 and an instruction sheet.
 B - For use on Non-Recliner style chairs.
 C - For use on Recliner style chairs.
 D - Specify upholstery color when ordering, see category titled, "Frame Finishes, Upholstery Colors and Packaging."
 E - Not Shown.

Cyclical Lever Drive -7 Spoke - Before 10/01

**NOTE: Installation of the CLD MUST be performed by a qualified technician.
If a non-certified individual performs any work on these units, the
Manufacturer's Warranty is Void.**



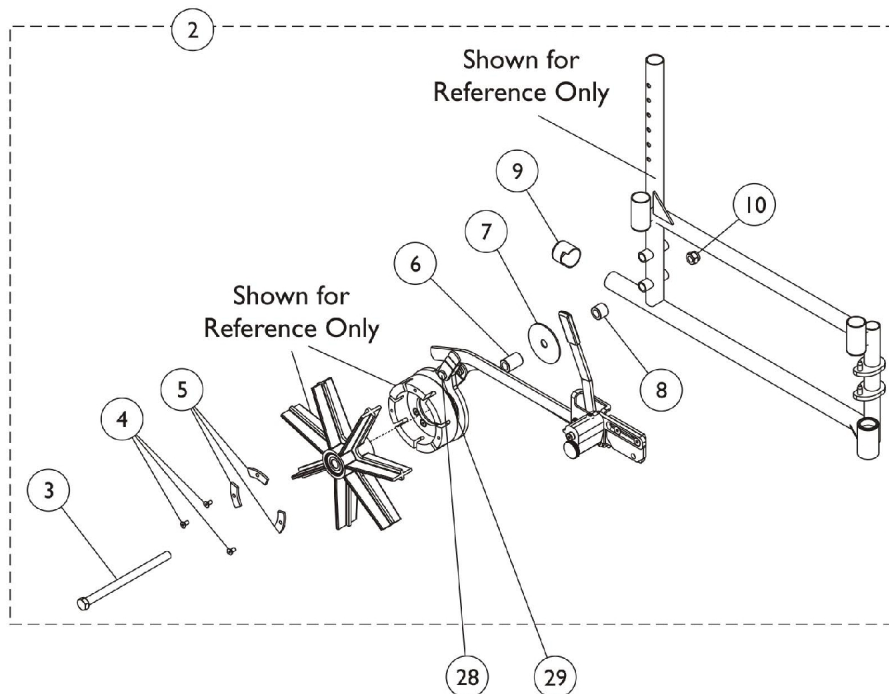
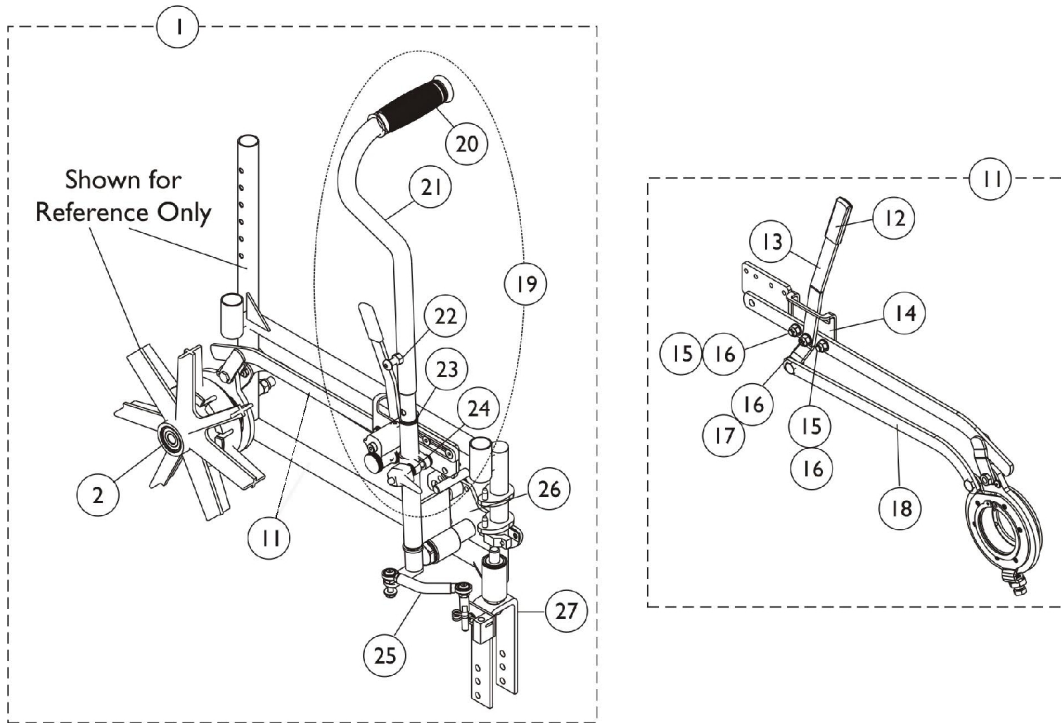
Cyclical Lever Drive -7 Spoke - Before 10/01

**NOTE: Installation of the CLD MUST be performed by a qualified technician.
If a non-certified individual performs any work on these units, the
Manufacturer's Warranty is Void.**

Item Number	Note	Part Number	Description	Quantity Per	
				Package	Assembly
1	A	1087540	Kit, Hub Attachment Hardware - Rear - Right/Left	1	1
2		1087407	Screw, Hex Head (7/16-20 x 6-1/2")	1	1
3		1085010	Screw, Socket Flat Head (#10-32 x 3/8")	1	3
4		1087504	Plate, Support Rear Outer Hub	1	3
5		1087354	Spacer, Hub Inner (7/16 x 3/4 x 1-1/16")	1	1
6		1084822	Washer, Axle (7/16 x 2-3/8" x 1/16")	1	1
7		361441	Cap, End, Notched, Black	1	1
8		1087908	Spacer, Hub Outer Rear (7/16 x 3/4 x 19/32")	1	1
9		1045608	Locknut (7/16-20)	1	1
10	B	1087760	Drive Arm Assembly - Right	1	1
10	B	1087759	Drive Arm Assembly - Left	1	1
11		1087905	Grip, Handle (7/8")	1	1
12		1088108	Handle, Black	1	1
13		1088117	Screw, Socket Button Head (5/16-18 x 1-1/4")	1	1
14		1088110	Plunger	1	1
15		1087420	Handle, Adjustment, Tapped Type, Black	1	1
16		1088097	Support Bracket Assembly - Right	1	1
16		1088098	Support Bracket Assembly - Left	1	1
17		1087477	Steering Link Assembly - Right	1	1
17		1087478	Steering Link Assembly - Left	1	1
18		1088010	Wheel Lock Assembly	1	1
19	C	1087733	Transmission Assembly - Right	1	1
19	C	1087734	Transmission Assembly - Left	1	1
20		1087761	Knob, Shift Lever, Black	1	1
21		1087739	Lever, Shift	1	1
22		1087738	Plate, Shift	1	1
23		7930326	Package, Screw, Hex Head (1/4-20 x 3/4")	25	2
24		1087204	Washer, Flat (1/4 x 9/16 x 1/32")	1	6
25		1087752	Screw, Socket Head (1/4-20 x 3/4")	1	1
26		1088201	Transmission Lever	1	1
27		0067506	Screw, Phillips Pan Head (#10-32 x 3/4")	1	3
28		1087278	Hub, Outer - Rear (7 Spoke)	1	1
29		1087744	Bolt, Drive Lever	1	1
<p>NOTE: A - Includes Items 2-9. B - Includes Items 11-15. C - Includes all of the components shown. Items 20-26 are sold separately.</p> <p>NOTE: For CLD release handle see page titled, "Fork and Release Handle for Cyclical Lever Drive."</p>					

Cyclical Lever Drive - 7 Spoke - 9000SL/XT Only - After 9/01

NOTE: Installation of the CLD MUST be performed by a qualified technician. If a non-certified individual performs any work on these units, the Manufacturer's Warranty is Void.



Cyclical Lever Drive - 7 Spoke - 9000SL/XT Only - After 9/01

**NOTE: Installation of the CLD MUST be performed by a qualified technician.
If a non-certified individual performs any work on these units, the
Manufacturer's Warranty is Void.**

Item Number	Note	Part Number	Description	Quantity Per	
				Package	Assembly
1	A,B,C	1088151	Kit, CLD - Right (6" Caster)	1	1
1	A,B,C	1088152	Kit, CLD - Left (6" Caster)	1	1
1	A,B,C	1088153	CLD Kit (8" Caster) - Right	1	1
1	A,B,C	1088154	Kit, CLD - Left (8" Caster)	1	1
2	D	1087540	Kit, Hub Attachment Hardware - Rear - Right/Left	1	1
3		1087407	Screw, Hex Head (7/16-20 x 6-1/2")	1	1
4		1085010	Screw, Socket Flat Head (#10-32 x 3/8")	1	3
5		1087504	Plate, Support Rear Outer Hub	1	3
6		1087354	Spacer, Hub Inner (7/16 x 3/4 x 1-1/16")	1	1
7		1084822	Washer, Axle (7/16 x 2-3/8" x 1/16")	1	1
8		1087908	Spacer, Hub Outer Rear (7/16 x 3/4 x 19/32")	1	1
9		361441	Cap, End, Notched, Black	1	1
10		1045608	Locknut (7/16-20)	1	1
11	E	1088008	Transmission and Wheel Lock Assembly - Right	1	1
11	E	1088009	Transmission and Wheel Lock Assembly - Left	1	1
12		1087761	Knob, Shift Lever, Black	1	1
13		1088200	Lever, Shift, Black	1	1
14		1087738	Plate, Shift	1	1
15		1025708	Bolt, Hex Head Cap (1/4-20 x 3/4")	1	1
16		1087204	Washer, Flat (1/4 x 9/16 x 1/32")	1	1
17		1087752	Screw, Socket Head (1/4-20 x 3/4")	1	1
18		1088201	Transmission Lever	1	1
19	F	1088115	Drive Arm and Link Steering Assembly - Right	1	1
19	F	1088116	Drive Arm and Link Steering Assembly - Left	1	1
20		1087905	Grip, Handle (7/8")	1	1
21		1088108	Handle, Black	1	1
22		1088117	Screw, Socket Button Head (5/16-18 x 1-1/4")	1	1
23		1088110	Plunger	1	1
24		1087420	Handle, Adjustment, Tapped Type, Black	1	1
25		1087477	Steering Link Assembly - Right	1	1
25		1087478	Steering Link Assembly - Left	1	1
26		1088097	Support Bracket Assembly - Right	1	1
26		1088098	Support Bracket Assembly - Left	1	1
27		1087467	Fork Assembly - Right (6")	1	1
27		1087468	Fork Assembly - Left (6")	1	1
27		1087469	Fork Assembly - Right (8")	1	1
27		1087470	Fork Assembly - Left (8")	1	1
28		1087744	Bolt, Drive Lever	1	1
29		1087917	Nut, Hex (5/16-24)	1	1

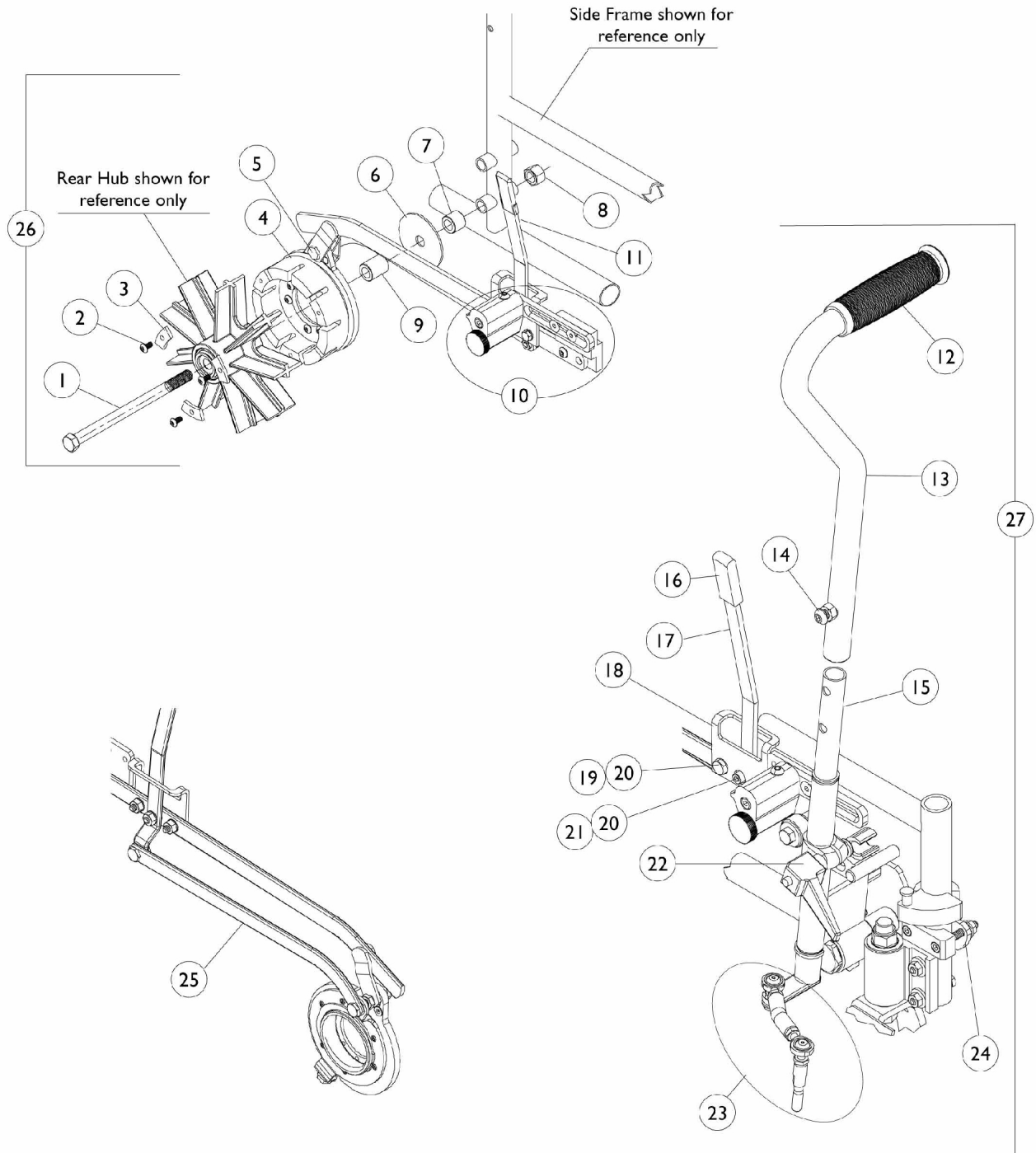
Cyclical Lever Drive - 7 Spoke - 9000SL/XT Only - After 9/01

**NOTE: Installation of the CLD MUST be performed by a qualified technician.
If a non-certified individual performs any work on these units, the
Manufacturer's Warranty is Void.**

Item Number	Note	Part Number	Description	Quantity Per	
				Package	Assembly
	G	1087937	Instruction Sheet	1	1
NOTE: A - New style Cyclical Lever Drive is retro-fittable for all SL/XT models. B - CLD only available with space saver arms. C - Includes items 2-28. D - Includes items 2-10. E - Includes items 12-18. F - Includes items 20-24. G - Not shown.					
NOTE: For CLD release handle see page titled, "Fork and Release Handle for Cyclical Lever Drive."					

Cyclical Lever Drive - 9 Spoke - Canadian Chairs Only

**NOTE: Installation of the CLD MUST be performed by a qualified technician.
If a non-certified individual performs any work on these units, the
Manufacturer's Warranty is Void.**



Cyclical Lever Drive - 9 Spoke - Canadian Chairs Only

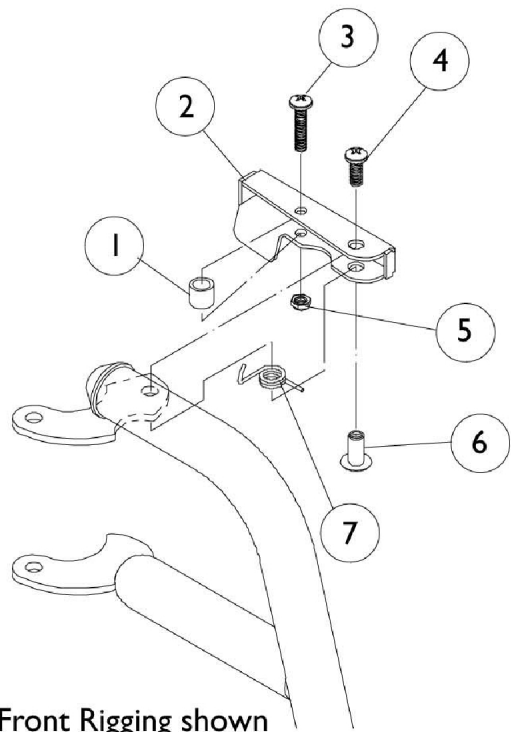
**NOTE: Installation of the CLD MUST be performed by a qualified technician.
If a non-certified individual performs any work on these units, the
Manufacturer's Warranty is Void.**

Item Number	Note	Part Number	Description	Quantity Per	
				Package	Assembly
1		1087407	Screw, Hex Head (7/16-20 x 6-1/2")	1	1
2		1088180-NLA	Screw, Pan Head, Phillips (#10-32 x 3/4")	1	6
3		1087909	Plate, Hub Support	1	6
4		1087907	Hub, Outer - Rear (9 Spoke)	1	1
5		1087744	Bolt, Drive Lever	1	1
6		1084822	Washer, Axle (7/16 x 2-3/8" x 1/16")	1	1
7		1087908	Spacer, Hub Outer Rear (7/16 x 3/4 x 19/32")	1	1
8		1045608	Locknut (7/16-20)	1	1
9		1087912	Spacer, Hub Inner (7/16 x 3/4 x 15/16")	1	1
10		1087592	Wheel Lock Assembly - Right	1	1
10		1087463	Wheel Lock Assembly - Left	1	1
11	A	1087733	Transmission Assembly - Right	1	1
11	A	1087734	Transmission Assembly - Left	1	1
12		1087905	Grip, Handle (7/8")	1	1
13		1088108	Handle, Black	1	1
14		1088117	Screw, Socket Button Head (5/16-18 x 1-1/4")	1	1
15		1088110	Plunger	1	1
16		1087761	Knob, Shift Lever, Black	1	1
17		1087739	Lever, Shift	1	1
18		1087738	Plate, Shift	1	1
19		7930326	Package, Screw, Hex Head (1/4-20 x 3/4")	25	2
20		1087204	Washer, Flat (1/4 x 9/16 x 1/32")	1	6
21		1087752	Screw, Socket Head (1/4-20 x 3/4")	1	1
22		1087420	Handle, Adjustment, Tapped Type, Black	1	1
23		1087477	Steering Link Assembly - Right	1	1
23		1087478	Steering Link Assembly - Left	1	1
24		1087981	Support Bracket Assembly - Right	1	1
24		1087982	Support Bracket Assembly - Left	1	1
25		1088201	Transmission Lever	1	1
26	B	1087979	Kit, Hub Attachment - Rear	1	1
27	C	1087760	Drive Arm Assembly - Right	1	1
27	C	1087759	Drive Arm Assembly - Left	1	1

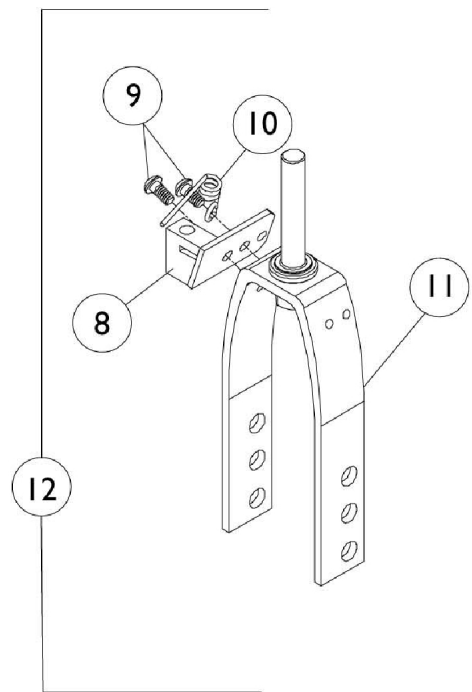
NOTE: A - Includes Items 1-3, 6-9
B - Includes Items 1-3 and 6-9
C - Includes Items 12-15 and 22-24

NOTE: For CLD release handle see page titled, "Fork and Release Handle for Cyclical Lever Drive."

Fork and Release Handle for Cyclical Lever Drive



Front Rigging shown
for
reference only

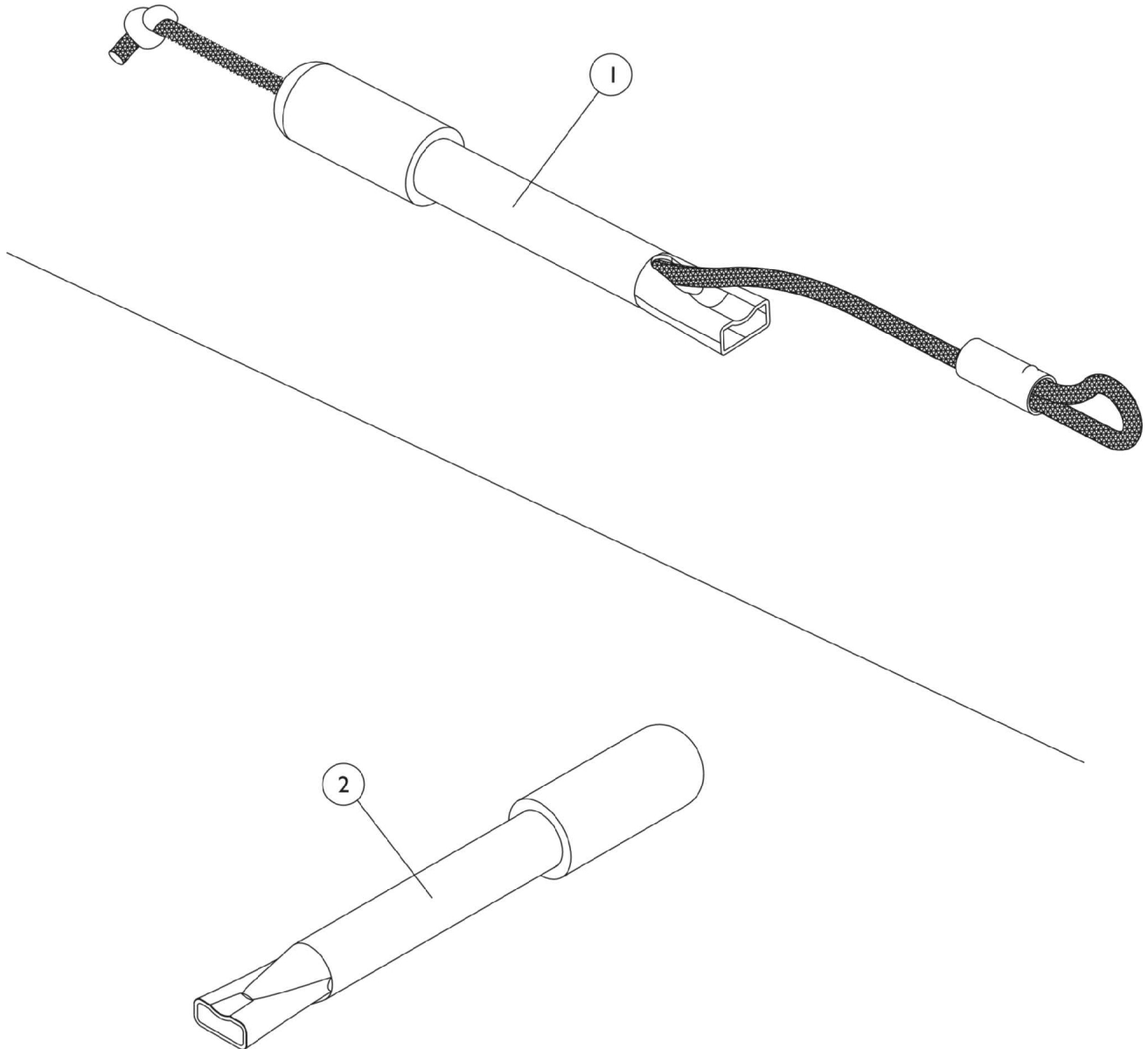


FORK

Fork and Release Handle for Cyclical Lever Drive

Item Number	Note	Part Number	Description	Quantity Per	
				Package	Assembly
1		47565X057	Bushing (7/32 x 3/8 x 11/32")	1	1
2		1033305	Handle, Release, Chrome - Right	1	1
2		1033306	Handle, Release, Chrome - Left	1	1
3		40163X008	Screw, Phillips Pan Head (#10-32 x 11/16")	1	1
4		40163X002	Screw, Phillips Round Head (#10-32 x 1/2")	1	1
5		40157X015	Washer, Nylon (9/16 x 1 x 5/8")	1	1
6		67005X000	Rivnut (#10-32)	1	1
7		1008935	Spring, Release - Right	1	1
7		1008936	Spring, Release - Left	1	1
8	A,E	1087350	Attachment, Steering, Black - Right	1	1
8	A,E	1087352	Attachment, Steering, Black - Left	1	1
8	B,F	1087368	Attachment, Steering, Black - Right	1	1
8	B,F	1087369	Attachment, Steering, Black - Left	1	1
9		0223506	Screw, Socket, Cap, Button Head (1/4-20 x 1/2")	1	2
10		1087449	Spring, Torsion - Right	1	1
10		1087450	Spring, Torsion - Left	1	1
11		1087715	Fork and Stem (6")	1	1
11		1087716	Fork and Stem (8")	1	1
12	C,D	1087467	Fork Assembly - Right (6")	1	1
12	C,D	1087468	Fork Assembly - Left (6")	1	1
12	C,D	1087469	Fork Assembly - Right (8")	1	1
12	C,D	1087470	Fork Assembly - Left (8")	1	1
NOTE: A - 6" Fork B - 8" Fork C - Fork; 7 and 9 Spoke CLD D - Includes Items 24-27 E - Used on 6" Fork F - Used on 8" Fork					

Wheel Lock Extensions



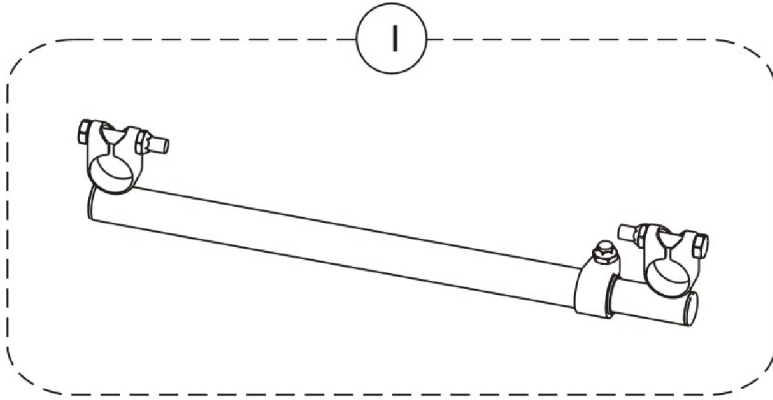
Wheel Lock Extensions

Wheel Lock Extensions

Item Number	Part Number	Description	Quantity Per Assembly
1	1038599 See Note(s) A	Wheel Lock Extension with Tip & Cord (Pair)	1
2	1050193	Wheel Lock Extension with Tip, 6" (Pair)	1
2	1050194	Wheel Lock Extension with Tip, 8" (Pair)	1

NOTE: A - For use with disc style wheel locks only.

Non-Folding Device



Non-Folding Device

Item Number	Note	Part Number	Description	Quantity Per	
				Package	Assembly
1		1143048	Device, Non-Folding (14-24" W)	1	1



Yes, you can.™

Invacare Corporation

www.invacare.com

One Invacare Way
Elyria, Oh USA
44036-2125
800-333-6900

Technical Support
800-832-4707
Florida Technical Support
407-321-5630

Customer Service
800-333-6900

©2009 Invacare Corporation, Elyria, Ohio.
Invacare, the Medallion Design and Yes, you
can.; are registered trademarks. Revised
5/7/09.

Form No. 95-115