

ELEVATION RAMPS

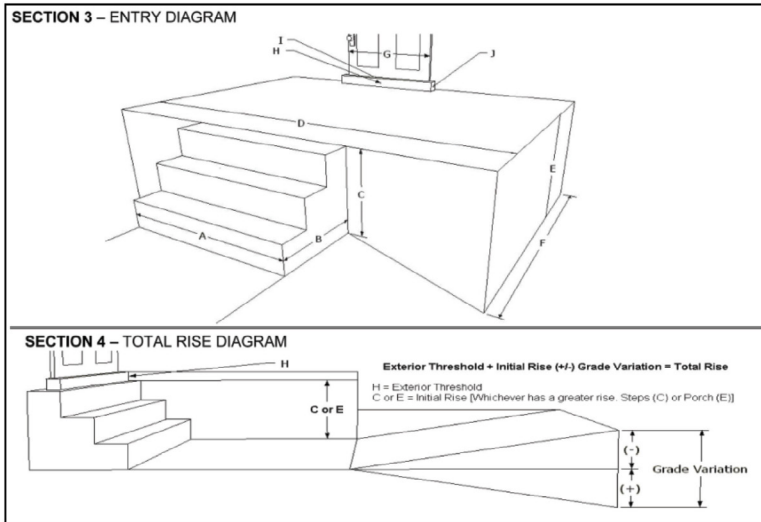
SITE EVALUATION FORM

Customer: _____

Project #: _____ Evaluator: _____

NOTE: All measurements that do not apply to the entry are to be given a value of 0.

What type of mobility device does the customer have? _____



Is there a porch? Yes No

If **YES**, what are the dimension?

Depth _____ Width _____ Height _____

Where is the door located on the porch?
(Please map on sheet provided.)

If there are handrails, what is the width? _____

Are there any obstructions inside the door?

Yes No

If **NO**, what is the height to the bottom of the door?

What is the height of the threshold? Inside: _____ Outside: _____

Door swing: In Out

Where does the customer park? (Please map on sheet provided)

Use line level from the corner of the porch to proposed landing of the ramp to determine grade rise or fall. Remember 1" of rise requires 1' of ramp, and the ramp cannot exceed 30' with a platform break. See section 4 above.

Grade: Up Down

Total rise = Threshold height + Porch height +/- Grade variation:
If the grade goes up, subtract, if the grade goes down, add. **Total rise:** _____

What is the surface where the ramp will be landing? _____

Any obstructions in the yard must be mapped out on the sheet provided. (Trees, shrubs, lawn ornaments, mailboxes, power poles etc.) Provide photos of: Entire yard, Door (preferably open to show entrance), at least two perspectives to show parking location in reference to the ramp location.

NOTE: If all the information is not received, the quote may be delayed.