

AltimateMedical

P.O. Box 180
262 West 1st St
Morton, MN 56270

Toll Free: 800.342.8968 or 507.697.6393
Fax Free: 877.342.8968 or 507.697.6900
email: info@easystand.com
www.easystand.com



EasyStand[®] Magician[®]·ei



Standing technology should only be used under the guidance of a physician with recommendations for standing program protocol and any medical precautions. Standing programs should be monitored by the attending therapist. AMI maintains a policy of continual product improvement and reserves the right to change features, specifications, and prices without prior notification. Check with AMI for latest info.

FORM MAN70EI 0507 Copyright © 2007 Altimate Medical, Inc. All rights reserved. Printed in the U.S.A.

Owner's Manual

Limited Warranty

This warranty is extended only to the original purchaser/customer (or dealer non consumer who does not buy or resell). Altimate Medical, Inc. (AMI) warrants the EasyStand Magician against defects in materials and workmanship as listed below.

- Steel Frames - 5 year warranty
- Gas Spring - 2 year warranty
- Upholstered components, plastic pads, rubber parts, painted surfaces, bearing and other parts not specifically identified above - 90 day warranty

The warranty period commences for the consumer on the purchase date from the seller/dealer. If the product is rented or otherwise not sold to a consumer, the warranty period commences from the date of invoice from AMI. Any product proven to AMI satisfaction to be defective and within warranty period shall be repaired or replaced at AMI's option. AMI'S SOLE OBLIGATION AND YOUR EXCLUSIVE REMEDY UNDER THIS WARRANTY SHALL BE LIMITED TO SUCH REPAIR AND/OR REPLACEMENT. This warranty does not include any labor charges incurred in replacement parts installation. Freight charges to factory are at the expense of consumer to seller. For warranty service, please contact the authorized dealer from whom you purchased your AMI product. In the event you do not receive satisfactory warranty service, please write directly to AMI at the address below. Do not return products to our factory without prior authorization. LIMITATIONS AND EXCLUSIONS: The foregoing warranty shall not apply to serial numbered products if the serial number has been removed or defaced. Products subject to negligence, abuse misuse, improper operation, improper maintenance, improper storage, or damages beyond AMI's control are not covered by this warranty, and that evaluation will be solely determined by AMI. The warranty shall not apply to problems arising from normal wear or failure to follow instructions. The warranty will be void if parts not manufactured by AMI or parts not complying with original equipment specifications are added to an AMI product. THE FOREGOING WARRANTY IS EXCLUSIVE AND IN LIEU OF ALL OTHER EXPRESS WARRANTIES. AMI SHALL NOT BE LIABLE FOR ANY CONSEQUENTIAL OR INCIDENTAL DAMAGES WHATSOEVER.

AMI maintains a policy of continual product improvement and reserves the right to change features, specifications, and prices without prior notification. Check with AMI for latest information.

THE FOREGOING WARRANTY IS EXCLUSIVE AND IN LIEU OF ALL OTHER EXPRESS WARRANTIES. AMI SHALL NOT BE LIABLE FOR ANY CONSEQUENTIAL OR INCIDENTAL DAMAGES WHATSOEVER.

AMI maintains a policy of continual product improvement and reserves the right to change features, specifications, and prices without prior notification. Check with AMI for latest information.

Altimate Medical, Inc., P.O. Box 180, 262 W. 1st St., Morton, MN 56270 USA
Phone: 507•697•6393 800•342•8968 Fax: 507•697•6900
www.easystand.com info@easystand.com

Environmental Issues

After life of the product:

- Recycle in accordance with the recycling codes of your country.
- Recycle all metal parts.
- Plastic parts should be disposed of or recycled according to the directive in your country.
- Please inquire at your local disposal management and recycling center for local codes.
- Return hydraulic actuator to Altimate Medical, Inc.

Table Of Contents

Introduction	2
Safety Precautions	3
Assembly	4-7
Options	8,9
Adjustments	10-17
Parts & Options	18-29
Standing Log	30
Specifications	31
Limited Warranty	32

Introduction

Congratulations on your purchase of the **EasyStand Magician•ei** seating/standing system! We at Altimate Medical, Inc. have designed the EasyStand Magician•ei with the comfort and happiness of your child in mind.

This manual is an integral part of your seating/standing system and should be read thoroughly by anyone that will be operating the unit. This will ensure that the EasyStand Magician•ei is assembled properly and then used in the most beneficial manner for your child.

Should any problem arise that you cannot solve by reading this manual, please contact your local dealer, visit our website (www.easystand.com), or call Altimate Medical, Inc. at **1-800-342-8968**.

It is important that you inspect your EasyStand Magician•ei periodically to ensure that it is in safe operating condition. Minor adjustments can be made by the attendant. Replacement of worn parts, major adjustments, or any other important corrections should be handled by an authorized dealer or service center. Only Altimate Medical, Inc. approved replacement parts should be used to ensure safety and performance.

AMI recommends an attendant be present when the EasyStand Magician Comfy is being used.

The EasyStand Magician•ei should not be used by any individual without first consulting a qualified physician. **Failure to consult a qualified physician prior to using the EasyStand Magician•ei could lead to severe medical problems.** We recommend that a standing program be established and supervised by a qualified medical doctor or therapist. The EasyStand Magician•ei is to be used by individuals ranging from 28" - 40" (71cm - 101cm) tall and weighing up to 45 lbs. (20kg).

Date Purchased _____ Serial # _____

Specifications

Height Range	28"-40"	71-102cm
Weight Limit	45 lbs	20kg
Seat Depth (<i>from front of seat</i>)	6.5"-11"	16-28cm
Seat Height from Floor	19"	48cm
Seat Width	4.5"-9.5"	11-24cm
Seat to Footplate Range	3"-15"	8-38cm
Table/Front Pad Depth Range	5"aft-6" forward	13-15cm
Table Height Range (<i>from seat pivot</i>)	11"-22"	27-56cm
Knee Depth Range (<i>from seat pivot</i>)	3.5"-10"	9-25cm
Knee Width Range (<i>center to center</i>)	4.5-7.75"	11-20cm
Back Height Range (<i>from seat surface</i>)	8"-10"	20-26cm
Standard Base Dimensions	22"x33"	56x84cm
Weight of Basic Unit	81 lbs.	37kg
Frame Color	Black Powder Coat	
Upholstery Colors Available	Blue & Red	
Standard Table Size	20"x22.5"	51x57cm
Headrest Height Range (<i>from seat</i>)	13"-20"	33-51cm

Standing Progress Log



Client's Name: _____ Diagnosis: _____

Date	Total Standing Time	Outcomes / Comments (areas of change)	Initials

During the above standing program, the client experienced positive changes in these areas:
 ROM Reduced Spasms Bowel Bladder Respiratory Improved Upper Body Balance Psychological Boost

Safety Precautions _____

The EasyStand Magician•ei is designed to accommodate *most* individuals from 28"-40" (71-102cm) and up to 45 lbs (20kg). If the child or the individual does not meet these specifications and has not been properly fitted by a qualified therapist or physician, Altimate Medical, Inc. does not recommend the use of the EasyStand Magician•ei.

Altimate Medical, Inc. recommends you consult with your Physician or Therapist prior to starting a standing program.

Check your EasyStand periodically to make sure all nuts, bolts, and adjustable parts are tightened securely.

Never reposition the foot holders while you are in the standing position. Consult with your therapist or doctor for proper foot placement and angle.

If the unit was exposed to temperatures of less than 50°F (23.5°C), you must allow the unit to warm up to room temperature before use.

Use body weight to lower the seat. Do not use excessive force.

The EasyStand is for indoor use only.

Extreme movement in the EasyStand may cause it to tip.

If you ordered casters or the mobile option, you should always put the casters and/or wheels in the locked position before transferring into the EasyStand. Use these locks whenever you want to keep the EasyStand stationary.

Do not use the mobile option on ramps or uneven floors.

Always use the Easystand Magician under adult supervision.

Assembly

1 Place the base onto the floor and lock the casters. Attach the front caster adapters.

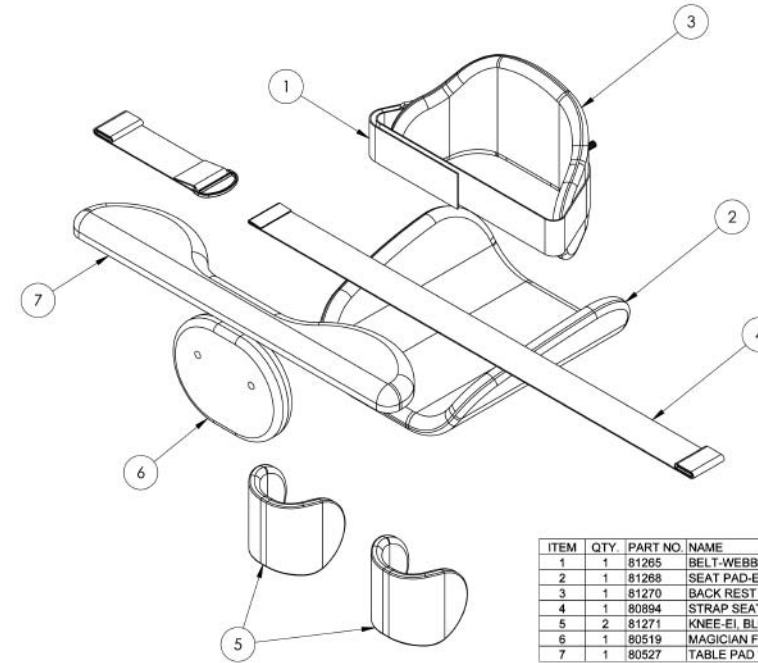
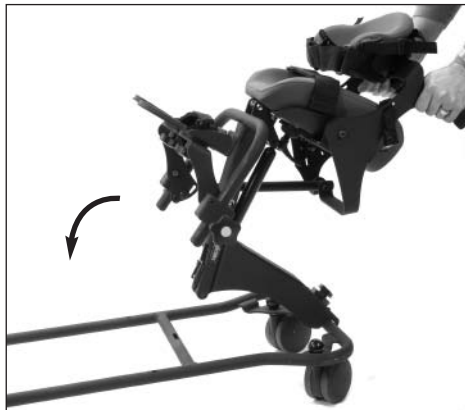
If you ordered the mobile option, open the mobile option box and insert the front drive wheels to make the base level.



2 Attach the footplates to the seating system legs. The knobs must face outward. Move the footplates halfway up the legs and tighten the locking knobs.

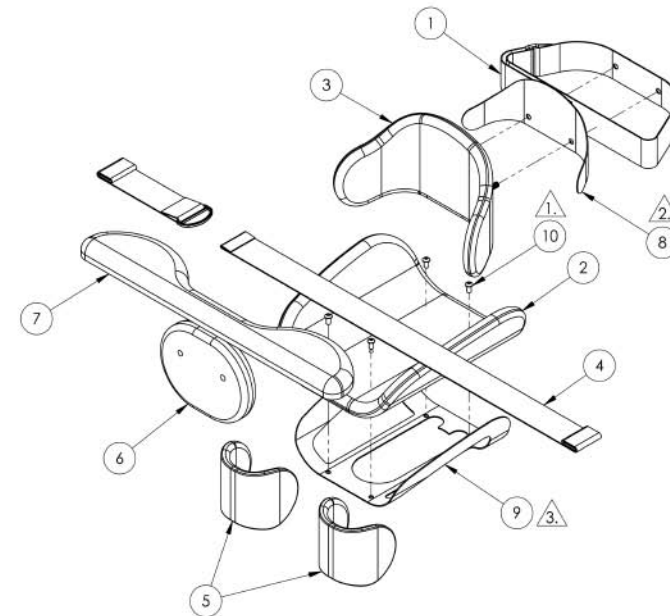


3 Place the seat assembly onto the base as shown. Tip the seat assembly forward and insert seating system tab into the slot.



ITEM	QTY	PART NO.	NAME	DESCRIPTION
1	1	81265	BELT-WEBBED, 44" W/VELCRO	BELT-WEBBED, 44" W/VELCRO
2	1	81268	SEAT PAD-EI, BLUE	SEAT PAD-EI, BLUE
3	1	81270	BACK REST ASM-EI, BLUE	BACK REST ASM-EI, BLUE
4	1	80894	STRAP SEAT BELT BLACK EI	STRAP SEAT BELT BLACK EI
5	2	81271	KNEE-EI, BLUE	KNEE-EI, BLUE
6	1	80519	MAGICIAN FRONT PAD ROYAL BLUE	PAD CHEST ROYAL BLUE
7	1	80527	TABLE PAD 7000 ROYAL BLUE	PAD TABLE ROYAL BLUE

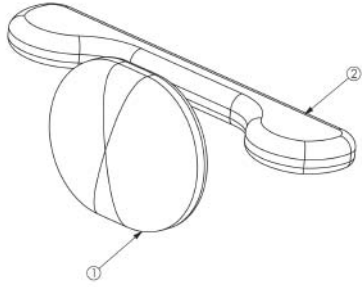
Upholstery #P81267



ITEM	QTY	PART NO.	NAME	DESCRIPTION
1	1	81265	BELT-WEBBED, 44" W/VELCRO	BELT-WEBBED, 44" W/VELCRO
2	1	81268	SEAT PAD-EI, BLUE	SEAT PAD-EI, BLUE
3	1	81270	BACK REST ASM-EI, BLUE	BACK REST ASM-EI, BLUE
4	1	80894	STRAP SEAT BELT BLACK EI	STRAP SEAT BELT BLACK EI
5	2	81271	KNEE-EI, BLUE	KNEE-EI, BLUE
6	1	80519	MAGICIAN FRONT PAD ROYAL BLUE	PAD CHEST ROYAL BLUE
7	1	80527	TABLE PAD 7000 ROYAL BLUE	PAD TABLE ROYAL BLUE
8	1	81099	SEAT BACK BRACKET FLEXIBLE	PT 2.59W 3.625H 9.630L
9	1	81243	EI FORM TO FIT SEAT	EI FORM TO FIT SEAT
10	4	91101	BOLT	BOLT 5/16-18 X 1-1/2 BTN SHCS

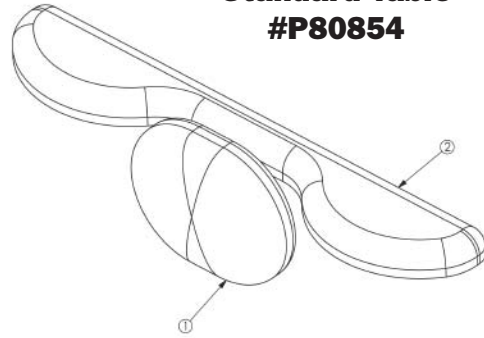
Form To Fit Upholstery #P81291

**Mobile Table
#P80857**



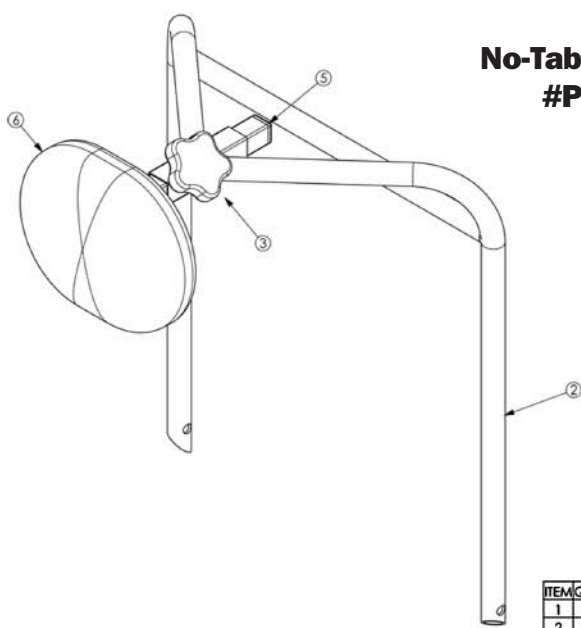
ITEM	QTY	PART NO.	NAME	DESCRIPTION
1	1	80519	MAGICIAN FRONT PAD ROYAL BLUE	PAD CHEST ROYAL BLUE
2	1	80531	TABLE PAD 7500 ROYAL BLUE MOBILE	PAD TABLE ROYAL BLUE

**Standard Table
#P80854**



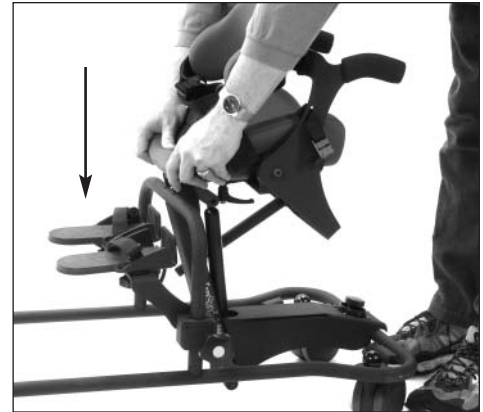
ITEM	QTY	PART NO.	NAME	DESCRIPTION
1	1	80519	MAGICIAN FRONT PAD ROYAL BLUE	PAD CHEST ROYAL BLUE
2	1	80527	TABLE PAD 7000 ROYAL BLUE	PAD TABLE ROYAL BLUE

**No-Table Option
#P7060**



ITEM	QTY	PART NO.	REV	CODE	NAME	DESCRIPTION
1	1	77903	-	WELD	FRONT PAD BRACKET	WELDMENT FRONT PAD BRACKET
2	1	77902	A	WELD	FRONT PAD W/O TABLE	WELDMENT FRONT PAD W/O TABLE
3	1	10000	-	HDWARE	5/16"-16 X 5/8 5 PT KNOB	KNOB 5/16"-16 X 5/8 ZC 5 PT
4	2	91102	-	HDWARE	BOLT	BOLT 5/16-18 X 3/4 8IN SHCS
5	1	10069	-	HDWAR	CAP	.75H .75W 14-20GA BLK SQ
6	1	80519	-	UPSTRY	MAGICIAN FRONT PAD ROYAL BLUE	PAD CHEST ROYAL BLUE

4 Push firmly on front of seat assembly to place the seating system tab into the slot.



5 Insert the bolts from the bag to secure the seating assembly to the base. Tighten securely.

Warning: Failure to assemble unit securely will make the unit unstable and dangerous to the end user.



6 Insert the H-frame into the base verticals.



7 Place pins from the bag with the knobs and caps into bottom holes to secure H-frame.

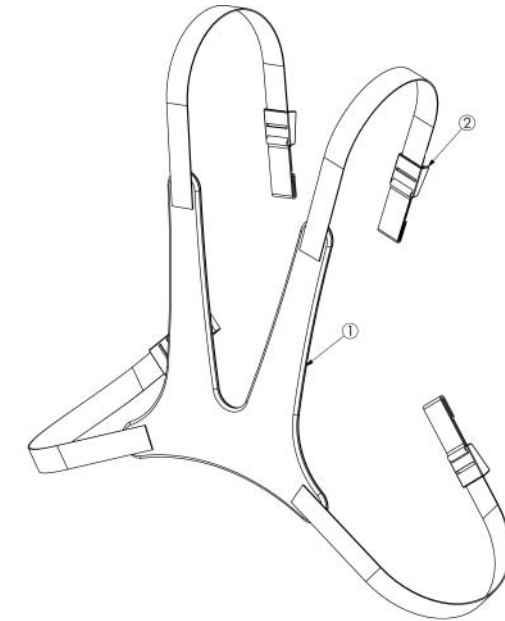


8 Loosen knobs from bag to place table into table brackets.



9 Remove the hex bolts from the front pad and attach it to the mounting bracket on the table.

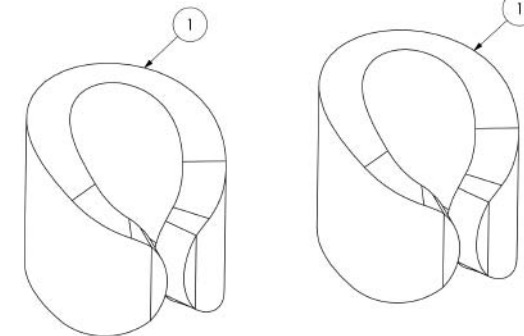
Tighten bolts securely.



**Chest Vest
#P81149**

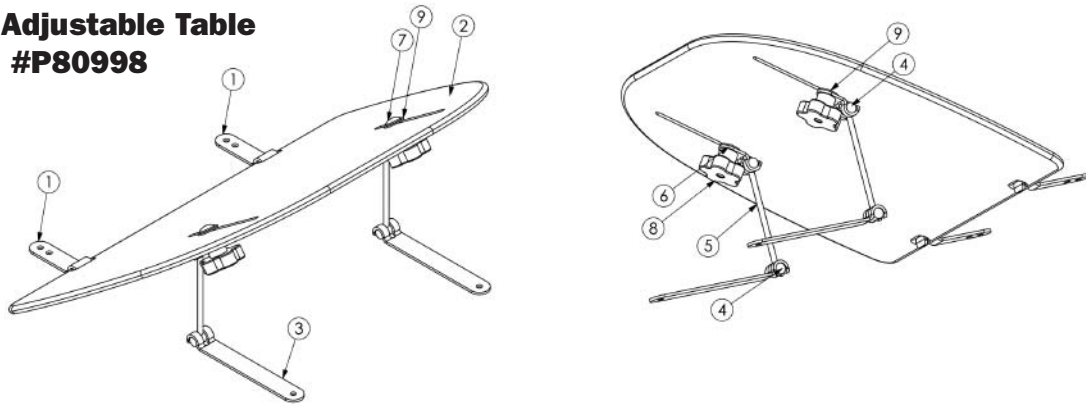
ITEM	QTY.	PART NO.	REV.	CODE	NAME	DESCRIPTION
1	1	80664	A	UPSTRY	CHEST VEST	STRAP CHEST VEST
2	4	81148	-	UPSTRY	CHEST VEST STRAP	CHEST VEST STRAP

**Tiny Toes Adapters
#P80873**



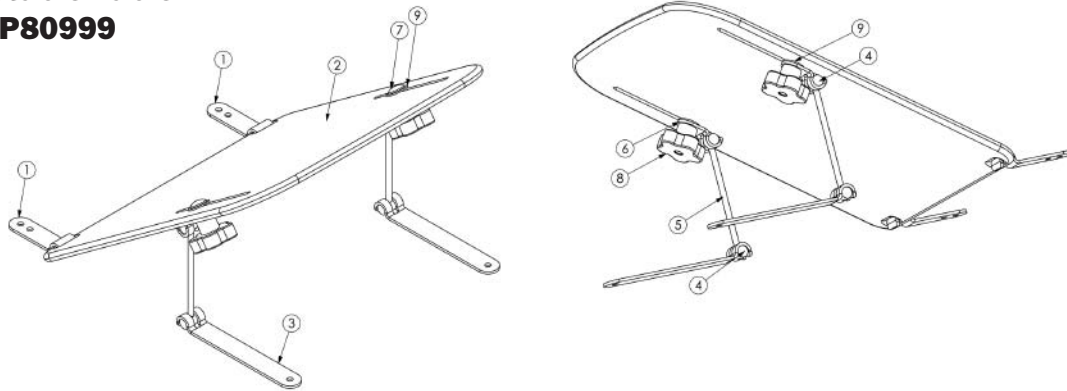
ITEM NO.	PART NO.	QTY.	NAME
1	80899	2	EI TINY TOE 4.810W 1.00H 10.501L

**Angle Adjustable Table
#P80998**



ITEM	QTY.	PART NO.	NAME	DESCRIPTION
1	2	80983	BRACKET TILT TABLE FRONT	.375H 1.00W 3.50L
2	1	80989	CLEAR ACRYLIC TILT TABLE TOP 7000	TABLE .375H 16.75W 22.50L
3	2	80984	BRACKET TILT TABLE REAR	.375H 1.00W 6.874L
4	4	80985	TILT TABLE NYLON ROD	.500D .875L
5	2	80986	TILT TABLE ROD	THREADED ROD 1/4-20 X 5 1/4 BOTH ENDS
6	2	80982	BRACKET TILT TABLE	.375H 1.00W 2.00L
7	2	80815	5/16" CARRIAGE BOLT	5/16-18UNC X 1.00L CARRIAGE BOLT
8	2	92406	KNOB 5/16-18 W/FEMALE 5 PT BLK	KNOB 5/16-18 W/FEMALE 5 PT BLK
9	4	80283	FLAT WASHER	WASHER 1/2 ID X 1.00 OD .062H NYL

**Mobile Angle
Adjustable Table
#P80999**



ITEM	QTY.	PART NO.	NAME	DESCRIPTION
1	2	80983	BRACKET TILT TABLE FRONT	.375H 1.00W 3.50L
2	1	80990	CLEAR ACRYLIC TILT TABLE TOP 7500	TABLE .375H 15.125W 16.25L
3	2	80984	BRACKET TILT TABLE REAR	.375H 1.00W 6.874L
4	4	80985	TILT TABLE NYLON ROD	.500D .875L
5	2	80986	TILT TABLE ROD	THREADED ROD 1/4-20 X 5 1/4 BOTH ENDS
6	2	80982	BRACKET TILT TABLE	.375H 1.00W 2.00L
7	2	80815	5/16" CARRIAGE BOLT	5/16-18UNC X 1.00L CARRIAGE BOLT
8	2	92406	KNOB 5/16-18 W/FEMALE 5 PT BLK	KNOB 5/16-18 W/FEMALE 5 PT BLK
9	4	80283	FLAT WASHER	WASHER 1/2 ID X 1.00 OD .062H NYL

10 Insert the table into the verticals on the H-frame.



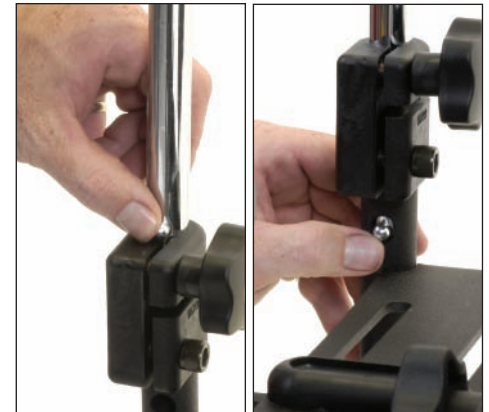
11 Depress the spring button to continue installation.

The spring button will stop in the maximum height position.

Depress the spring button again to lower the table.

Turn the knobs to tighten.

Note: There is only one spring button.



12 Your EasyStand Magician•ei is now ready. For instructions on how to use your stander refer to the "Usage and Adjustments" section.



Options

Angle Adjustable Table

The angle adjustable table mounts into the frame verticals. Assembly instructions are included with the table.



Head Support/Ball Adapters

Insert head support into bracket behind back. Depress spring button to lower headrest into place.

Tighten knob securely.

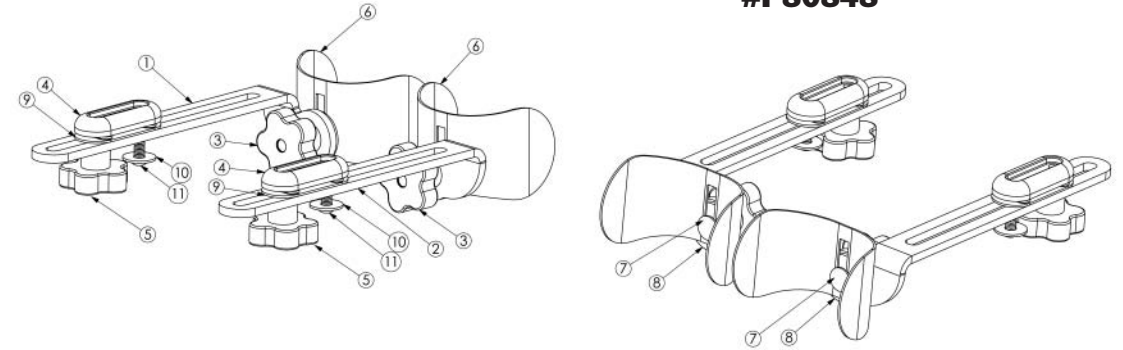


Chest Vest

Insert straps from chest vest into clips on the back of the unit and tighten as desired.

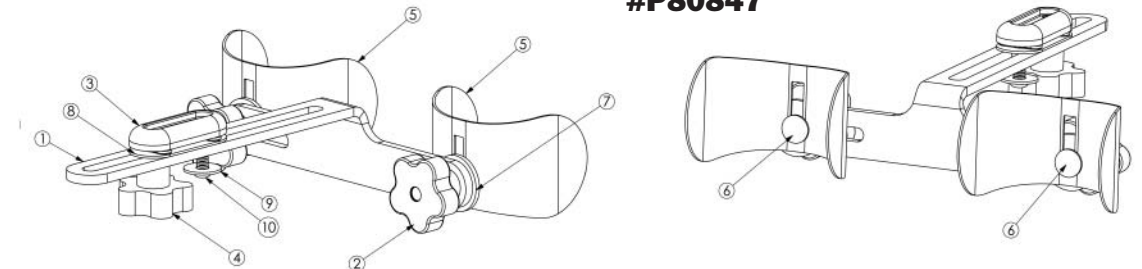


Independent Kneepads #P80848



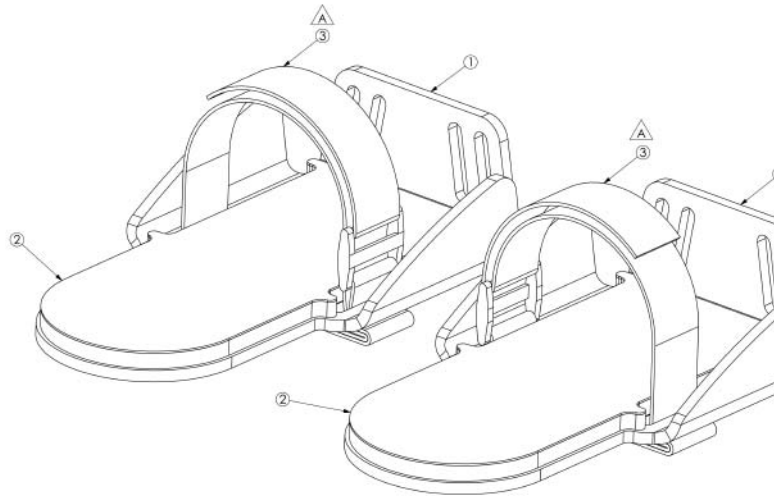
ITEM NO.	PART NUMBER	DESCRIPTION	QTY.
1	80849	PT 2.011H 2.813W 10.937L	1
2	80850	PT 2.011H 2.813W 10.937L	1
3	92406	KNOB 5/16-18 W/FEMALE 5 PT BLK	2
4	80432	PT .938H 1.25W 3.062L	2
5	10005	KNOB 5/16"-18 X .750 ZC 5 PT	2
6	80775	PT 4.25W 3.25H 4.00L	2
7	80951	5/16-18UNC X 1.25L CARRIAGE BOLT	2
8	80782	WASHER 1.50D .437ID .130L NYLON	2
9	81174	PT .063H 1.25W 6.062L	2
10	80887	WASHER .98D .343ID .065H NYLON	2
11	91103	BOLT 5/16-18 X 1 BTN SHCS	2

Standard Kneepads #P80847

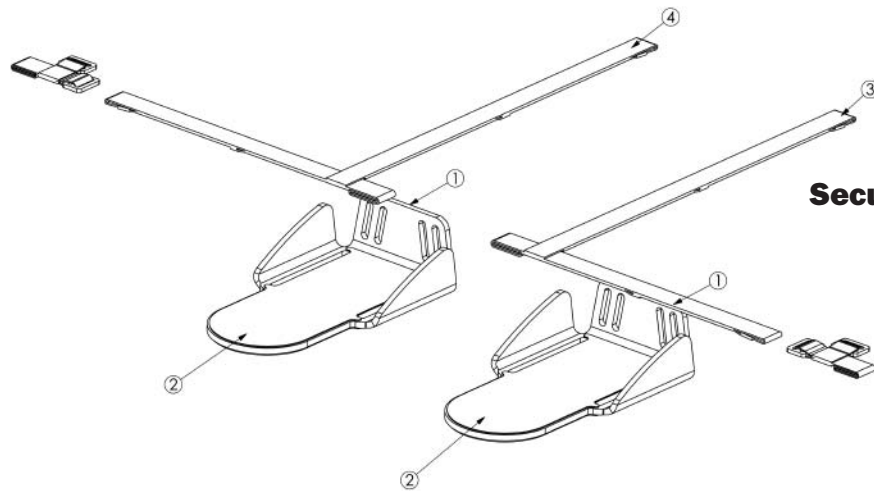


ITEM NO.	PART NUMBER	DESCRIPTION	QTY.
1	80760	PT 9.00W 1.761H 10.937L	1
2	92406	KNOB 5/16-18 W/FEMALE 5 PT BLK	2
3	80432	PT .938H 1.25W 3.062L	1
4	10005	KNOB 5/16"-18 X .750 ZC 5 PT	1
5	80775	PT 4.25W 3.25H 4.00L	2
6	80951	5/16-18UNC X 1.25L CARRIAGE BOLT	2
7	80782	WASHER 1.50D .437ID .130L NYLON	2
8	81174	PT .063H 1.25W 6.062L	1
9	80887	WASHER .98D .343ID .065H NYLON	1
10	91103	BOLT 5/16-18 X 1 BTN SHCS	1

**Footholders with Straps
#P80878**



ITEM	QTY.	PART NO.	NAME	DESCRIPTION
1	2	80765	EI FOOT HOLDER	PP 4.75W 1.998H 8.00L
2	2	80766	EI RUBBER FOOT MAT	PT 3.613W .125H 7.554L
3	2	80879	VLEURO FOOT STRAP EI	STRAP FOOT BLACK EI



**Secure Foot Option
#P80864**

ITEM	QTY.	PART NO.	NAME	DESCRIPTION
1	2	80765	EI FOOT HOLDER	PP 4.75W 1.998H 8.00L
2	2	80766	EI RUBBER FOOT MAT	PT 3.613W .125H 7.554L
3	1	80862	STRAP SECURE FOOT LEFT BLACK	HEAL & ANKLE STRAP LH
4	1	80863	STRAP SECURE FOOT RIGHT BLACK	HEAL & ANKLE STRAP RH

Independent Knee Pads

Place knee brackets into slots.

Note: Oval washer is placed between knee pad bracket and mounting bracket.



Table Swing-away Sleeve

Remove H-frame and place swing-away sleeve onto either right or left frame vertical.



Mobile Option

Refer to the assembly instructions that you received with the mobile unit.



Adjustments

To enjoy all the benefits of the EasyStand Magician•ei it is important that the unit be adjusted properly for the user.

Important: Always have your Physician, Therapist or Supplier assist you in the initial fitting and adjustment of your EasyStand.

Seat Depth and Back Angle

To adjust the seat depth and back angle be sure the secondary locking knob is loose.

Important: This knob is a secondary safety locking knob only; it must be loosened to go into the standing position. If you are not in a multi-user environment, this knob can be left in a loosened state at all times.

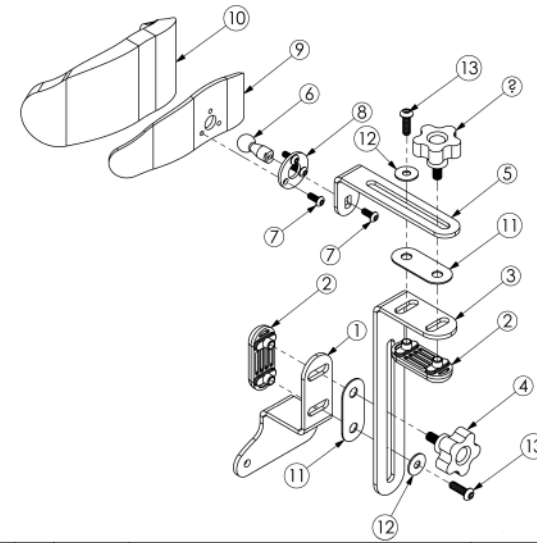
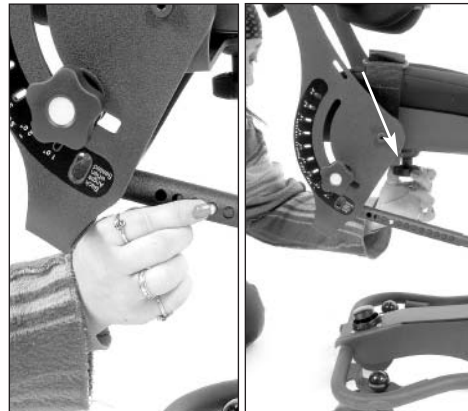


To adjust the seat, depress the spring button on the adjustment tube and move (up to three increments) in the intended direction.

Loosen the seat depth knob and slide the seat in the intended direction.

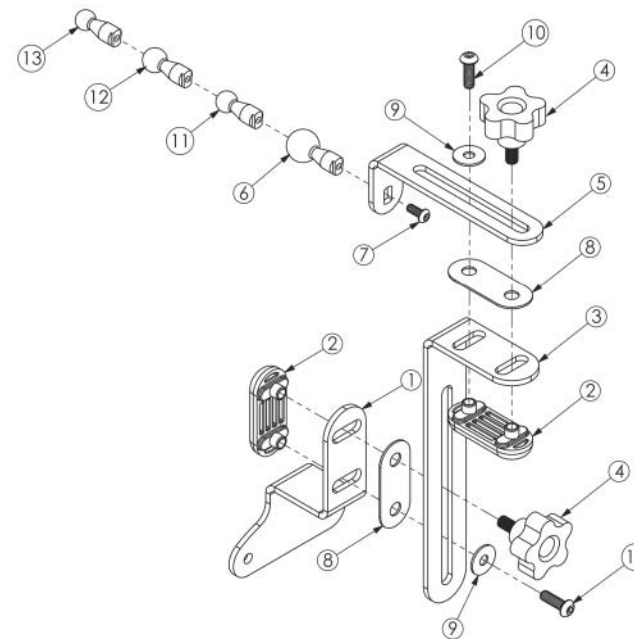
Repeat steps until the seat is in proper position.

Tighten the seat depth knob securely after desired position is reached.



**Head Support
#P80776**

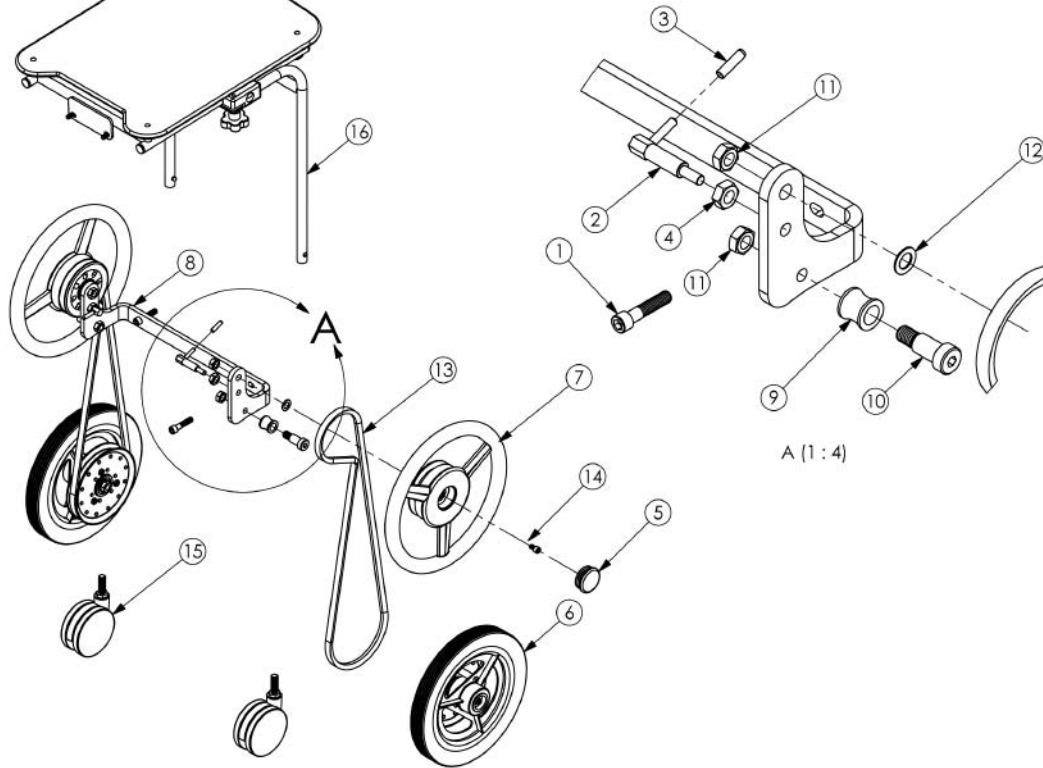
ITEM	QTY.	PART NO.	NAME	DESCRIPTION
1	1	80763	EI BACK HEADREST ADJUSTMENT BRACKET	PT 4.75W 6.438H 2.625L
2	2	80432	INDEPENDENT ADJUSTABLE KNEE CLAMP	PT .938H 1.25W 3.062L
3	1	80762	EI MIDDLE HEADREST ADJUSTMENT BRACKET	PT 1.625W 3.75H 10.750L
4	2	10005	5/16"-18 X .750 5 PT KNOB	KNOB 5/16"-18 X .750 ZC 5 PT
5	1	80761	EI HEADREST BRACKET	PT 1.25W 2.25H 6.50L
6	1	80876	HEADREST BALL ATTACHMENT	PT HEADREST BALL ATTACHMENT
7	4	80757	BOLT	BOLT 1/4-20 X 5/8 BTN SHCS
8	1	80884	HEADREST WASHER ATTACHMENT	PT 1.625D .703ID .134H
9	1	80892	HEAD REST PAD BRACKET	PT 2.546W 3.686H 7.06L
10	1	80893	EI HEAD SUPPORT PAD SUPPORT	PAD HEAD SUPPORT BLACK EI
11	2	81174	INDEPENDANT ADJUSTMENT WASHER	PT .063H 1.25W 6.062L
12	2	80887	NYLON WASHER	WASHER .98D .343ID .065H NYLON
13	2	91103	BOLT	BOLT 5/16-18 X 1 BTN SHCS



ITEM NO.	PART NO.	QTY.	NAME
1	80763	1	EI BACK HEADREST ADJUSTMENT BRACKET
2	80432	2	INDEPENDENT ADJUSTABLE KNEE CLAMP
3	80762	1	EI MIDDLE HEADREST ADJUSTMENT BRACKET
4	10005	2	5/16"-18 X .750 5 PT KNOB
5	80761	1	EI HEADREST BRACKET
6	80876	1	HEADREST BALL ATTACHMENT OTTOBAC
7	80757	1	BOLT
8	81174	2	INDEPENDANT ADJUSTMENT WASHER
9	80887	2	NYLON WASHER
10	91103	2	BOLT
11	80876	1	HEADREST BALL ATTACHMENT STEALTH
12	80876	1	HEADREST BALL ATTACHMENT WHITMEYER
13	80877	1	HEADREST BALL ATTACHMENT WHITMEYER

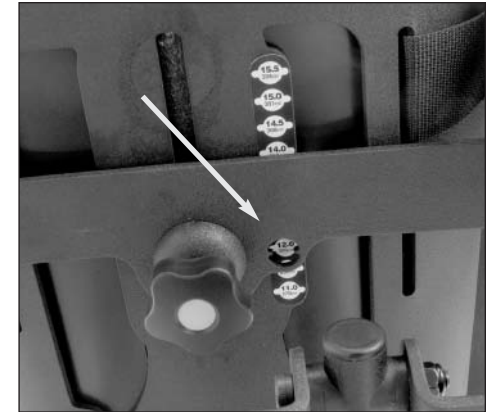
**Head Support Ball Adapters
#P80869 .656"
#P80870 .75"
#P80871 .625"
#P80872 1"**

**Mobile Option
#P7500M**

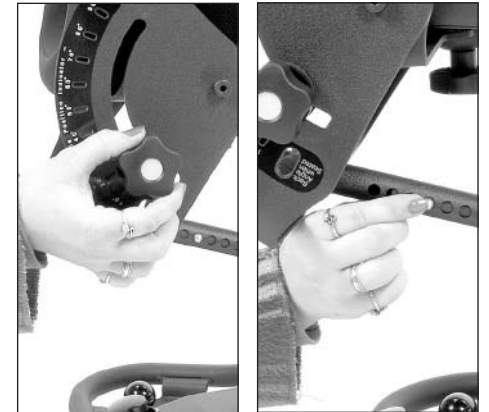


ITEM	QTY.	PART NO.	NAME	DESCRIPTION
1	2	91210	BOLT	BOLT 3/8-16 X 1-3/4 SHCS
2	2	91883	LOCKING PLUNGER	1/2-13 LOCKING PLUNGER
3	2	10003	BLACK END CAP	CAP .1875D 1.062L
4	2	91507	JAM NUT	NUT 1/2-13 JAM ZC NUT
5	2	92712	CAP	CAP 2D 10-14GA BLK
6	2	80455	MOBILE WHEEL ASSEMBLY	MOBILE WHEEL ASSEMBLY
7	2	80596	PUSH RIM WHEEL ASSEMBLY	PUSH RIM WHEEL ASSEMBLY
8	1	80812	PUSH RIM BRACKET	PT .375H 4.875W 15.875L
9	2	80410	V-BELT IDLER	PT 1.00OD .630ID .961L
10	2	80411	SHOULDER BOLT	BOLT 5/8" X 1" SHOULDER BOLT
11	4	91505	JAM NUT	PP NUT 1/2-13 JAM NYL INS L/N
12	2	91602	BUSHING (SHIM)	BUSHING 1/2" X 7/8" X 18 GA
13	2	80813	V-BELT V-80 BX54	V-BELT V-80 BX54
14	2	81124	BOLT	BOLT 1/2-13 X 2 SHCS
15	2	91881	CASTER 4" TWIN	CASTER 100MM/4" BLK TWIN W/BRK
16	1	7080	7500 CLEAR TABLE	7500 CLEAR TABLE

For your reference, there is a seat depth indicator window located under the seat.



To adjust the back angle, be sure the secondary locking knob is loose. Depress the spring button on the adjustment tube and move the back in the desired position.



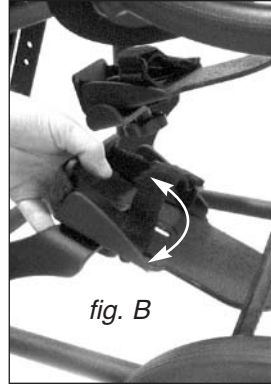
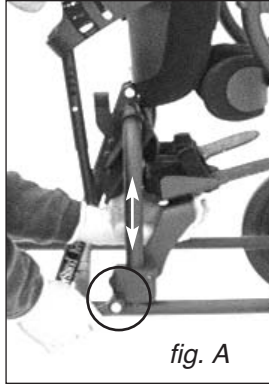
Adjust the back so the green angle indicator shows in the indicator window while the unit is in the seated position.

Note: Three angles (-5°, 0°, +5°) are available for each seat depth position.



Footplates Height/Angle

To adjust the angle and height of the footplates loosen the knobs (fig. A). Move footplates to desired position (fig. B). Tighten securely.



Footplates Swivel/Depth

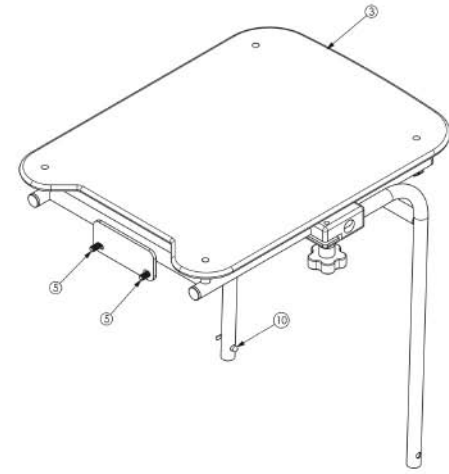
To adjust swivel, or depth, loosen the knob under the footplates (fig. C). Move to desired position (fig. D) and tighten securely.



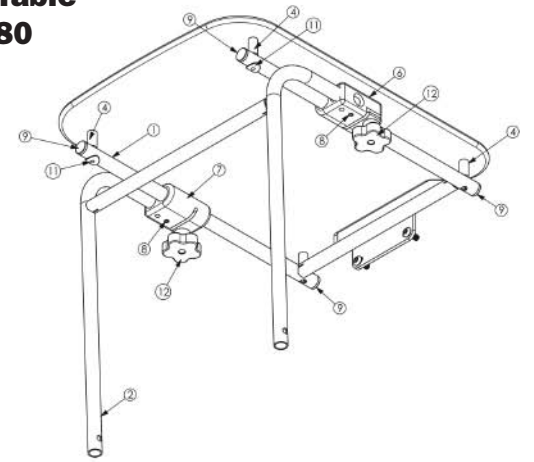
Footplates Inverted

For taller children you may need to invert the footplates. Remove the quick adjust knob and allen head bolt. Take the left footplate, bracket and clamp, invert it top to bottom and mount on the right side. Remove footplate and mount on the top. Repeat process for the other side.

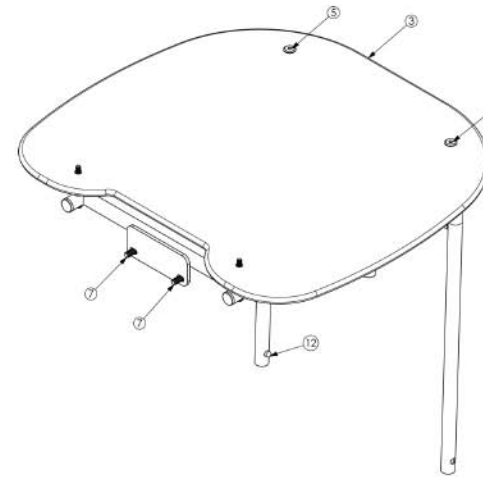
NOTE: Do not over tighten allen head bolt.



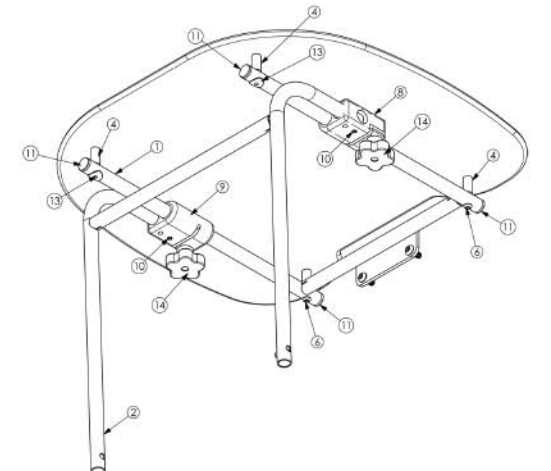
**Mobile Table
#P7080**



ITEM QTY	PART NO.	NAME	DESCRIPTION	
1	1	77901	TABLE TOP	WELDMENT TABLE TOP
2	1	77900	LOWER TABLE	WELDMENT LOWER TABLE
3	1	90672	CLEAR ACRYLIC TOP 7500	PT. 375H 1.6, 1.25W 20.00L
4	4	80796	TABLE EXTENSION	SPACER .50D .260ID 1.00L
5	2	91102	BOLT	BOLT 5/16-18 X 3/4 BTN SHCS
6	1	10296	HORIZONTAL TABLE SLIDE CLAMP RH	1.375H 2.125W 3.00L
7	1	10297	HORIZONTAL TABLE SLIDE CLAMP LH	1.375H 2.125W 3.00L
8	2	10784	CUP PT SET SCREW	BOLT 5/16-18 X 3/8 SSS CUP PT
9	4	10071	75 RND CAP	CAP .75D 1.4-20 GA BLK RND
10	1	92901	SNAP BUTTON	SPRING BC-150-D W/DOME HEAD
11	2	80797	ROUND BASE WELD NUT	PP NUT 1/4-20 X 9/16 CURVED FLANGE UP
12	2	80915	5/16"-18 X 1 1/4 5 PT KNOB	KNOB 5/16"-18 X 1 1/4 2C 5 PT

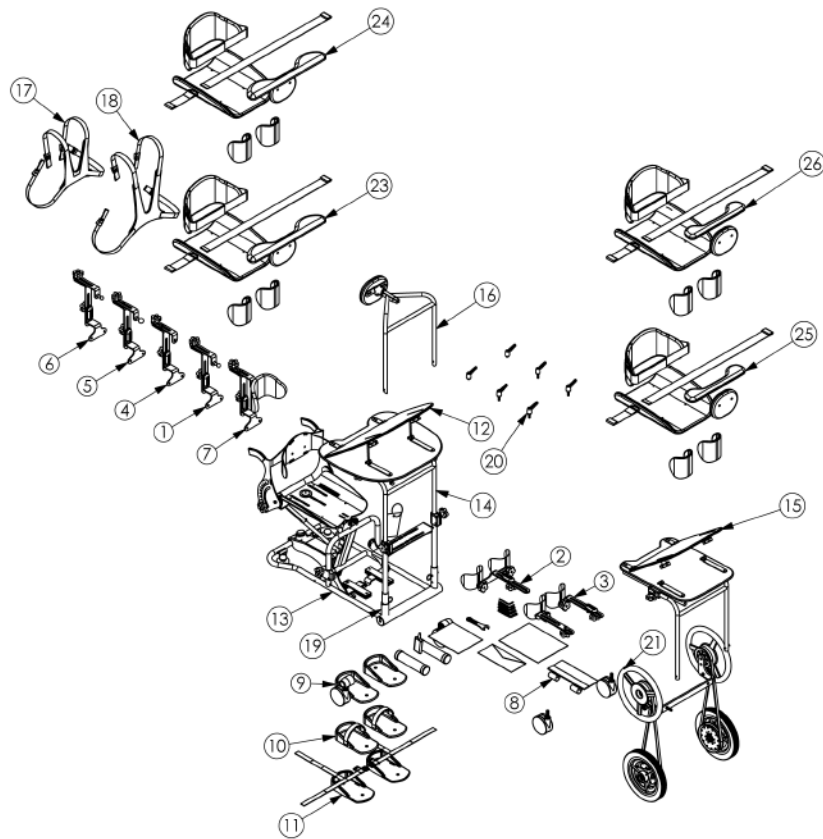


**Standard Table
#P7070**



ITEM QTY	PART NO.	NAME	DESCRIPTION	
1	1	77901	TABLE TOP	WELDMENT TABLE TOP
2	1	77900	LOWER TABLE	WELDMENT LOWER TABLE
3	1	90671	CLEAR ACRYLIC TOP 7000	PT. 375H 20.00W 22.50L
4	4	80796	TABLE EXTENSION	SPACER .50D .260ID 1.00L
5	2	80394	BOLT	BOLT 1/4D UNC 2 SHCS BLK ZC
6	2	80798	BOLT	BOLT 1/4-20 X 2.50 BTN SHCS
7	2	91102	BOLT	BOLT 5/16-18 X 3/4 BTN SHCS
8	1	10296	HORIZONTAL TABLE SLIDE CLAMP RH	1.375H 2.125W 3.00L
9	1	10297	HORIZONTAL TABLE SLIDE CLAMP LH	1.375H 2.125W 3.00L
10	2	10784	CUP PT SET SCREW	BOLT 5/16-18 X 3/8 SSS CUP PT
11	4	10071	75 RND CAP	CAP .75D 1.4-20 GA BLK RND
12	1	92901	SNAP BUTTON	SPRING BC-150-D W/DOME HEAD
13	2	80797	ROUND BASE WELD NUT	PP NUT 1/4-20 X 9/16 CURVED FLANGE UP
14	2	80915	5/16"-18 X 1 1/4 5 PT KNOB	KNOB 5/16"-18 X 1 1/4 2C 5 PT

Magician•ei Parts Overview



ITEM	QTY.	PART NO.	NAME	DESCRIPTION
1	1	80870	HEADREST BALL ADAPTER-WHITMYER	HEADREST BALL ADAPTER-WHITMYER
2	1	81070	MAGICIAN NON-INDEPENDENT KNEE	MAGICIAN NON-INDEPENDENT KNEE
3	1	81071	MAGICIAN INDEPENDENT KNEE	MAGICIAN INDEPENDENT KNEE
4	1	80871	HEADREST BALL ADAPTER-WHITMYER	HEADREST BALL ADAPTER-WHITMYER
5	1	80872	HEADREST BALL ADAPTER-OTTO BOCK	HEADREST BALL ADAPTER-OTTO BOCK
6	1	80869	HEADREST BALL ADAPTER-STEALTH	HEADREST BALL ADAPTER-STEALTH
7	1	81074	7000F HEAD SUPPORT	7000F HEAD SUPPORT
8	1	80809	TOOL POUCH	POUCH TOOL
9	1	80637	FOOT HOLDERS 7000	FOOT HOLDERS 7000
10	1	80636	FOOT STRAP W/HOLDERS 7000	FOOT STRAP W/HOLDERS 7000
11	1	80615	SECURE FOOT STRAP OPTION 7000/7500	SECURE FOOT STRAP OPTION 7000/7500
12	1	80998	TABLE TILT 7000	TABLE TILT 7000
13	1	7000F	MAGICIAN 7000	MAGICIAN 7000
14	1	7070	7000 CLEAR TABLE	7000 CLEAR TABLE
15	1	80999	TABLE TILT 7500	TABLE TILT 7500
16	1	7060B	7000/7500 NO-TABLE OPTION	7000/7500 NO-TABLE OPTION
17	1	81149	STRAP CHEST VEST SM EI	STRAP CHEST VEST SM EI
18	1	81150	STRAP CHEST VEST MED EI	STRAP CHEST VEST MED EI
19	1	5024	ES5000 TABLE SWING AWAY	ES5000 TABLE SWING AWAY
20	1	5070	QUICK ADJ TABLE HANDLES	QUICK ADJ TABLE HANDLES
21	1	7500M	7500 MOBILE OPTION	7500 MOBILE OPTION
22	1	5062	LOCKING CASTER	CASTER ASSEMBLY
23	1	81296	UPHOLSTRY-BLUE	UPHOLSTRY-BLUE
24	1	81315	FORM-TO-FIT-BLUE	FORM-TO-FIT-BLUE
25	1	81319	UPHOLSTRY-MOBILE, BLUE	UPHOLSTRY-MOBILE, BLUE
26	1	81320	FORM-TO-FIT-MOBILE, BLUE	FORM-TO-FIT-MOBILE, BLUE

Kneepads

The knee support should be snug when the user is in the seated position. Adjust the foot plates so that the user's knees are as close to the seat pivot point as possible. The knee pad can be adjusted in all directions.

Note: *If necessary, the knee pad bracket can be inverted on the frame for further adjustment.*

Loosen the knob located behind each kneepad to adjust height, width, and swivel.

Tighten securely.



Loosen the knob located under the kneepad bracket to adjust kneepad depth. If you have the independent kneepads, each kneepad will have a separate bracket and knob.

Tighten securely.



Table

While in the standing position, the front pad should support the user's upper body.

Adjust the tray height and depth for comfort. The front pad can be inverted as the adjustment holes are offset allowing further adjustment variations.

To adjust the table/front pad position, loosen the two knobs under the table. Slide table to desired position and tighten knobs securely.



To adjust table/front pad height, loosen the two knobs on the table support bracket. Move table to desired position and tighten knobs securely.

Note: When table reaches maximum height, a spring button will catch on one side. To continue adjusting, you must depress this spring button.



ITEM NO.	PART NO.	QTY.	NAME
1	81107	1	WELDMENT MAGICIAN BASE FRAME
2	81103	1	WELDMENT SEAT LOOP MAGICIAN
3	81106	1	WELDMENT KNEE MAGICIAN
4	92703	2	BALL CAP
5	92402	2	QUICK PIN
6	80758	1	SEX BOLT BARREL
7	91406	6	WASHER 3/8"ID X 3/4"OD NYLON BLACK
8	80757	1	BOLT
9	99103	2	MAGICIAN 7000 LABEL
10	80799	1	SNAP TIE 5" LG
11	10786	1	END USER INFO LABEL
12	10299	1	VERTICAL TABLE SLIDE CLAMP RH
13	10298	1	VERTICAL TABLE SLIDE CLAMP LH
14	10785	2	BOLT
15	80915	2	5/16"-18 X 1 1/4 5 PT KNOB
16	91210	2	BOLT
17	10045	1	FOOT REST CLAMP INNER RH
18	10046	1	FOOT REST CLAMP OUTER LH
19	10047	1	FOOT REST CLAMP INNER LH
20	10048	1	FOOT REST CLAMP OUTER RH
21	91206	2	BOLT
22	77201	1	R. FOOT BRACKET
23	77200	1	L. FOOT BRACKET
24	80617	2	3/8" CARRIAGE BOLT
25	91603	2	FLAT WASHER
26	80951	2	5/16" CARRIAGE BOLT
27	80912	2	BACK ADJ STOP
28	92406	4	KNOB 5/16-18 W/FEMALE 5 PT BLK
29	91502	3	JAM NUT
30	80981	3	KNOB 3/8"-16 FEMALE 5PT
31	80782	3	NYLON SPACER
32	80772	1	SEAT BACK BRACKET
33	80795	1	3/8" CARRIAGE BOLT
34	91101	2	BOLT
35	80236	2	BOLT 3/8" X 1/2" SHOULDER
36	80793	2	EI SEAT SLIDE RING
37	80887	4	NYLON WASHER
38	80844	1	CLEVIS PIN
39	53010	3	COVED WASHER
40	80918	1	WASHER RUBBER
41	80769	2	BACK ADJ STOP
42	80216	1	SHOULDER BOLT
43	80103	4	FLAT WASHER
44	92901	1	SNAP BUTTON
45	80620	4	BOLT
46	80827	1	BACK ADJUST LABEL
47	80794	1	EI BACK ADJ OUTSIDE CLAMP
48	91512	3	HEX NUT
49	10071	2	.75 RND CAP
50	80791	1	EI BACK ADJ INSIDE KNOB
51	80217	1	SHOULDER BOLT
52	80770	1	LABEL DEGREE INDICATOR
53	80789	1	EI FOLLOWING ARM
54	80790	1	BOTTOM SEAT BRACKET
55	80787	1	EI PIVOT ARM
56	80786	1	EI PIVOT TUBE BRACKET
57	80767	1	EI SEAT BRACKET
58	80768	1	EI BACK HEIGHT ADJ BRACKET
59	80828	1	SEAT ADJUST LABEL
60	90601	3	HAND GRIP
61	81136	2	KNOB
62	80407	1	UNIVERSAL TOOLKIT
63	10788	1	MULTI-WRENCH
64	80941	1	WARRANTY ENVELOPE
65	80940	1	WARRANTY REGISTRATION CARD
66	80927	1	MANUAL 7000EI
67	80905	2	E-RING
68	81168	2	JOINT CONNECTOR NUT
69	10765	1	SERIAL USA/CE NUMBER LABEL
70	81405	1	LABEL PATENT
71	81574	1	SILICON
72	81575	1	LOCTITE
73	82057	1	TRIGGER RELEASE ASSEMBLY
74	82069	1	BRACKET GAS SPRING EI
75	91501	1	JAM NUT
76	80950	1	BOLT
77	90103	1	GAS CYLINDER
78	81132	1	CLEVIS PIN
79	81064	1	FOOT MOUNT FOR PUMP
80	81052	1	MAGICIAN FOOT BUTTON W/8" CABLE
81	81135	4	BOLT
82	92303	1	5/16"-18 x 1.00 QUICK ADJ.
83	82068	1	HANDLE ASSIST COMFY SEAT

Magician•ei Parts Detail

Transferring & Table

If more room is needed for transferring, the table can swing away or be totally removed.

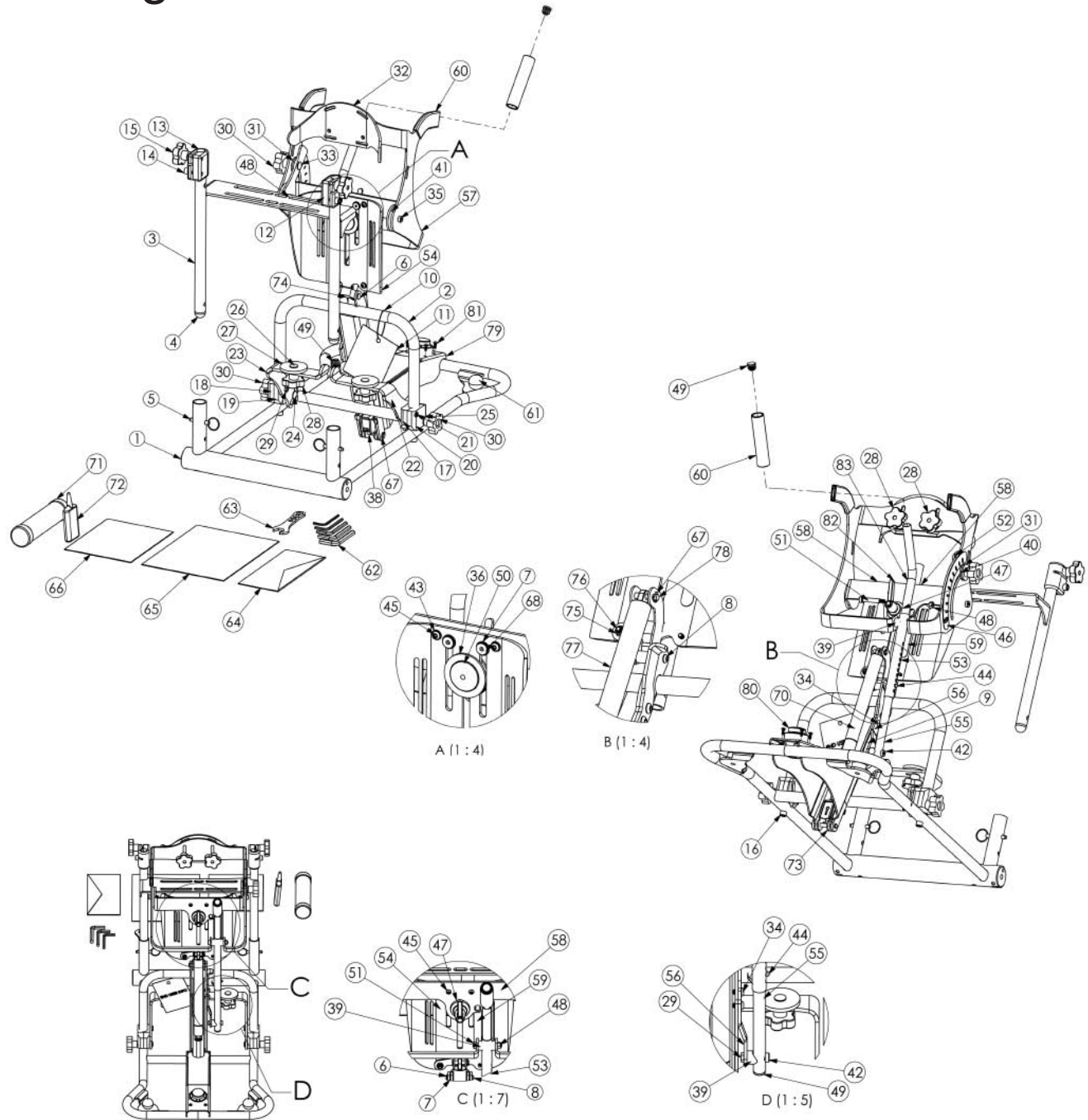
Pull the quick pins from the bottom of the table frame.

Warning: Never stand the user in the unit without the table fully installed and the quick pins in place.



Tighten the table support knobs securely and carefully lift the table to remove it, or leave one leg in as shown.

Note: An optional swing-away sleeve is available for ease of use.



Standing

To lift the table to the standing position, loosen the table support knobs, lift the table to the desired height, and tighten the knobs. Slide the table forward slightly and tighten the appropriate knobs.

Note: *If the user is in a multi-user environment or you feel that the foot actuator button may get depressed accidentally, tighten the secondary locking knob on the side of the unit.*



To stand the child, press the button on the base of the unit with your foot and lift gently on the handles. You can stop at any position. After the user is standing, you can readjust the table as needed.



To lower the child, press the button on the base of the unit with your foot and pull down on the assist handle as shown.



Mobile Option

Caution: *Do not use the mobile option on ramps, uneven surfaces, or outdoors.*

Before transferring the user into the EasyStand with the Mobile Option, make sure the casters and the push rim locking mechanisms are in the locked position. Use these locks when you want to keep the EasyStand stationary.



Maintenance and Storage

- Clean the EasyStand with a mild non-abrasive disinfectant or soap and water.
- The covering of the seat, back, knee, and headrest may be removed and hand washed in a mild soap and water, and air dried. Always use care when removing and replacing fabric covering.
- Periodically check your EasyStand to make sure all nuts, bolts, and adjustable parts are tightened securely.
- Store your EasyStand indoors at room temperature.