

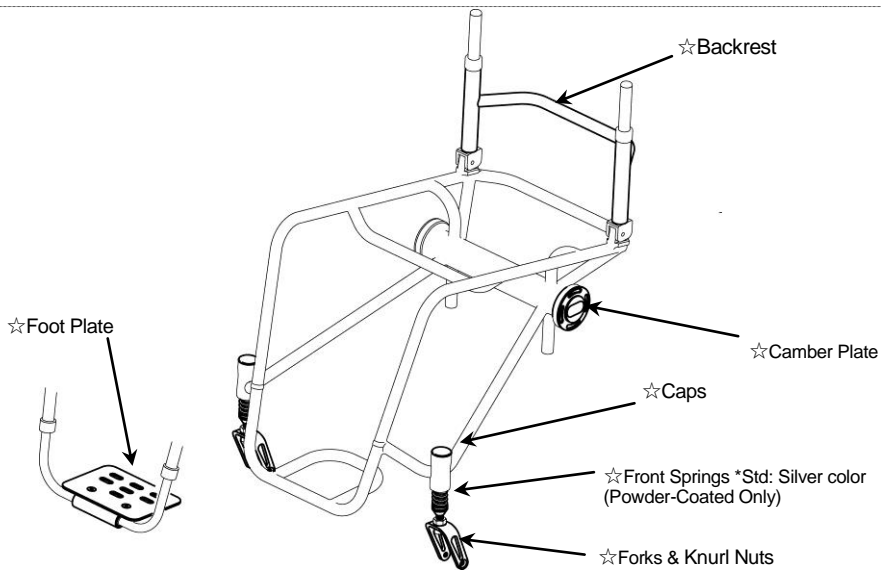
DEALER			COLOURS INFORMATION For Office Use Only		
Dealer:			Order Date:		S/N:
Account:		P.O.#:	<b>RTS</b>		
Ordered By:			RTS:		Phone:
Address:			Email:		
City:		State:	Zip:		<b>SHIP TO</b>
Phone:		Fax:	Name:		Ship Via:
Email:			Address:		
Customer Name:			City:		State:
Customer Weight:			Phone:		Fax:

CHAIR INFORMATION	PRICE
<b>ZEPHYR K0009</b>	Base Wheel Chair Price <b>K0009</b> \$ 3,799
<b>Fixed FSH-RSH</b>	Total Section <b>A</b> \$
<b>Max. Capacity 250Lbs</b>	Total Section <b>B</b> \$
NOTE	Total Section <b>C</b> \$
<b>Main Frame : ZK55 &amp; ZK60 High Grade A7000 Series Aluminum</b>	Total Section <b>D</b> \$
<b>Main Frame : Lifetime Warranty</b>	Total Section <b>E</b> \$
*See warranty policy	Total Section <b>F (Custom Parts Color)</b> \$
	<b>ORDER GRAND TOTAL</b> \$

**A FRAME COLORS & PARTS COLORS**

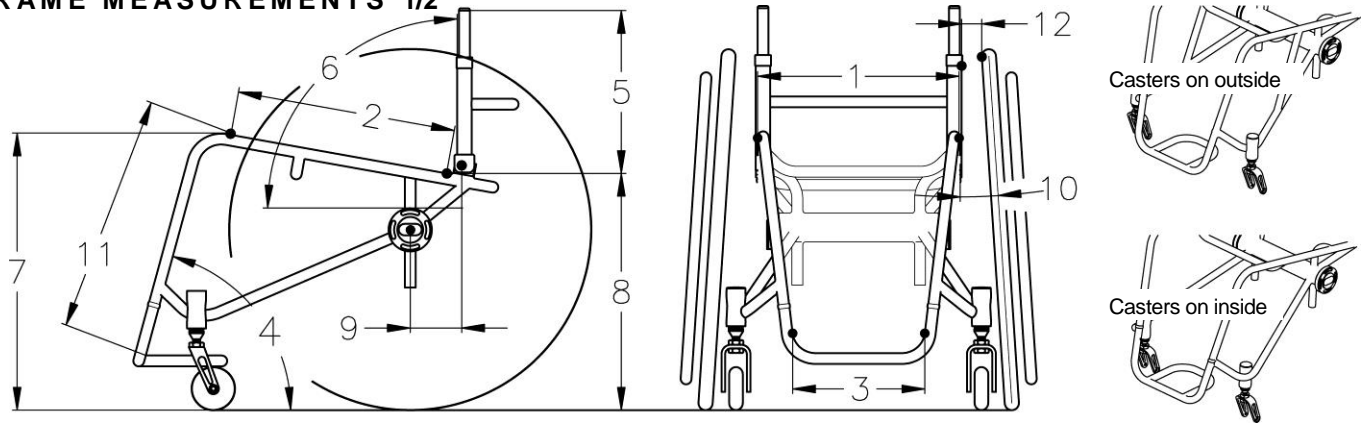
FRAME COLORS		
<b>Powder-Co</b>	<input type="checkbox"/> Gloss Black <input type="checkbox"/> Twilight Flake <input type="checkbox"/> Yellow <input type="checkbox"/> Magenta <input type="checkbox"/> Fire Engine Red <input type="checkbox"/> White <input type="checkbox"/> Candy Blue <input type="checkbox"/> Candy Purple <input type="checkbox"/> Candy Green <input type="checkbox"/> Candy Red <input type="checkbox"/> Candy Raspberry <input type="checkbox"/> Cobalt Blue <input type="checkbox"/> Matte Gray <input type="checkbox"/> Matte Purple <input type="checkbox"/> Matte Blue <input type="checkbox"/> Matte Green <input type="checkbox"/> Matte Black <input type="checkbox"/> Matte Red <input type="checkbox"/> Neon Red <input type="checkbox"/> Neon Green <input type="checkbox"/> Orange Sparkle <input type="checkbox"/> Mellon Yellow <input type="checkbox"/> Gun Smoke Silver <input type="checkbox"/> Pigeon Blue <input type="checkbox"/> Granny Sparkle Green <input type="checkbox"/> Sparkle Sky Blue <input type="checkbox"/> Vermilion <input type="checkbox"/> Reed Green <input type="checkbox"/> Blue Lilac	STD
<b>Special</b>	<input type="checkbox"/> Polished ..... <input type="checkbox"/> 24 karat Gold Plated .....	\$ 800 \$ CFP

PARTS COLORS ( Custom Parts Color Section, Please see Section F)		
<b>STD Color</b>	Black Color (*Suspension Springs-Silver Color)	\$ STD
<b>Custom Color Main Bolt on Parts One Color Package</b>	Including: Backrest, Foot Plate, Forks & Knurl Nuts, Caps, Front Suspension Springs, Camber Discs <input type="checkbox"/> Powder-Coated ( ) <input type="checkbox"/> Polished ..... ☆marked parts <input type="checkbox"/> 24 karat Gold Plated .....	\$ 340 \$ 460 \$ CFP



**Total Section A** \$

**B FRAME MEASUREMENTS 1/2**



<b>1. SEAT WIDTH</b>	<input type="checkbox"/> 12.0" <input type="checkbox"/> 12.5" <input type="checkbox"/> 13.0" <input type="checkbox"/> 13.5" <input type="checkbox"/> 14.0" <input type="checkbox"/> 14.5" <input type="checkbox"/> 15.0"   ..... <input type="checkbox"/> 15.5" <input type="checkbox"/> 16.0" <input type="checkbox"/> 16.5" <input type="checkbox"/> 17.0" <input type="checkbox"/> 17.5" <input type="checkbox"/> 18.0"	\$ STD								
<b>2. SEAT DEPTH</b>	<input type="checkbox"/> 12.0" <input type="checkbox"/> 13.0" <input type="checkbox"/> 14.0" <input type="checkbox"/> 15.0" <input type="checkbox"/> 16.0"* <input type="checkbox"/> 17.0"* <input type="checkbox"/> 18.0"* <input type="checkbox"/> 19.0"* ..... <input type="checkbox"/> 20"* ..... <b>E2203</b>	\$ STD \$ 300								
*16" - 20" seat depth has the extra support bars										
<b>POSITIONING FRAME</b>	Add <input type="checkbox"/> 0" <input type="checkbox"/> 1" <input type="checkbox"/> 2" <input type="checkbox"/> 3" <input type="checkbox"/> 4" <input type="checkbox"/> 5" ..... 	\$ STD								
<b>FRAME STYLE</b>	<input type="checkbox"/> V-Taper <input type="checkbox"/> Taper on Bottom <input type="checkbox"/> Taper on Top <input type="checkbox"/> Taper Seat Sling <input type="checkbox"/> No Taper 	\$ STD								
<b>CASTER POSITION</b>	<input type="checkbox"/> Casters on Inside <input type="checkbox"/> Casters on Outside .....	\$ STD								
<b>3. FOOTREST WIDTH</b>	(                   " ) ..... *No Taper= Your Seat Width Minus 1.5"	\$ STD								
<b>FOOT PLATE STYLE</b>	<input type="checkbox"/> <b>Welded Tubular Footrest</b> * Must Specify Measurement  *Measurement must be 2.5" shorter than your Footrest Width <input type="checkbox"/> <b>Welded Tubular Footrest w/ABS Foot Plate</b> <input type="checkbox"/> <b>Single Loop Adjustable Footrest</b> with adjust. height & angle. STD Foot Plate *Adj. Height range = Plus/Minus 1.5"  <table border="1"> <thead> <tr> <th>Your Footrest Width</th> <th>Foot Plate Size</th> </tr> </thead> <tbody> <tr> <td>8.5"-10.5"</td> <td>W6.5"xD5"</td> </tr> <tr> <td>11.0"-13.0"</td> <td>W8.5"xD6.5"</td> </tr> <tr> <td>13.5"-17.5"</td> <td>W11"xD6.5"</td> </tr> </tbody> </table> <input type="checkbox"/> <b>Inside Mount Standard single loop</b> with adjust. height & angle. STD Foot Plate *Adj. Height range = Plus/Minus 1.5" 	Your Footrest Width	Foot Plate Size	8.5"-10.5"	W6.5"xD5"	11.0"-13.0"	W8.5"xD6.5"	13.5"-17.5"	W11"xD6.5"	\$ STD \$ 120 \$ 267 \$ 280
Your Footrest Width	Foot Plate Size									
8.5"-10.5"	W6.5"xD5"									
11.0"-13.0"	W8.5"xD6.5"									
13.5"-17.5"	W11"xD6.5"									
<b>4. FRAME ANGLE</b>	<input type="checkbox"/> 75° <input type="checkbox"/> 80° <input type="checkbox"/> 85° <input type="checkbox"/> 90° to the ground <input type="checkbox"/> Custom (                   ° ) to the ground .....	\$ STD \$ NCO								

**B FRAME MEASUREMENTS 2/2**

<b>5. BACKREST HEIGHT</b>	<input type="checkbox"/> 8" <input type="checkbox"/> 9" <input type="checkbox"/> 10" <input type="checkbox"/> 11" <input type="checkbox"/> 12" <input type="checkbox"/> 13" <input type="checkbox"/> 14" <input type="checkbox"/> 15" <input type="checkbox"/> 16" <input type="checkbox"/> 17" <input type="checkbox"/> 18"	\$ STD																		
* Rigidizer bar 3.25" deep std. <span style="margin-left: 100px;">Adj. Range</span> <span style="margin-left: 100px;">Adj. Range</span>																				
<b>BACKREST TYPE</b>	<input type="checkbox"/> <b>Folding with adjust height &amp; angle (STD)</b> *Not available w/Welded Side Guards	\$ STD																		
	<input type="checkbox"/> <b>Locking mechan. with adjust. height &amp; angle</b> *Not available w/Taper Seat Sling Frame *Not available w/Welded Side Guards	\$ 250																		
	<input type="checkbox"/> <b>Welded Backrest</b> *Non Folding , Non adjust. height & angle only	\$ 150																		
<b>CUSTOM</b>	<input type="checkbox"/> <b>Welded Side Guards</b> * Welded Backrest only ..... *Must specify Height & Length	\$ 450																		
	<input type="checkbox"/> <b>Custom Backrest</b> ..... (ie: double rigidizer bars, custom depth, Custom Height, etc)	\$ 150																		
<b>6. BACKREST ANGLE</b>	Set at (                      °) to the ground    *STD 90°	\$ STD																		
<b>7. FRONT SEAT HEIGHT</b>	<input type="checkbox"/> 15.5" <input type="checkbox"/> 16.0" <input type="checkbox"/> 16.5" <input type="checkbox"/> 17.0" <input type="checkbox"/> 17.5" <input type="checkbox"/> 18.0" <input type="checkbox"/> 18.5" ..... <input type="checkbox"/> 19.0" <input type="checkbox"/> 19.5" <input type="checkbox"/> 20.0" <input type="checkbox"/> 20.5" <input type="checkbox"/> 21.0" <input type="checkbox"/> 21.5" <input type="checkbox"/> 22.0"	\$ STD																		
Front Seat Height Ranges <table border="1" style="float:right; margin-left: 20px;"> <thead> <tr> <th>Caster Wheel Size</th> <th>Front Seat Height</th> </tr> </thead> <tbody> <tr> <td>3" Caster</td> <td>15.5" - 21.0"</td> </tr> <tr> <td>4" Caster</td> <td>16.0" - 21.5"</td> </tr> <tr> <td>5" Caster</td> <td>16.5" - 22.0"</td> </tr> </tbody> </table>			Caster Wheel Size	Front Seat Height	3" Caster	15.5" - 21.0"	4" Caster	16.0" - 21.5"	5" Caster	16.5" - 22.0"										
Caster Wheel Size	Front Seat Height																			
3" Caster	15.5" - 21.0"																			
4" Caster	16.0" - 21.5"																			
5" Caster	16.5" - 22.0"																			
<b>8. REAR SEAT HEIGHT</b>	<input type="checkbox"/> 14.0" <input type="checkbox"/> 14.5" <input type="checkbox"/> 15.0" <input type="checkbox"/> 15.5" <input type="checkbox"/> 16.0" <input type="checkbox"/> 16.5" <input type="checkbox"/> 17.0" <input type="checkbox"/> 17.5" ..... <input type="checkbox"/> 18.0" <input type="checkbox"/> 18.5" <input type="checkbox"/> 19.0" <input type="checkbox"/> 19.5" <input type="checkbox"/> 20.0" <input type="checkbox"/> 20.5" <input type="checkbox"/> 21.0" <input type="checkbox"/> 21.5"	\$ STD																		
Rear Seat Height Ranges <table border="1" style="float:right; margin-left: 20px;"> <thead> <tr> <th>Rear Tire Size</th> <th>Rear Seat Height</th> </tr> </thead> <tbody> <tr> <td>24" Wheel (540)</td> <td>14.0" - 21.0"</td> </tr> <tr> <td>25" Wheel (559)</td> <td>15.0" - 21.5"</td> </tr> <tr> <td>26" Wheel (590)</td> <td>15.5" - 21.5"</td> </tr> </tbody> </table>			Rear Tire Size	Rear Seat Height	24" Wheel (540)	14.0" - 21.0"	25" Wheel (559)	15.0" - 21.5"	26" Wheel (590)	15.5" - 21.5"										
Rear Tire Size	Rear Seat Height																			
24" Wheel (540)	14.0" - 21.0"																			
25" Wheel (559)	15.0" - 21.5"																			
26" Wheel (590)	15.5" - 21.5"																			
<b>9. CENTER OF GRAVITY</b>	<input type="checkbox"/> 1.0" <input type="checkbox"/> 1.5" <input type="checkbox"/> 2.0" <input type="checkbox"/> 2.5" <input type="checkbox"/> 3.0" <input type="checkbox"/> 3.5" <input type="checkbox"/> 4.0" ..... <input type="checkbox"/> 4.5" <input type="checkbox"/> 5.0" <input type="checkbox"/> 5.5" <input type="checkbox"/> 6.0" <input type="checkbox"/> 6.5" <input type="checkbox"/> 7.0"	\$ STD																		
Center of Gravity Ranges <table border="1" style="float:right; margin-left: 20px;"> <thead> <tr> <th>Your Seat Depth</th> <th>Center of Gravity</th> </tr> </thead> <tbody> <tr><td>12.0"</td><td>1.0" - 1.5"</td></tr> <tr><td>13.0"</td><td>1.0" - 2.5"</td></tr> <tr><td>14.0"</td><td>1.0" - 3.5"</td></tr> <tr><td>15.0"</td><td>1.0" - 4.5"</td></tr> <tr><td>16.0"</td><td>1.0" - 6.0"</td></tr> <tr><td>17.0"</td><td>1.0" - 6.0"</td></tr> <tr><td>18.0"</td><td>1.0" - 7.0"</td></tr> <tr><td>19.0"</td><td>1.0" - 7.0"</td></tr> </tbody> </table>			Your Seat Depth	Center of Gravity	12.0"	1.0" - 1.5"	13.0"	1.0" - 2.5"	14.0"	1.0" - 3.5"	15.0"	1.0" - 4.5"	16.0"	1.0" - 6.0"	17.0"	1.0" - 6.0"	18.0"	1.0" - 7.0"	19.0"	1.0" - 7.0"
Your Seat Depth	Center of Gravity																			
12.0"	1.0" - 1.5"																			
13.0"	1.0" - 2.5"																			
14.0"	1.0" - 3.5"																			
15.0"	1.0" - 4.5"																			
16.0"	1.0" - 6.0"																			
17.0"	1.0" - 6.0"																			
18.0"	1.0" - 7.0"																			
19.0"	1.0" - 7.0"																			
<b>10. CAMBER ANGLE</b>	<input type="checkbox"/> 2° <input type="checkbox"/> 4° <input type="checkbox"/> 6° <input type="checkbox"/> 8° <input type="checkbox"/> 10 .....	\$ STD																		
<b>11. FRONT OF SLING SEAT TO FRONT OF FOOTREST</b>	<input type="checkbox"/> 14.0" <input type="checkbox"/> 14.5" <input type="checkbox"/> 15.0" <input type="checkbox"/> 15.5" <input type="checkbox"/> 16.0" <input type="checkbox"/> 16.5" <input type="checkbox"/> 17.0" ..... <input type="checkbox"/> 17.5" <input type="checkbox"/> 18.0" <input type="checkbox"/> 18.5" <input type="checkbox"/> 19.0" <input type="checkbox"/> 19.5" <input type="checkbox"/> 20.0" <input type="checkbox"/> 20.5"	\$ STD																		
<b>12. INSIDE WHEEL CLEARANCE</b>	<input type="checkbox"/> 3/4 <input type="checkbox"/> 1" <input type="checkbox"/> 1 1/4" <input type="checkbox"/> 1 1/2" <input type="checkbox"/> 1 3/4" <input type="checkbox"/> 2" .....	\$ STD																		
<b>NOTE</b> Zephyr is a custom made wheelchair. If you would like to customize your Zephyr beyond what is available on this order form, please submit your request here. Colours will determine as to whether this request can be accomplished while maintaining the safety and integrity of the wheelchair. If it can be accomplished the quote will reflect any and all custom charges, thank you.																				
Sub Total Section B 1/2		\$																		
Sub Total Section B 2/2		\$																		
<b>Total Section B</b>		<b>\$</b>																		

**C WHEELS, TIRES & CASTERS, FORKS 1/2**

<b>WHEELS</b>		
<b>Standard Radial Spoke Wheel</b>	<input type="checkbox"/> 24" (540) Only	\$ STD
<b>Heat-Treated Wheel</b>	<input type="checkbox"/> 24" (540) <input type="checkbox"/> 25" (559) <input type="checkbox"/> 26" (590)	\$ 250
<b>Cross Knot Laced Spokes</b>	<input type="checkbox"/> 24" (540) <input type="checkbox"/> 25" (559) <input type="checkbox"/> 26" (590)	\$ 250
<b>Twister Super Strength Wheel</b>	<input type="checkbox"/> 24" (540) <input type="checkbox"/> 25" (559) <input type="checkbox"/> 26" (590)	\$ 300
<b>SUN Fusion 16 Wheel</b>	<input type="checkbox"/> 24" (540) <input type="checkbox"/> 25" (559)	\$ 410
16 Black Spokes	Hub Color <input type="checkbox"/> Black <input type="checkbox"/> Silver	
<b>Y-360 Billet Wheels</b>	<input type="checkbox"/> 24" (540) <input type="checkbox"/> 25" (559)	\$ 999
*Max. Capacity 220Lbs   *Camber 0- 2° max *Not for Sports or Rugged use	Style <input type="checkbox"/> Saw Blade <input type="checkbox"/> Hearts(25"only) <input type="checkbox"/> T-Style(25"only)	
<b>Y-360 Billet Wheels MOD Style</b>	<input type="checkbox"/> 25" (559) Only	\$ 1,499
*Max. Capacity 220Lbs   *Camber 0- 2° max *Not for Sports or Rugged use	Style <input type="checkbox"/> Tribal Sun <input type="checkbox"/> Girls <input type="checkbox"/> Eagle <input type="checkbox"/> Holy Cross <input type="checkbox"/> Hono	
	Specify Powder Coat Color for Insert Only (   )   *Choose from Frame Colors	
<b>Extra Options for Y-360</b>	<input type="checkbox"/> Spinners Clover ( <b>\$650 up charge</b> ) <input type="checkbox"/> Powder-Coated Spokes Only (   ) *Choose from Frame Colors ( <b>\$150 up charge</b> )	
<b>X-Core (3 Spokes comp)</b>	<input type="checkbox"/> 25" (559) Only	\$ 743
*Camber 0- 2° max *Not available with D's Lock *Not available with long tabs	Wheel Color <input type="checkbox"/> Black <input type="checkbox"/> Yellow <input type="checkbox"/> Blue <input type="checkbox"/> Red <input type="checkbox"/> White	\$ 943
<b>Spinergy Spox</b>	<input type="checkbox"/> 24" (540) <input type="checkbox"/> 25" (559) <input type="checkbox"/> 26" (590)	\$ 695
<b>18 Spokes</b>	Spoke Color <input type="checkbox"/> Black <input type="checkbox"/> Red <input type="checkbox"/> Yellow <input type="checkbox"/> Blue <input type="checkbox"/> White	
	With Silver Hub   With Black Hub   With Black Hub   With Black Hub   With Black Hub	
	<input type="checkbox"/> Custom Color Spoke Pattern	
	Left Wheel   Right Wheel	
	Spokes   Inside	
	Color   Outside	
	Hub Color <input type="checkbox"/> Black/ <input type="checkbox"/> Silver <input type="checkbox"/> Black/ <input type="checkbox"/> Silver	\$ 795
<b>Spinergy LX</b>	<input type="checkbox"/> 24" (540) <input type="checkbox"/> 25" (559) <input type="checkbox"/> 26" (590)	\$ 895
<b>12 Spokes</b>	Spoke Color <input type="checkbox"/> Black <input type="checkbox"/> Red <input type="checkbox"/> Yellow <input type="checkbox"/> Blue	
	With Silver Hub   With Black Hub   With Black Hub   With Black Hub	
	<input type="checkbox"/> White <input type="checkbox"/> Neon Green <input type="checkbox"/> Pink <input type="checkbox"/> Orange	
	With Black Hub   With Black Hub   With Black Hub   With Black Hub	
	<input type="checkbox"/> Custom Color Spoke Pattern	
	Left Wheel   Right Wheel	
	Spokes   Inside	
	Color   Outside	
	Hub Color <input type="checkbox"/> Black/ <input type="checkbox"/> Silver <input type="checkbox"/> Black/ <input type="checkbox"/> Silver	\$ 995
<b>Topolino Cabon Core WX2.5 Wheels</b>	Black Spokes Only <input type="checkbox"/> 24" (540) <input type="checkbox"/> 25" (559)   *Max. Capacity 220Lbs	\$ 1,095
*Not available with D's Lock	Nipples Color <input type="checkbox"/> Red <input type="checkbox"/> Yellow	
<b>Pro Wheels</b>	<input type="checkbox"/> 24" (540) <input type="checkbox"/> 25" (559)	\$ 825
w/ Aluminum Color Anodized Handrim *Not available with D's Lock	Spoke & Handrim Color <input type="checkbox"/> Anodized Black <input type="checkbox"/> Anodized Red <input type="checkbox"/> Anodized Blue	
<b>HANDRIMS</b>		
<b>Type</b>	<input type="checkbox"/> <b>Standard</b> For 24", 25" or 26" Wheel   Anodized Black   (*Not available with Pro Wheels)	\$ STD
	<input type="checkbox"/> <b>Vinyl Coated</b> For 24", 25", 26" Wheel   (*Not available with Pro Wheels)	\$ 142
	<input type="checkbox"/> <b>Natural Fit</b> For 24", 25" Wheel	
	<input type="checkbox"/> Standard Grip (Not available with short tabs. Not available with Y-360 Billet Wheels, X-Core, Topolino Wheels, Pro Wheels, Mag Wheels)	\$ 295
	<input type="checkbox"/> Super Grip (Not available with short tabs. Not available with Y-360 Billet Wheels, X-Core, Topolino Wheels, Pro Wheels, Mag Wheels)	\$ 340
	<input type="checkbox"/> Without Thumb Grip ( Not available with Y-360 Billet Wheels, Not available with Pro Wheels, Mag Wheels)	\$ 270
	<input type="checkbox"/> <b>Natural Fit (LT)</b> For 24", 25" Wheel	
	<input type="checkbox"/> Standard Grip (Not available with short tabs. Not available with Y-360 Billet Wheels, X-Core, Topolino Wheels, Pro Wheels, Mag Wheels)	\$ 325
	<input type="checkbox"/> Super Grip (Not available with short tabs. Not available with Y-360 Billet Wheels, X-Core, Topolino Wheels, Pro Wheels, Mag Wheels)	\$ 370
	<input type="checkbox"/> Without Thumb Grip ( Not available with Y-360 Billet Wheels, Not available with Pro Wheels, Mag Wheels)	\$ 300
	<input type="checkbox"/> <b>The Surge Handrims</b> * Not available with Y-360 Billet Wheels   * w / X-Core Wheels required Installation fee ( <b>\$30</b> ) flat fee	\$ 315
	<input type="checkbox"/> <b>The Surge Handrims (LT)</b> * Not available with Y-360 Billet Wheels   * w / X-Core Wheels required Installation fee ( <b>\$30</b> ) flat fee	\$ 340
	<input type="checkbox"/> <b>Spinergy Flex Rim</b> Available only on 24" and 25" Spinergy LX.	\$ 495
	<input type="checkbox"/> <b>Projections Handrims</b> *Not available with Y-360 Billet Wheels, X-Core, Topolino Wheels, Pro Wheels, Mag Wheels) <b>E0967</b>	\$ CFP
	*Call For Availability	
<b>TAB LENGTH</b>	<input type="checkbox"/> Long Tab ( <b>STD</b> inside clearance 3/4") * Not available with X-Core Wheels	\$ STD
	<input type="checkbox"/> Short Tab (Inside clearance 1/2") *Not available with Ultra Grip and Natural Fit Handrim with thumb grip	\$ STD
	<input type="checkbox"/> Short Tab (Set closest to wheel cut off excess) * Not available with Y-360 wheel, Pro Wheels, X-Core, Pro Wheels	\$ 15

**C WHEELS, TIRES & CASTERS, FORKS 2/2**

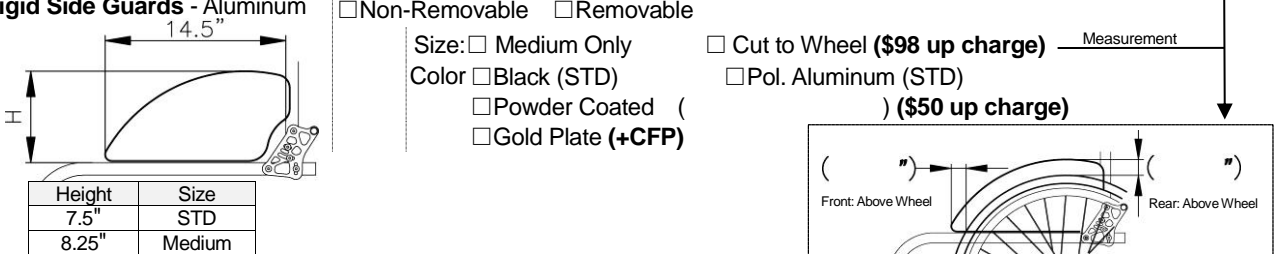
TIRES			
<input type="checkbox"/> High Pressure Tire	<input type="checkbox"/> 24"x1", <input type="checkbox"/> 25"x1" or <input type="checkbox"/> 26"x1"	Gray Tire with black wall Only	E2211/E2212 \$ STD
<input type="checkbox"/> High Pressure Tire	<input type="checkbox"/> 24"x1", <input type="checkbox"/> 25"x1" or <input type="checkbox"/> 26"x1"	<input type="checkbox"/> Blue <input type="checkbox"/> Red	E2211/E2212 \$ 65
<input type="checkbox"/> Low Pressure Tire	<input type="checkbox"/> 24"x1-3/8" or <input type="checkbox"/> 26"x1-3/8"	Gray Only	E2211/E2212 \$ STD
<input type="checkbox"/> E2211 Schwalbe Marathon Plus High Pressure Tire	<input type="checkbox"/> 24"x1", <input type="checkbox"/> 25"x1" or <input type="checkbox"/> 26"x1"	Black Only	E2211/E2212 \$ 99
<input type="checkbox"/> Solid Tire	<input type="checkbox"/> 24"x1", <input type="checkbox"/> 25"x1" or <input type="checkbox"/> 26"x1"	<input type="checkbox"/> Dark Gray <input type="checkbox"/> Black( \$30up charge )	E2218 \$ 135
<input type="checkbox"/> E2211 Moderate V-Track Knobby Tire	24"x1-3/8" (37-540)	Gray Only	E2211/E2212 \$ 117
<input type="checkbox"/> E2211 Aggressive Knobby Tire	24"x 2" (50-540)	Gray Only	E2211/E2212 \$ 117
<input type="checkbox"/> E2211 Aggressive Knobby Tire	26"x 1.95" (50-559)	Black Only	E2211/E2212 \$ 117
<input type="checkbox"/> E2213 Flat-Free Inserts For 24"x1-3/8" Tires Only			E2211/E2213 \$ 117

CASTERS					
SIZE	TIRE WIDTH	HUB COLOR	TIRE COLOR	DESCRIPTION	
<input type="checkbox"/> 3"	1"	Black Hub	Black Tire Only	Polyeurathane	\$ STD
<input type="checkbox"/> 3"	1"	Plastic Black Hub	Clear Tire Only	Lighted, Polyeurathane	\$ 65
<input type="checkbox"/> 3"	1"	Red Hub	Red Tire Only	Polyeurathane	\$ STD
<input type="checkbox"/> 3"	1"	Black Hub	Clear Tire Only	Polyeurathane	\$ STD
<input type="checkbox"/> 3"	1"	Aluminum Silver Hub	Black Tire Only	Made By Flog Legs	\$ 165
<input type="checkbox"/> 3"	1"	Aluminum Black Hub	Black Tire Only	Made By Flog Legs	\$ 165
<input type="checkbox"/> 3"	1.5"	Aluminum Silver Hub	Black Tire Only	Soft Roll Made By Flog Legs	\$ 165
<input type="checkbox"/> 3"	1.5"	Aluminum Black Hub	Black Tire Only	Soft Roll Made By Flog Legs	\$ 165
<input type="checkbox"/> 4"	1"	Plastic Black Hub	Black Tire Only		\$ STD
<input type="checkbox"/> 4"	1"	Plastic Black Hub	Clear Only	Lighted, Polyeurathane	\$ 65
<input type="checkbox"/> 4"	1"	Plastic Black Hub	Black Tire Only	Made By Flog Legs	\$ 125
<input type="checkbox"/> 4"	1"	Aluminum Silver Hub	Black Tire Only	Made By Flog Legs	\$ 165
<input type="checkbox"/> 4"	1"	Aluminum Black Hub	Black Tire Only	Made By Flog Legs	\$ 165
<input type="checkbox"/> 4"	1.5"	Composite Black Hub	Tire <input type="checkbox"/> Black <input type="checkbox"/> Blue <input type="checkbox"/> Red	Soft Roll Made By Flog Legs	\$ 135
<input type="checkbox"/> 4"	1.5"	Aluminum Silver Hub	Tire <input type="checkbox"/> Black <input type="checkbox"/> Blue <input type="checkbox"/> Red	Soft Roll Made By Flog Legs	\$ 165
<input type="checkbox"/> 4"	1.5"	Aluminum Black Hub	Black Tire Only	Soft Roll Made By Flog Legs	\$ 165
<input type="checkbox"/> 5"	1"	Composite Black Hub	Black Tire Only		\$ STD
<input type="checkbox"/> 5"	1"	Plastic Black Hub	Clear Tire Only	Lighted, Polyeurathane	\$ 65
<input type="checkbox"/> 5"	1"	Composite Black Hub	Black Tire Only	Made By Flog Legs	\$ 125
<input type="checkbox"/> 5"	1"	Aluminum Silver Hub	Black Tire Only	Made By Flog Legs	\$ 165
<input type="checkbox"/> 5"	1"	Aluminum Black Hub	Black Tire Only	Made By Flog Legs	\$ 165
<input type="checkbox"/> 5"	1.5"	Composite Black Hub	Tire <input type="checkbox"/> Black <input type="checkbox"/> Blue <input type="checkbox"/> Red	Soft Roll Made By Flog Legs	\$ 135
<input type="checkbox"/> 5"	1.5"	Aluminum Silver Hub	Tire <input type="checkbox"/> Black <input type="checkbox"/> Blue <input type="checkbox"/> Red	Soft Roll Made By Flog Legs	\$ 165
<input type="checkbox"/> 5"	1.5"	Aluminum Black Hub	Black Tire Only	Soft Roll Made By Flog Legs	\$ 165

FORKS			
<input type="checkbox"/> STD Aluminum Forks	Black Only		\$ STD
Extra Options for Aluminum Forks	<input type="checkbox"/> With Suspension Springs	E1015	\$ 55
	<input type="checkbox"/> With Quick Release Axles	K0073	\$ 107
<input type="checkbox"/> Frog Leg Suspension Forks Std 1" Wide	(For 3", 4" x 1" width Caster and 5" STD Caster, 5" lighted Caster)	(Not available with Quick Release Axles)	
Color	<input type="checkbox"/> Anodized Black <input type="checkbox"/> Anodized Silver	E1015	\$ 575
<input type="checkbox"/> Frog Leg Suspension Forks 1.5" Wide	(For 3", 4" x 1.5" width Caster and 5" x 1"& 5" x 1.5" Casters)	(Not available with Quick Release Axles)	
Color	<input type="checkbox"/> Anodized Black <input type="checkbox"/> Anodized Silver	E1015	\$ 575

Sub Total Section C 1/2	\$
Sub Total Section C 2/2	\$
<b>Total Section C</b>	<b>\$</b>

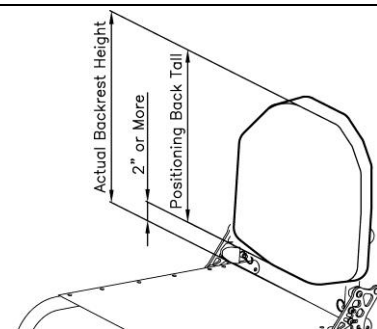
**D COMPONENTS**

<b>WHEEL LOCKS</b>		
<input type="checkbox"/> Push to Lock / Anodized Black Only . . . . .		\$ STD
<input type="checkbox"/> NEW Compact Push to Lock / Anodized Black Only <input type="checkbox"/> w/ 2" Extension Handle <b>(\$65up)</b> . . . . .		\$ 110
<input type="checkbox"/> NEW Compact Scissor Lock / Anodized Black Only . . . . .		\$ 110
<input type="checkbox"/> D's Locks (*Not available with X-Core, Topolino WX2.5, Pro Wheels, Magic wheels) (*Does not include installation fee) . . . . .		\$ CFP
<b>PUSH HANDLES</b> *If you are ordering push handles, You must select the backrest locking mechanism.		
<input type="checkbox"/> Integrated w/Fixed Backrest Height / Anodized Black Only . . . . .		\$ STD
<input type="checkbox"/> Bolt-on / Anodized Black Only Specify Height from floor -( ) . . . . .		\$ 142
<input type="checkbox"/> Bolt-on w/Quick Release / Anodized Black Only Specify Height from floor -( ) . . . . .		\$ 190
<input type="checkbox"/> NEW Height Adj. / Anodized Black Only Specify Maximum height from floor -( ) . . . . .		\$ 295
<b>NOTE</b>		
<b>ANTI-TIPPERS</b>		
<input type="checkbox"/> Anti-Tippers (pair) w/ Quick Release / Anodized Black Only . . . . .	<b>E0971</b>	\$ 112
<b>SIDE GUARDS</b>		
<input type="checkbox"/> Rigid Side Guards - Black ABS <input type="checkbox"/> Non-Removable <input type="checkbox"/> Removable <input type="checkbox"/> Removable w/Hole <b>(\$10 up charge)</b> Size: <input type="checkbox"/> STD <input type="checkbox"/> Medium <input type="checkbox"/> Cut to Wheel <b>(\$98 up charge)</b> Measurement Color: Black Only		\$ 142
<input type="checkbox"/> Rigid Side Guards - Aluminum <input type="checkbox"/> Non-Removable <input type="checkbox"/> Removable Size: <input type="checkbox"/> Medium Only <input type="checkbox"/> Cut to Wheel <b>(\$98 up charge)</b> Measurement Color <input type="checkbox"/> Black (STD) <input type="checkbox"/> Pol. Aluminum (STD) <input type="checkbox"/> Powder Coated ( ) <b>(\$50 up charge)</b> <input type="checkbox"/> Gold Plate <b>(+CFP)</b>		\$ 197
<input type="checkbox"/> PRO-TEX Fender Guards / (Black ABS -Only) <input type="checkbox"/> Cut to Fit Specs <input type="checkbox"/> Do Not Install . . . . .		\$ 175
<input type="checkbox"/> Fabric Clothing Guards Black Nylon w/Velcro . . . . .		\$ 78
<b>SEAT CUSHION</b> -*Please see section E for other cushion choices.-		
<input type="checkbox"/> Foam Cushion w/Nylon Cover Thickness <input type="checkbox"/> 1" <input type="checkbox"/> 2" <input type="checkbox"/> 3" <input type="checkbox"/> 4" . . . . .		\$ 78
<input type="checkbox"/> Cushion Cover (Std. Foam Cushion Only)-Select Fabric ( ) <b>(\$90 up charge)</b>		
<b>MISCELLANEOUS</b>		
<input type="checkbox"/> Frame Protectors / Black Leather/Zipper Type . . . . .		\$ 78
<input type="checkbox"/> K0065 Spoke Protectors / Black Only <input type="checkbox"/> 24" <input type="checkbox"/> 25" <input type="checkbox"/> 26" . . . . .	<b>K0065</b>	\$ 107
<input type="checkbox"/> E0978 Seat Belt w/Auto Buckle (BP) 1.5" Black Belt Only . . . . .	<b>E0978</b>	\$ 69
<b>UPHOLSTERY CHOICE &amp; COLOR</b> *Positioning Back Available. Please see Section E		
<input type="checkbox"/> Standard Adjustable Ht Backrest Black Only . . . . .		\$ STD
<input type="checkbox"/> Adjustable Tension Backrest Black Only (*Not available with 8" Backrest Height) . . . . .		\$ 135
Custom Options <input type="checkbox"/> Fabrics for Fun <input type="checkbox"/> 001 <input type="checkbox"/> 002 <input type="checkbox"/> 003 <input type="checkbox"/> 004 <input type="checkbox"/> 006 <input type="checkbox"/> 010 <input type="checkbox"/> 011 <b>(\$95 up charge)</b> For Std. or Adj. Style <input type="checkbox"/> 014 <input type="checkbox"/> 015 <input type="checkbox"/> 016 <input type="checkbox"/> 017 <input type="checkbox"/> 018 <input type="checkbox"/> 020 <input type="checkbox"/> 021 <input type="checkbox"/> 022 <input type="checkbox"/> 023 <input type="checkbox"/> 024 <input type="checkbox"/> 025 <input type="checkbox"/> 026 <input type="checkbox"/> 027 <input type="checkbox"/> 028 <input type="checkbox"/> Backrest Leather Trim (outside panels) <b>(\$77 up charge)</b>		
<input type="checkbox"/> Calf Strap <input type="checkbox"/> Black <input type="checkbox"/> Matching Fabric <b>(\$55 up charge)</b> -Select Fabric( ) . . . . .	<b>K0038</b>	\$ 24
<input type="checkbox"/> Matching Fabric on Padded Side Guards -Select Fabric ( ) . . . . .		\$ 210
<b>Total Section D \$</b>		

**E CHAIR OPTIONS 1/2**

SEAT CUSHION			
<b>SUPRACOR® WHEELCHAIR CUSHIONS</b>			
<b>Stimulite® Contoured Cushion</b> *Black Upholstery only	<input type="checkbox"/> W14"xD16" (CD1416) ..... <b>E2603</b> \$ 525 <input type="checkbox"/> W16"xD16" (CD1616) ..... <b>E2603</b> \$ 525 <input type="checkbox"/> W16"xD18" (CD1618) ..... <b>E2603</b> \$ 525 <input type="checkbox"/> W18"xD16" (CD1816) ..... <b>E2603</b> \$ 525 <input type="checkbox"/> W18"xD18" (CD1818) ..... <b>E2603</b> \$ 525 <input type="checkbox"/> W18"xD20" (CD1820) ..... <b>E2603</b> \$ 540 <input type="checkbox"/> W20"xD16" (CD2016) ..... <b>E2603</b> \$ 540 <input type="checkbox"/> W20"xD18" (CD2018) ..... <b>E2603</b> \$ 540 <input type="checkbox"/> W20"xD20" (CD2020) ..... <b>E2603</b> \$ 555	<input type="checkbox"/> Extra Sensitive ( <b>\$30 up charge</b> ) <input type="checkbox"/> Sling Style Bottom ( <b>\$45 up charge</b> ) <input type="checkbox"/> Custom Size W(     " ) x D(     " ) ( <b>-\$ CFP</b> )	
<b>Stimulite® Slimline Cushion</b> *Black Upholstery only	<input type="checkbox"/> W14"xD16" (SM1416) ..... <b>E2603</b> \$ 495 <input type="checkbox"/> W16"xD16" (SM1616) ..... <b>E2603</b> \$ 495 <input type="checkbox"/> W16"xD18" (SM1618) ..... <b>E2603</b> \$ 495 <input type="checkbox"/> W18"xD18" (SM1818) ..... <b>E2603</b> \$ 495 <input type="checkbox"/> W18"xD20" (SM1820) ..... <b>E2603</b> \$ 495 <input type="checkbox"/> W20"xD16" (SM2016) ..... <b>E2603</b> \$ 510 <input type="checkbox"/> W20"xD18" (SM2018) ..... <b>E2603</b> \$ 510 <input type="checkbox"/> W20"xD20" (SM2020) ..... <b>E2603</b> \$ 510	<input type="checkbox"/> Extra Sensitive ( <b>\$30 up charge</b> ) <input type="checkbox"/> Sling Style Bottom ( <b>\$45 up charge</b> ) <input type="checkbox"/> Custom Size W(     " ) x D(     " ) ( <b>-\$ CFP</b> )	
<b>Stimulite® Corbee Pediatric</b> *Black Upholstery only	<input type="checkbox"/> W10"xD10" (PD1010) ..... <b>E2603</b> \$ 450 <input type="checkbox"/> W12"xD12" (PD1212) ..... <b>E2603</b> \$ 450 <input type="checkbox"/> W14"xD14" (PD1414) ..... <b>E2603</b> \$ 450	<input type="checkbox"/> Extra Sensitive ( <b>\$30 up charge</b> ) <input type="checkbox"/> Sling Style Bottom ( <b>\$45 up charge</b> ) <input type="checkbox"/> Custom Size W(     " ) x D(     " ) ( <b>-\$ CFP</b> )	
<b>ROHO WHEELCHAIR CUSHIONS</b>			
<input type="checkbox"/> <b>4" HIGH PROFILE® QUADTRO SELECT® CUSHION</b> Choose Size	<input type="checkbox"/> W12"xD12" <input type="checkbox"/> W12"xD13" <input type="checkbox"/> W13"xD13" <input type="checkbox"/> W13"xD15" <input type="checkbox"/> W13"xD16" <input type="checkbox"/> W15"xD13" <input type="checkbox"/> W15"xD15" <input type="checkbox"/> W15"xD16" <input type="checkbox"/> W15"xD18" <input type="checkbox"/> W16"xD15" <input type="checkbox"/> W16"xD16" <input type="checkbox"/> W16"xD18" <input type="checkbox"/> W16"xD20" <input type="checkbox"/> W18"xD15" <input type="checkbox"/> W18"xD16" <input type="checkbox"/> W18"xD18" <input type="checkbox"/> W18"xD20" <input type="checkbox"/> W18"xD22" <input type="checkbox"/> W20"xD16" <input type="checkbox"/> W20"xD18" <input type="checkbox"/> W20"xD20" <input type="checkbox"/> W20"xD22" <input type="checkbox"/> W22"xD18" <input type="checkbox"/> W22"xD20" <input type="checkbox"/> W22"xD22" <input type="checkbox"/> Custom Size W(     " ) x D(     " ) ( <b>+\$85</b> )	*Black Upholstery ..... <b>E2622-2623</b>	\$ 525
<input type="checkbox"/> <b>3" MID PROFILE® QUADTRO SELECT® CUSHION</b> Choose Size	<input type="checkbox"/> W15"xD15" <input type="checkbox"/> W15"xD16" <input type="checkbox"/> W16"xD16" <input type="checkbox"/> W16"xD18" <input type="checkbox"/> W18"xD16" <input type="checkbox"/> W18"xD18" <input type="checkbox"/> Custom Size W(     " ) x D(     " ) ( <b>+\$85</b> )	*Black Upholstery only ..... <b>E2622-2623</b>	\$ 525
<input type="checkbox"/> <b>2" LOW PROFILE® QUADTRO SELECT® CUSHION</b> Choose Size	<input type="checkbox"/> W12"xD12" <input type="checkbox"/> W12"xD13" <input type="checkbox"/> W13"xD13" <input type="checkbox"/> W13"xD15" <input type="checkbox"/> W13"xD16" <input type="checkbox"/> W15"xD13" <input type="checkbox"/> W15"xD15" <input type="checkbox"/> W15"xD16" <input type="checkbox"/> W15"xD18" <input type="checkbox"/> W16"xD15" <input type="checkbox"/> W16"xD16" <input type="checkbox"/> W16"xD18" <input type="checkbox"/> W16"xD20" <input type="checkbox"/> W18"xD15" <input type="checkbox"/> W18"xD16" <input type="checkbox"/> W18"xD18" <input type="checkbox"/> W18"xD20" <input type="checkbox"/> W20"xD16" <input type="checkbox"/> W20"xD18" <input type="checkbox"/> W20"xD20" <input type="checkbox"/> Custom Size W(     " ) x D(     " ) ( <b>+\$85</b> )	*Black Upholstery only ..... <b>E2622-2623</b>	\$ 525
<input type="checkbox"/> <b>2" NEXUS SPIRIT® CUSHION</b> Choose Size	<input type="checkbox"/> W14"xD14" <input type="checkbox"/> W14"xD16" <input type="checkbox"/> W15"xD15" <input type="checkbox"/> W16"xD16" <input type="checkbox"/> W16"xD18" <input type="checkbox"/> W17"xD17" <input type="checkbox"/> W18"xD16" <input type="checkbox"/> W18"xD18" <input type="checkbox"/> W20"xD18"	*Black Upholstery only ..... <b>E2622</b> * Custom Size Not Available	\$ 525
<b>STAR CUSHIONS</b>			
<b>Galaxy Cushion</b> *Black Upholstery only	<input type="checkbox"/> W14"xD14" ( GXY 1414-2) <input type="checkbox"/> W14"xD16" ( GXY 1416-2) <input type="checkbox"/> W16"xD14" ( GXY 1614-2) <input type="checkbox"/> W16"xD16" ( GXY 1616-2) <input type="checkbox"/> W16"xD18" ( GXY 1618-2) <input type="checkbox"/> W18"xD16" ( GXY 1816-2) <b>⇒</b> <input type="checkbox"/> W18"xD18" ( GXY 1818-2) <input type="checkbox"/> W18"xD20" ( GXY 1820-2) <input type="checkbox"/> W20"xD16" ( GXY 2016-2) <input type="checkbox"/> W20"xD18" ( GXY 2018-2) <input type="checkbox"/> W20"xD20" ( GXY 2020-2)	Choose Zoning Options <b>E2624</b> <input type="checkbox"/> Standard - Dual Valve <input type="checkbox"/> Dual Valve - Front to Back <input type="checkbox"/> Four Valve <input type="checkbox"/> Simple - Single Valve <input type="checkbox"/> Four Valve - Enhanced <input type="checkbox"/> Four Valve - Front to Back	\$ 498
<b>THE CURVE CUSHION</b> *Black Upholstery only	<input type="checkbox"/> W10"xD10" <input type="checkbox"/> W10"xD11" <input type="checkbox"/> W10"xD11" <input type="checkbox"/> W10"xD12" <input type="checkbox"/> W11"xD12" <input type="checkbox"/> W12"xD12" <input type="checkbox"/> W12"xD13" <input type="checkbox"/> W12"xD14" <input type="checkbox"/> W13"xD11" <input type="checkbox"/> W13"xD12" <input type="checkbox"/> W13"xD13" <input type="checkbox"/> W13"xD14" <input type="checkbox"/> W14"xD14" <input type="checkbox"/> W14"xD15" <input type="checkbox"/> W14"xD16" <input type="checkbox"/> W15"xD14" <input type="checkbox"/> W15"xD15" <input type="checkbox"/> W15"xD16" <input type="checkbox"/> W16"xD14" <input type="checkbox"/> W16"xD15" <input type="checkbox"/> W16"xD16" <input type="checkbox"/> W16"xD17" <input type="checkbox"/> W16"xD18" <input type="checkbox"/> W17"xD16" <input type="checkbox"/> W17"xD17" <input type="checkbox"/> W17"xD18" <input type="checkbox"/> W18"xD16" <input type="checkbox"/> W18"xD17" <input type="checkbox"/> W18"xD18"		\$ 133
<b>NOTE</b>			

**E CHAIR OPTIONS 2/2**

<b>POSITIONING BACK</b>			
<p><b>*Note : Actual height of the backrest will increase 2" or more.</b></p> 			
<p><b>ADI CARBON BACKREST (Support Contour-ACTIVE 2.5")</b> *Not Available with Welded Side Guards</p> <p>Mounting Hardware: <input type="checkbox"/> 2 Point Pro    <input type="checkbox"/> Quick Release</p>			
Height	<input type="checkbox"/> <b>LOW</b> (10" Tall) *Backrest Height requires 12" or more *Available 13"-19" width    Width (    ") <b>E2613</b> \$ 745 <input type="checkbox"/> <b>Medium</b> (13" Tall) *Backrest Height requires 15" or more *Available 13"-19" width    Width (    ") <b>E2613</b> \$ 815 <input type="checkbox"/> <b>Standard</b> (16" Tall) *Backrest Height requires 18" or more *Available 13"-19" width    Width (    ") <b>E2613</b> \$ 880 <input type="checkbox"/> <b>Custom Size</b> (    " Tall ) x (    " width ) . . . . . <b>E2613</b> \$ CFP		
<p><b>ADI ALUMINUM BACKREST (Support Contour-ACTIVE 2.5")</b> *Not Available with Welded Side Guards</p> <p>Mounting Hardware: <input type="checkbox"/> 2 Point Pro    <input type="checkbox"/> Quick Release</p>			
Height	<input type="checkbox"/> <b>LOW</b> (10" Tall) *Backrest Height requires 12" or more *Available 10"-20" width    Width (    ") <b>E2613</b> \$ 610 <input type="checkbox"/> <b>Medium</b> (13" Tall) *Backrest Height requires 15" or more *Available 12"-20" width    Width (    ") <b>E2613</b> \$ 625 <input type="checkbox"/> <b>Standard</b> (16" Tall) *Backrest Height requires 18" or more *Available 14"-20" width    Width (    ") <b>E2613</b> \$ 640 <input type="checkbox"/> <b>Tall</b> (18" Tall) *Backrest Height requires 20" or more *Available 16"-20" width    Width (    ") <b>E2613</b> \$ 655 <input type="checkbox"/> <b>X-Tall</b> (20" Tall) *Backrest Height requires 22" or more *Available 16"-20" width    Width (    ") <b>E2613</b> \$ 670 <input type="checkbox"/> <b>Custom Size</b> (    " Tall ) x (    " width ) . . . . . <b>E2613</b> \$ CFP		
<p><b>ADI ALUMINUM BACKREST (Support Contour-DEEP 4")</b> *Not Available with Welded Side Guards *Not Available with Lateral Supports</p> <p>Mounting Hardware: <input type="checkbox"/> 2 Point Pro    <input type="checkbox"/> Quick Release</p>			
Height	<input type="checkbox"/> <b>LOW</b> (10" Tall) *Backrest Height requires 12" or more *Available 10"-20" width    Width (    ") <b>E2615</b> \$ 710 <input type="checkbox"/> <b>Medium</b> (13" Tall) *Backrest Height requires 15" or more *Available 12"-20" width    Width (    ") <b>E2615</b> \$ 725 <input type="checkbox"/> <b>Standard</b> (16" Tall) *Backrest Height requires 18" or more *Available 14"-20" width    Width (    ") <b>E2615</b> \$ 740 <input type="checkbox"/> <b>Tall</b> (18" Tall) *Backrest Height requires 20" or more *Available 16"-20" width    Width (    ") <b>E2615</b> \$ 755 <input type="checkbox"/> <b>X-Tall</b> (20" Tall) *Backrest Height requires 22" or more *Available 16"-20" width    Width (    ") <b>E2615</b> \$ 770 <input type="checkbox"/> <b>Custom Size</b> (    " Tall ) x (    " width ) . . . . . <b>E2615</b> \$ CFP		
<p><b>ADI LATERAL SUPPORTS ( Lateral Supports are compatible with only active 2.5" ADI positioning back. )</b></p> <p><input type="checkbox"/> <b>Stationary Pad</b>    Pad Size    <input type="checkbox"/> Small (3" H x 3" D)    <input type="checkbox"/> Medium(3" H x 4" D)    <input type="checkbox"/> Large(4.5" H x 4.5" D)    <input type="checkbox"/> Large(4" H x 6" D)</p> <p>    <input type="checkbox"/> Pair . . . . . \$ 320</p> <p>    <input type="checkbox"/> Left side only    or    <input type="checkbox"/> Right side only . . . . . \$ 160</p> <p><input type="checkbox"/> <b>Swing-Out</b>    Pad Size    <input type="checkbox"/> Small (3" H x 3" D)    <input type="checkbox"/> Medium(3" H x 4" D)    <input type="checkbox"/> Large(4.5" H x 4.5" D)    <input type="checkbox"/> Large(4" H x 6" D)</p> <p>    <input type="checkbox"/> Pair . . . . . \$ 520</p> <p>    <input type="checkbox"/> Left side only    or    <input type="checkbox"/> Right side only . . . . . \$ 260</p>			
<b>OTHER</b>			
<input type="checkbox"/> <b>ADI Transfer Board</b> <input type="checkbox"/> 21" (ADV21) <input type="checkbox"/> 24" (ADV24) <input type="checkbox"/> 29" . . . . . \$ 62			
<input type="checkbox"/> <b>ADI Push and Transfer Gloves</b> <b>Leather</b> (one size fits) . . . . . \$ 60			
<input type="checkbox"/> <b>ADI Carbon Solid Seat</b> (Wide: 18" Max, Depth: 20" )    ※Colours Side Guards Not Available with ADI Carbon Solid Seat    \$ 625			
With / <input type="checkbox"/> <b>ADI Folding Carbon Side Guard</b> . . . . . \$ 400			
With / <input type="checkbox"/> <b>ADI Fixed Carbon Side Guard</b> . . . . . \$ 375			
<p><b>VARILITE® Seating Systems Available</b></p> <p style="text-align: right;">Please visit for all options. <a href="http://www.varilite.com">www.varilite.com</a></p>			CFP
<b>NOTE</b>			
		<b>Sub Total Section E 1/2</b>	\$
		<b>Sub Total Section E 2/2</b>	\$
		<b>Total Section E</b>	\$



**F SPECIAL PARTS COLORS ( Please allow an additional 1-2 weeks delivery)**

PARTS COLORS						
<b>Powder-Coated</b>	Gloss Black	Twilight Flake	Yellow	Magenta	Fire Engine Red	White
	Candy Blue	Candy Purple	Candy Green	Candy Red	Candy Raspberry	Cobalt Blue
	Matte Gray	Matte Purple	Matte Blue	Matte Green	Matte Black	Matte Red
	Neon Red	Neon Green	Orange Sparkle	Mellon Yellow	Gun Smoke Silver	Pigeon Blue
	Granny Sparkle Green	Sparkle Sky Blue	Vermilion	Reed Green	Blue Lilac	
<b>Special Colors</b>	Polished Aluminum					
	24 karat Gold Plated					

**Please Choose the Color for each Part**

\*Parts not selected will be black color. (Suspension Spring: Silver Color)  
 \*Minimum 3 parts selected per order.

\*PC=Powder-Coated

**Backrest**

PC ( ) \$125

Polished ..... \$225

Gold Plated..... \$CFP

**Camber Plates**

PC ( ) \$50

Polished ..... \$75

Gold Plated..... \$CFP

**Caps**

PC ( ) \$20

Polished ..... N/A

Gold Plated..... N/A

**Front Springs**

PC ( ) \$20

Polished ..... N/A

Gold Plated..... N/A

**Forks & Knurl Nuts**

PC ( ) \$65

Polished ..... \$90

Gold Plated..... \$CFP

**Footrest Rings**

PC ( ) \$20

Polished ..... \$40

Gold Plated..... \$CFP

**Foot Plate**

PC ( ) \$45

Polished ..... \$90

Gold Plated..... \$CFP

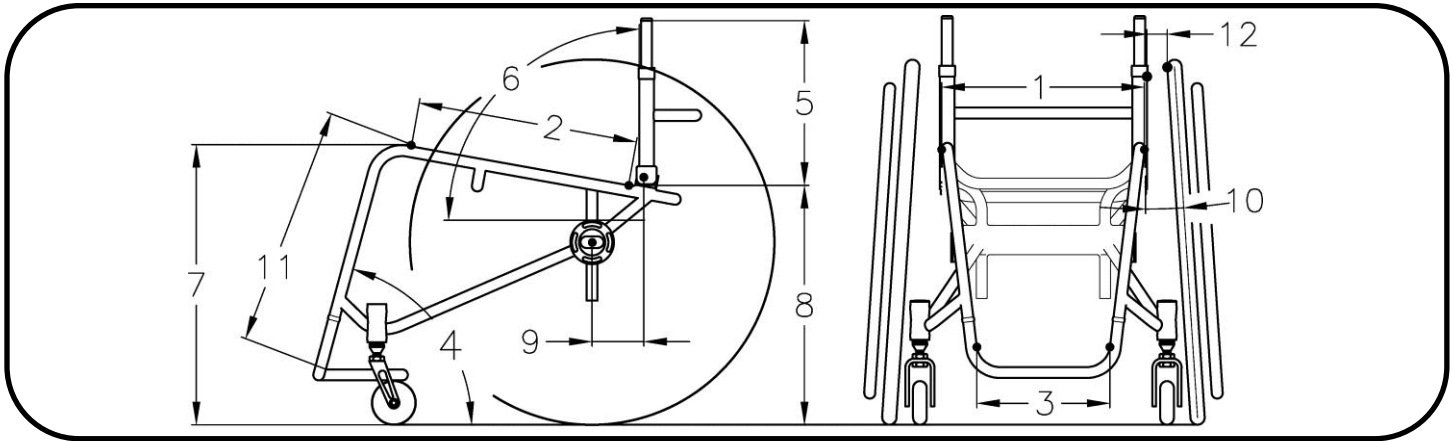
**Foot Plate Clamps**

PC ( ) \$50

Polished ..... \$75

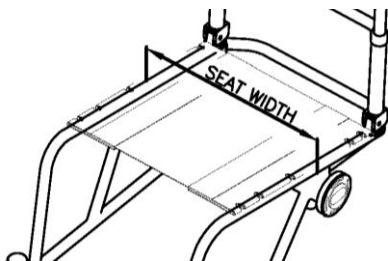
Gold Plated..... \$CFP

**Total Section F \$**



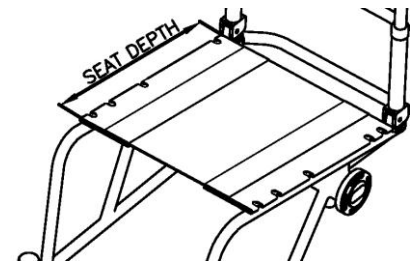
## 1. SEAT WIDTH

Measure from outside of seat tube to the outside of the opposite seat tube.



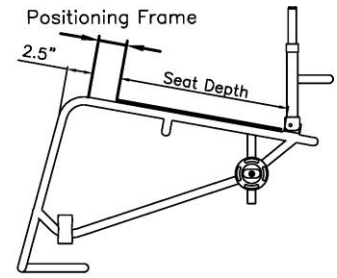
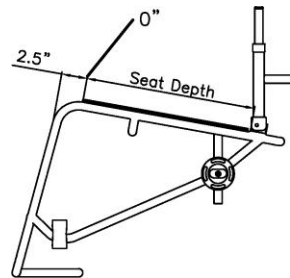
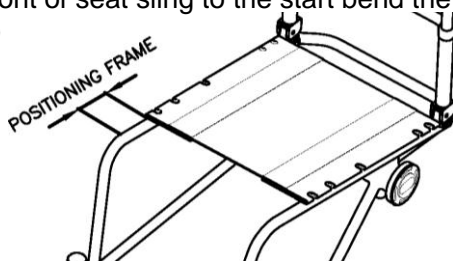
## 2. SEAT DEPTH

Measure from front bottom of backrest tube to the front edge of seat sling.

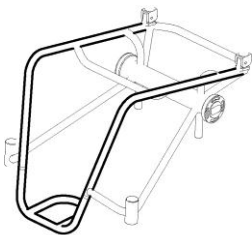


## 2-1. POSITIONING FRAME

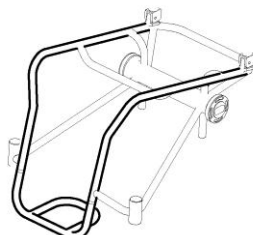
Measure from front of seat sling to the start bend the tube. (STD = 0")



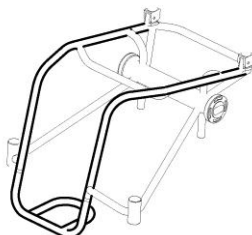
## 2-2. FRAME STYLE



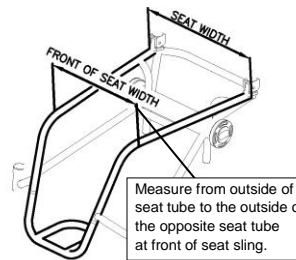
V-Taper



Taper on Bottom

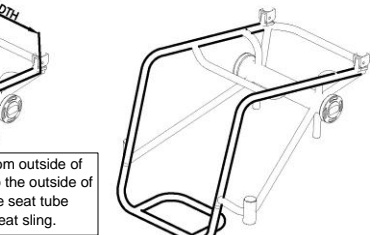


Taper on Top



Taper Seat Sling

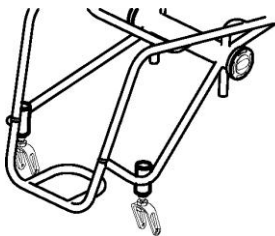
Measure from outside of seat tube to the outside of the opposite seat tube at front of seat sling.



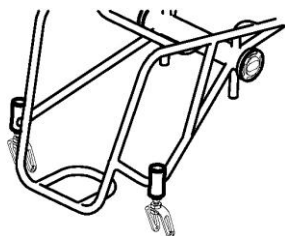
No Taper

\*Measurement must be 2" wider than your footrest width.

## CASTER POSITION

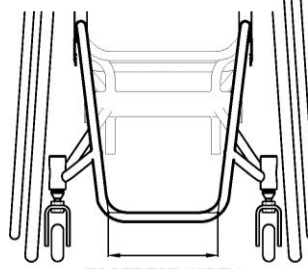


Caster on Inside

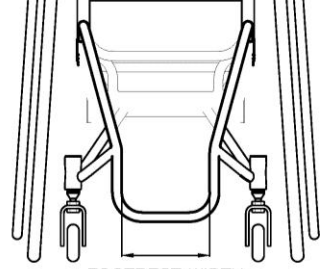


Caster on Outside

## 3. FOOTREST WIDTH



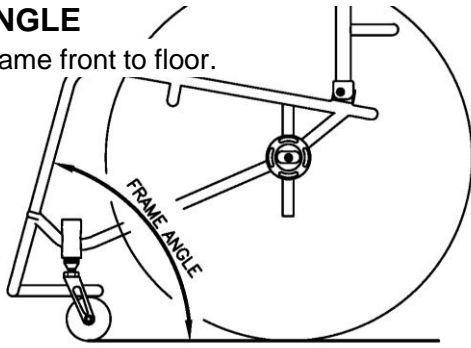
FOOTREST WIDTH



FOOTREST WIDTH

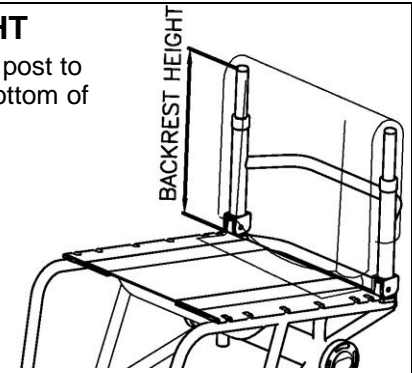
#### 4. FRAME ANGLE

Measure from frame front to floor.



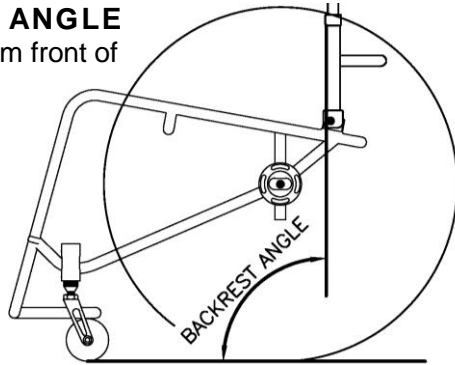
#### 5. BACKREST HEIGHT

Measure from top of back post to top of seat sling at front bottom of backrest tube



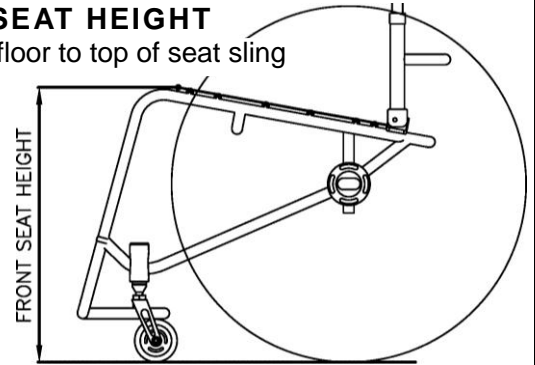
#### 6. BACKREST ANGLE

Measure angle from front of back post to floor.



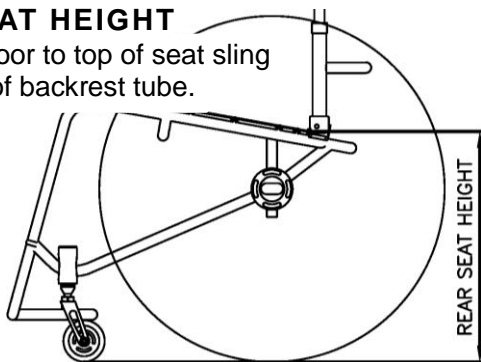
#### 7. FRONT SEAT HEIGHT

Measure from floor to top of seat sling at front edge.



#### 8. REAR SEAT HEIGHT

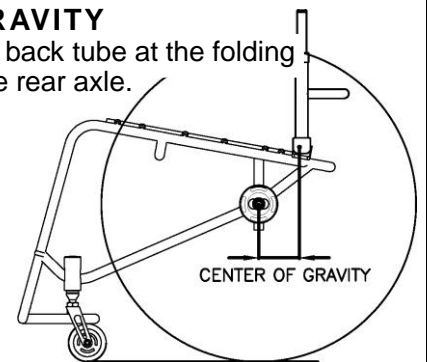
Measure from floor to top of seat sling at front bottom of backrest tube.



#### 9. CENTER OF GRAVITY

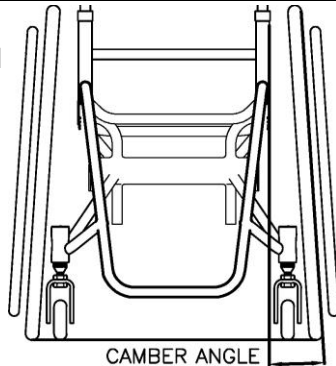
Measure from center of back tube at the folding pivot to the center of the rear axle.

(If welding backrest is selected, Measure from center of back tube at the seat tube to the center of the rear axle.)



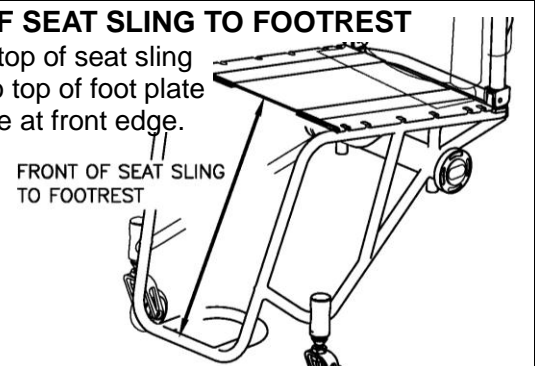
#### 10. CAMBER ANGLE

Measure angle from wheel to vertical at floor.



#### 11. FRONT OF SEAT SLING TO FOOTREST

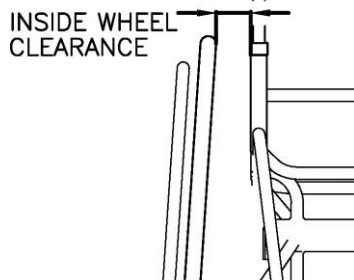
Measure from top of seat sling at front edge to top of foot plate or foot rest tube at front edge.



#### 12. INSIDE WHEEL CLEARANCE

Measure from outside of seat back tube to inside of rear tire.

(If side guards is selected, Measure from outside of side guards to inside of rear tire.)



**COLOURS**

Tel: 951-808-9131 FAX: 951-808-9949

Toll Free: 800-892-8998 www.colourswheelchair.com