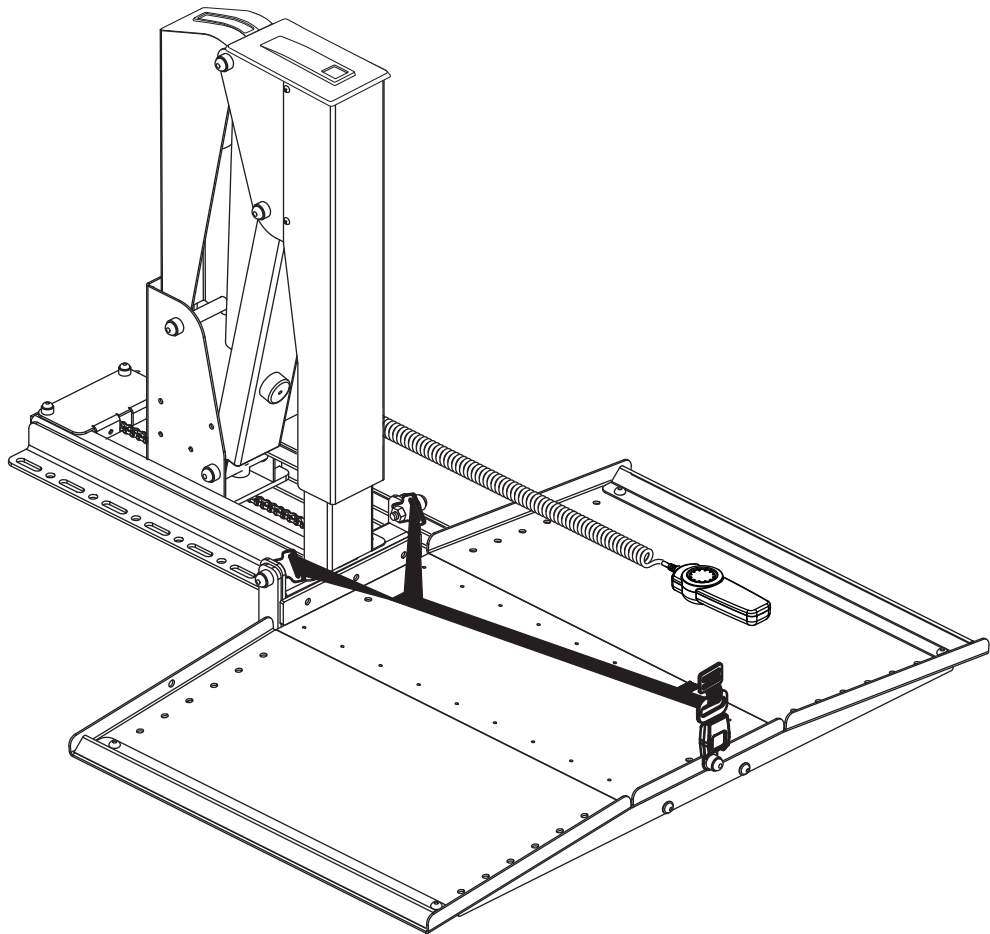


Backpacker Series



OWNER'S MANUAL

*Includes Models/Incluant des modèles:
Backpacker MV, Backpacker AVP,
and/et Backpacker Plus*

Pride[®]
Lifts & Ramps
www.pridemobility.com

SAFETY GUIDELINES



WARNING! An authorized Pride Provider or qualified technician must perform the initial setup of this lift and must perform all of the instructions in this manual.

The symbols below are used throughout this owner's manual and on the product to identify warnings and important information. It is very important for you to read them and understand them completely.



WARNING! Indicates a potentially hazardous condition/situation. Failure to follow designated procedures can cause either personal injury, component damage, or malfunction. On the product, this icon is represented as a black symbol on a yellow triangle with a black border.



MANDATORY! These actions should be performed as specified. Failure to perform mandatory actions can cause personal injury and/or equipment damage. On the product, this icon is represented as a white symbol on a blue dot with a white border.



PROHIBITED! These actions are prohibited. These actions should not be performed at any time or in any circumstances. Performing a prohibited action can cause personal injury and/or equipment damage. On the product, this icon is represented as a black symbol with a red circle and red slash.

Please fill out the following information for quick reference:

Pride Provider: _____
Address: _____
Phone Number: _____
Purchase Date: _____ Serial Number: _____

NOTE: This owner's manual is compiled from the latest specifications and product information available at the time of publication. We reserve the right to make changes as they become necessary. Any changes to our products may cause slight variations between the illustrations and explanations in this manual and the product you have purchased. The latest/current version of this manual is available on our website.



CONTENTS

I. INTRODUCTION	4
II. SAFETY	5
III. INSTALLATION	8
IV. OPERATION	14
V. CARE AND MAINTENANCE	18
VI. TROUBLESHOOTING	19
VII. WARRANTY	20

I. INTRODUCTION

SAFETY

Welcome to Pride Mobility Products. Congratulations on the purchase of your new Backpacker Lift System. The Backpacker Lift System design combines the most advanced state-of-the-art components with modern, attractive styling. We are certain that the design features and trouble-free operation will add convenience to your daily living and ensure complete satisfaction.

At Pride, your safety is important to us. **Please read and follow all instructions in this manual before operating your lift system for the first time.** These instructions were produced for your benefit. Your understanding of these instructions is essential for the safe operation of your new lift system.

Pride is not liable for damage to property or personal injury arising out of the unsafe use of a Backpacker Lift System. Pride is also not liable for any property damage or personal injury arising out of the failure of any person and/or user to follow the instructions and recommendations set forth in this manual or any other instructions or recommendations contained in other Backpacker Lift System related literature issued by Pride or contained on the Backpacker Lift System itself.

INTERNET AND PRIVATE PURCHASES

If you purchased your product over the Internet or from a previous owner and you have any questions about the safe use and/or maintenance of the product, please visit Pride's web page at www.pridemobility.com or contact your authorized Pride Provider.

PURCHASER'S AGREEMENT

By accepting delivery of this product, you promise that you will not change, alter, or modify this product or remove or render inoperable or unsafe any guards, shields, or other safety features of this product; fail, refuse, or neglect to install any retrofit kits from time to time provided by Pride to enhance or preserve the safe use of this product.

SHIPPING AND DELIVERY

Before using your lift system, make sure your delivery is complete as some components may be individually packaged. If you do not receive a complete delivery, please contact your authorized Pride Provider immediately. Where damage has occurred during transport, either to the packaging or content, please contact the delivery company responsible.

INFORMATION EXCHANGE

We want to hear your questions, comments, and suggestions about this manual. We would also like to hear about the safety and reliability of your new lift system and about the service you received from your authorized Pride Provider. Please notify us of any change of address, so we can keep you apprised of important information about safety, new products, and new options that can increase your ability to use and enjoy your lift system. Please feel free to contact us at the address below:

USA:

Pride Mobility Products Corporation
Attn.: Customer Care Department
182 Susquehanna Ave.
Exeter, PA 18643-2694
info@pridemobility.com
1.800.424.8205

Canada:

Pride Mobility Products Company
380 Vansickle Road
St. Catharines, Ontario L2R 6P7
1.888.570.1113

NOTE: If you ever lose or misplace your product registration card or your copy of this manual, contact us and we will be glad to send you a new one immediately.

II. SAFETY

PRODUCT SAFETY SYMBOLS

The symbols below are used on the lift system to identify warnings, mandatory actions, and prohibited actions. It is very important for you to read and understand them completely.



Crush Hazard—Moving parts can crush and cut. Keep hands clear.



Crush Hazard—Moving lift can crush. Keep feet clear during operation.



Crush Hazard—Moving lift can crush. Keep hands clear during operation.



Do not sit on mobility device while activating lift or during transport.



Keep area clean, dry, and free of obstructions.



Do not remove cover! Only authorized personnel may service this equipment. Refer to manual for important safety information.



Read and follow the information in the owner's manual.



Maximum lifting capacity.

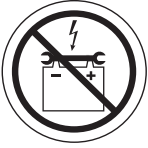


Do not use as a step.



Avoid exposure to rain, snow, ice, salt, or standing water whenever possible. Maintain and store in a clean and dry condition.

II. SAFETY



Keep tools and other metal objects away from battery terminals. Contact with tools can cause electrical shock.



Do not allow unsupervised children to play near the lift while the batteries are charging.



Corrosive chemicals contained in battery.



Explosive conditions exist!



Pinch/Crush points created during assembly and/or operation. Keep hands/fingers away from moving components during operation.



Use only AGM or Gel-Cell batteries to reduce the risk of leakage or explosive conditions.



Battery posts, terminals and related accessories contain lead and lead compounds. Wear goggle and gloves when handling batteries and wash hands after handling.



II. SAFETY



Disposal and recycling — Contact your authorized Pride Provider for information on proper disposal of your Pride product and its packaging.



Manual Override



Remove transit screw and washer prior to operating the lift for the first time.



II. SAFETY

LIFTING CAPABILITIES

The Backpacker Lift System is designed for a maximum lifting capacity of 350 lbs. (158 kg). Under no circumstances should the Backpacker Lift System be made to exceed this weight limit. Subjecting the lift system to the strain of lifting more than it is designed to may cause it to fail, resulting in damage to the mobility device and/or the lift operator. Refer to the mobility device owner's manual for information on the overall weight of the mobility device before lifting.



MANDATORY! Adding accessories, oversized batteries, or a different seat will increase the weight of your mobility device. Verify with your authorized Pride Provider that the total weight of your mobility device, including additions, DOES NOT exceed 350 lbs. (158 kg).

INSTALLATION

Your Backpacker Lift System is an interior lift designed for installation into various brands of SUVs and full-sized/mini vans. Read and fully understand the installation instructions provided in this manual and related literature for your brand of vehicle before installing the lift system.

LIFTING NON-PRIDE PRODUCTS

The Backpacker Lift System is an extremely versatile device which users may employ to lift items other than Pride products. Pride has no control over such use, nor can Pride anticipate every possible use to which a Backpacker Lift System may be put. Operating the lift system outside of the safe limits as discussed in this manual or using the lift system to lift any item deemed by Pride to be incompatible with the lift system is done at the operator's own risk, and Pride accepts no liability for damage or injury resulting from such use.

PRELIFT INSPECTION

Before operating the Backpacker Lift System, conduct a careful survey of your surroundings to ensure that the lift system has a clear path of operation. Remove any possible obstructions before operating the lift and do not allow children to operate or play near the lift. Ensure that all parts of the lift system are completely fastened before loading the mobility device onto the lift platform, and make sure the mobility device is properly secured before operating the lift system.

OPERATOR POSITIONING

The operator of the lift should stand a safe distance from the unit being lifted/lowered to ensure that his/her feet are never positioned under the raised lift platform. The operator should also keep his/her hands clear of the lift system during operation.

TRANSPORT VEHICLE POSITIONING

Be sure your vehicle is parked on flat, level ground before attempting to load, lift, or remove a mobility device with the Backpacker Lift System. Make sure the vehicle emergency park brake is engaged before loading or unloading a mobility device.

III. INSTALLATION

BACKPACKER LIFT SYSTEM INSTALLATION



WARNING! The Backpacker Lift System should be installed by an authorized service technician only.

WARNING! At least two people should lift the Backpacker into the rear of the vehicle. Use proper lifting techniques and avoid lifting beyond your physical capability.



WARNING! Avoid pinch points! Do not hold the lift frame by the pivot points when installing the Backpacker.

NOTE: Use only the supplied hardware to install the Backpacker Lift System.

Follow these steps to install the Backpacker:

1. Install the Backpacker securement system to the vehicle. Refer to the installation instructions supplied with the securement system.

NOTE: Securement systems vary depending on vehicle manufacturer. Refer to the installation instructions supplied with your securement system or contact your authorized Pride Provider for more information.

NOTE: If your Backpacker is equipped with caps, the caps can be removed if additional clearance is needed.

2. Connect the Backpacker to a power source. See “Wiring Harness Installation.”

NOTE: If your lift is equipped with an optional onboard battery, refer to “Onboard Battery Installation.”

3. Ensure that all mounting hardware is fully tightened once the lift has been centered and all required clearances have been achieved.

NOTE: If there is not adequate clearance between the bumper and the platform frame, you may need to install an end support bracket. Remove the Backpacker from the van and install the end support bracket close to the rear door opening. Reinstall the lift into the vehicle, making sure that the bolts protruding from the bottom plate of the Backpacker closest to the vehicle door snap into the tapped holes on the top of the end support bracket.

NOTE: It may be required to trim the rear inside sill to achieve the adequate platform clearance with the platform under load.

NOTE: Pay attention to the path of the lift platform during operation. Make sure the lift does not rub against or interfere with the vehicle in any way. If you notice any contact between the lift platform and the vehicle, stop lift operation immediately and contact your authorized Pride Provider for assistance.

4. Run the Backpacker through an entire lift cycle. Lower the platform to the ground and then raise the platform to the fully stowed position in the vehicle. See IV. “Operation.”

NOTE: Ensure the yellow transit screw and washer have been removed from the front of the lift and the rubber bushing has been installed before operation. See figures 1 and 2.



WARNING! Remove the transit screw and washer prior to lift operation. Failure to do so may result in serious equipment damage.

III. INSTALLATION

WARNING! Release the “DOWN” button when the lift platform touches the ground. Do not allow the motor to run after the lift platform has touched the ground. Allowing the motor to run will increase the pressure on the lift platform and may result in product or vehicle damage.



Wiring Harness Installation

The wiring harness is approximately 25 ft. (7.62 meters) long and will accommodate most vehicles.

***NOTE:** You may wish to perform a practice run before installing the wiring harness. Route a piece of light rope (equivalent to the gage of the wiring harness) along the anticipated path observing contact points, potential rubbing/chafing points, and any sharp edges. Remove sharp edges with a fine grade file, then treat the steel with a rust inhibitor or metal sealant.*

WARNING! Route the wiring harness through the vehicle rather than under the vehicle to avoid coming in contact with sharp edges, extreme temperatures, moving parts, and roadway debris. Power shorts may occur if wires come in contact with hot exhaust parts or sharp edges.



WARNING! Never attach the wiring harness to a secondary power source. Do not attempt to use trailer wiring to power the lift system. The wiring harness must be connected directly to the vehicle battery.

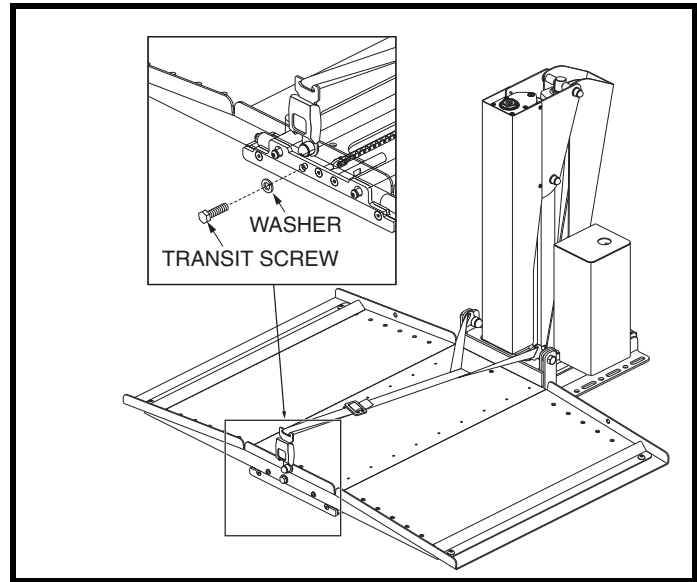


Figure 1. Transit Screw Removal

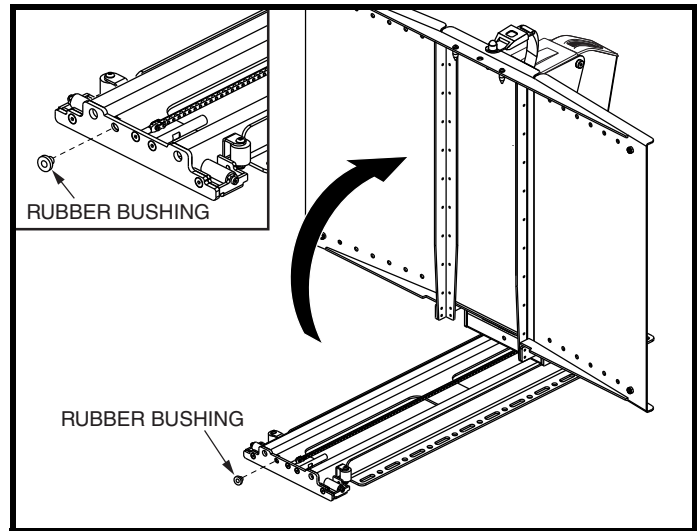


Figure 2. Rubber Bushing Location/Installation

III. INSTALLATION

Follow these steps to route the Backpacker wiring harness:

1. Route the lift system wiring harness (starting at the lift) through the interior of the vehicle until you reach the vehicle battery. See figure 3.



WARNING! Avoid routing the wire harness where it will interfere with or become pinched by the securement system.

2. Conceal the harness behind or under the interior panels (there should be existing holes). Be certain that the harness is protected with a rubber grommet when passing it through the metal panels and into the engine compartment.
3. Inside the engine compartment, secure the harness to the firewall and the inner fender with plastic wire ties. Use care not to cause abrasions to the wiring harness. It is important to secure the wiring harness at various points along its run of the vehicle.



WARNING! Do not cut or shorten the wiring harness. If the harness is too long, coil the excess wire and secure it with plastic wire ties.

4. Remove the 15-amp fuse from the wiring harness. See figure 3.
5. Connect the red wire to the positive (+) terminal and the black (grounding) wire to the negative (-) terminal of the vehicle battery.
6. Reinstall the 15-amp fuse to the wiring harness.



WARNING! Before operating the lift, inspect the wiring harness for proper routing and grounding. Improper routing can cause damage to the harness, and improper grounding can cause damage to the electrical system.

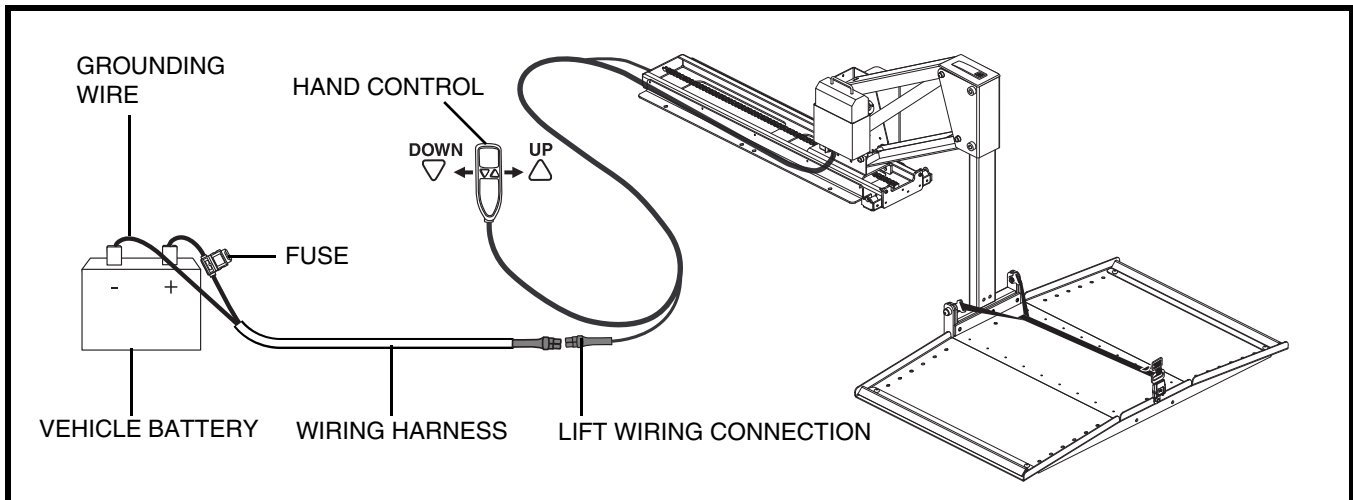


Figure 3. Wiring Harness Installation

III. INSTALLATION

Optional Onboard Battery Pack Installation

The optional onboard battery is designed for easy installation as it does not require wires to be routed through or under the vehicle. If using the optional Type II onboard battery pack, please refer to the manual supplied with the pack for proper operating instructions and harness connections.

Follow these steps to install the onboard battery (Type I):

1. Remove the nuts and washers from the protruding bolts on the side of the lift motor housing. See **figure 4**.
2. Slide the spacer bar onto the protruding bolts, if not already installed.
3. Mount the battery case onto the protruding bolts and secure into position with the nuts and rubber caps removed earlier. See **figure 4**.
4. Insert the onboard battery into the battery case, making sure that the connector on the bottom of the battery aligns and fully connects with the mating connector inside the battery case.
5. Connect the male connector on the battery cable to the female connector at the base of the Backpacker.
6. Secure the battery cable to the other cables with wire ties.

Follow these steps to install the onboard battery (Type II):

1. Remove the rubber caps, nuts, and spacer bar from the protruding bolts on the side of the lift motor housing. See **figure 5**.
2. Mount the battery pack base onto the protruding bolts and secure into position with the nuts removed earlier. See **figure 5**.
3. Insert the onboard battery into the battery pack base, making sure that the connector on the bottom of the battery aligns and fully connects with the mating connector inside the battery pack base.
4. Connect the male connector on the battery cable to the female connector at the base of the Backpacker.
5. Secure the battery cable to the other cables with wire ties.

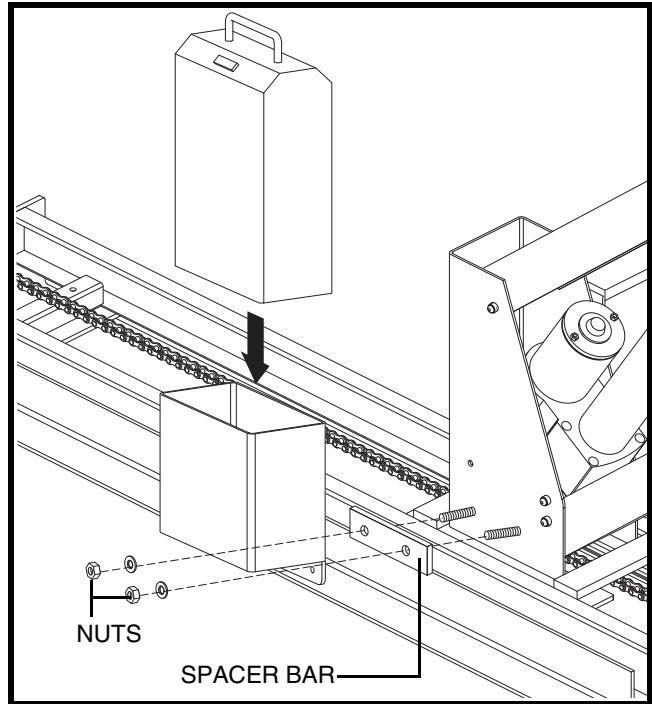


Figure 4. Onboard Battery Installation (Type I)

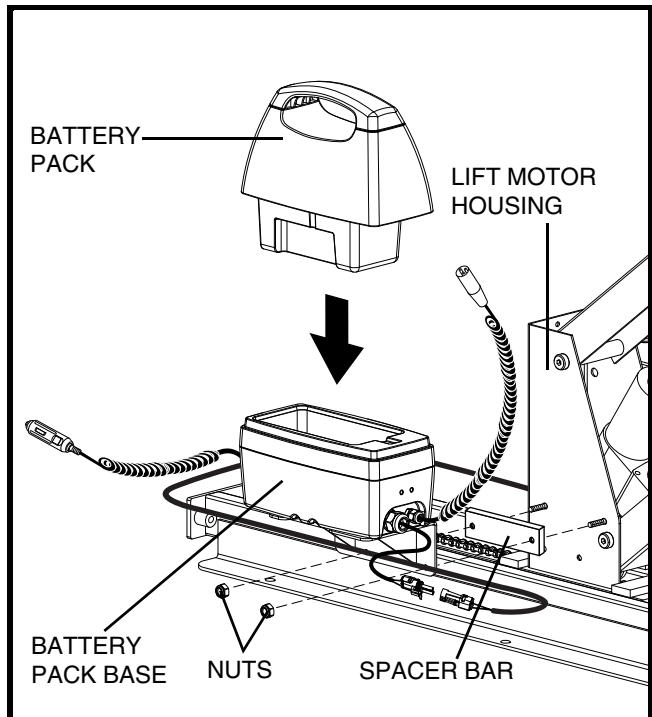


Figure 5. Onboard Battery Installation (Type II)

III. INSTALLATION

Backpacker AVP Platform Adjustment

The Backpacker AVP is equipped with an adjustable platform that can be lengthened or shortened to accommodate a wide range of mobility devices. See figure 6.

Follow these steps to adjust the platform:

1. Remove the nuts and bolts that secure the adjustable wings to the main platform.
2. Move the adjustable wings to the desired width.
3. Align the adjustment holes of the wings with the holes of the main platform.
4. Reinstall the nuts and bolts, and tighten.

Wheel Chock Installation

Your lift is supplied with two adjustable wheel chocks that aid in centering your mobility device during loading. See figure 7 or 8.

Follow these steps to adjust the wheel chocks:

1. Remove the wheel chocks.
2. Drive your mobility device onto the lift platform, positioning it as near to the center as possible.
3. Position the wheel chocks on the platform.
Scooters: Place a wheel chock in front of the front wheel(s) and behind the rear wheels or behind the front wheel(s) and in front of the rear wheels.
Power chairs: Place a wheel chock in front of the drive wheels and behind the drive wheels.
4. Take note of the adjustment holes the wheel chocks align with on the platform and remove the chocks.

NOTE: For larger scooters, the wheel chocks may be positioned to the inside of each wheel.

5. Remove the mobility device from the lift platform.
6. Raise the platform high enough to be able to install hardware from beneath it.
7. Place the wheel chocks onto the lift platform and secure them with the supplied bolts and nuts.

NOTE: Make sure the mobility device is properly secured with the Y-strap before operating the lift or transporting the mobility device.

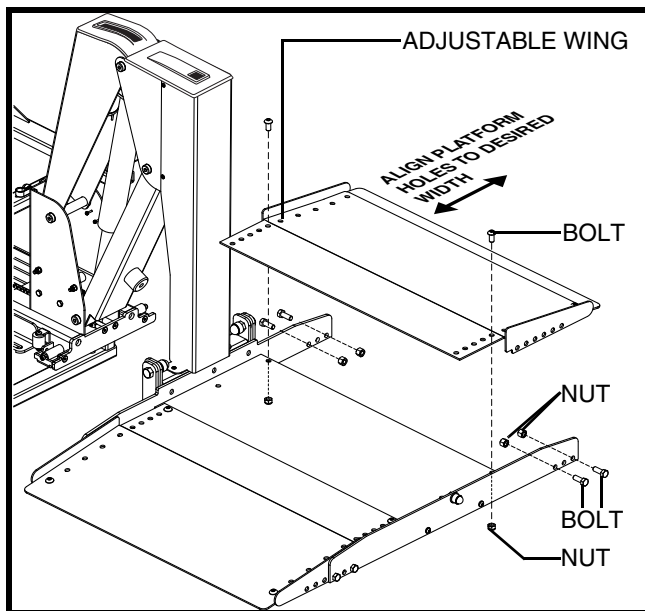


Figure 6. Backpacker AVP Platform Adjustment

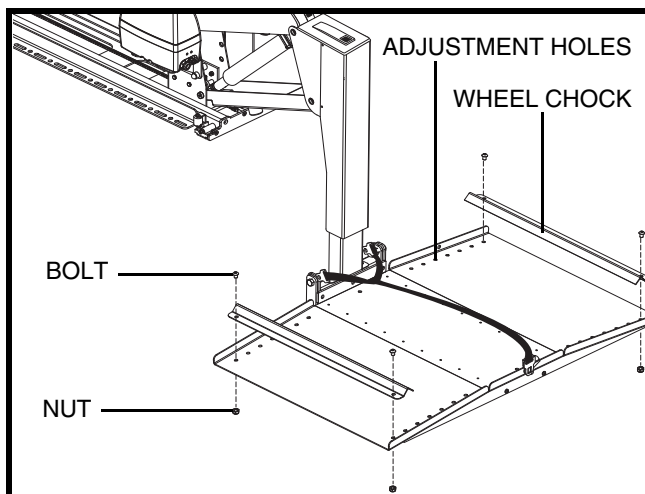


Figure 7. Backpacker AVP Wheel Chock Installation

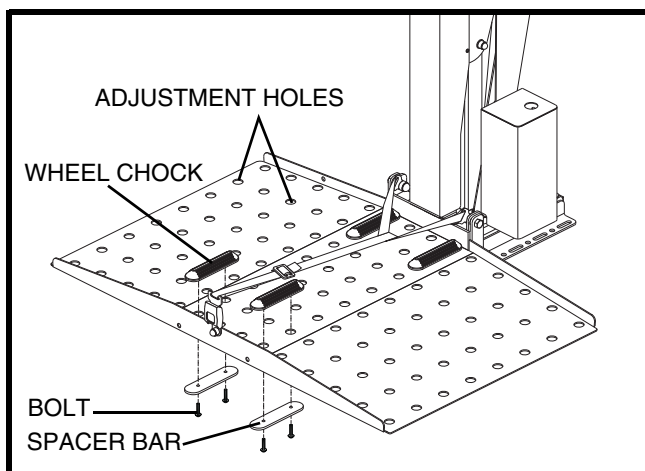


Figure 8. Backpacker Plus and MV Wheel Chock Installation

IV. OPERATION

BACKPACKER LIFT SYSTEM OPERATION

The Backpacker Lift System is designed to lift an unoccupied mobility device from the ground into the cargo area of an SUV or full-sized/mini van for the purpose of easy transport.



WARNING! The Backpacker Lift System is intended for the transport of unoccupied mobility devices only. Do not sit on the mobility device while activating the lift or during transport.

WARNING! Make sure the lift system is clean, dry, and free of obstructions before operating.

NOTE: Prior to carrying your mobility device for the first time ensure the platform will remain level with the device on it.

Steps to level the platform:

1. Place the mobility device on the platform. The weight of the device will determine the amount of adjusting needed.
2. Remove the device from the platform for easy access to the three adjustment bolts located where the platform connects to the lowering arm. **See figure 9.**
3. Use a 3/16-inch Allen key to turn the adjustment bolts as needed to level the platform. Make the same adjustment to all three adjustment bolts.
4. After leveling the platform for your current mobility device, additional adjustments will not be necessary until a different mobility device will be carried.

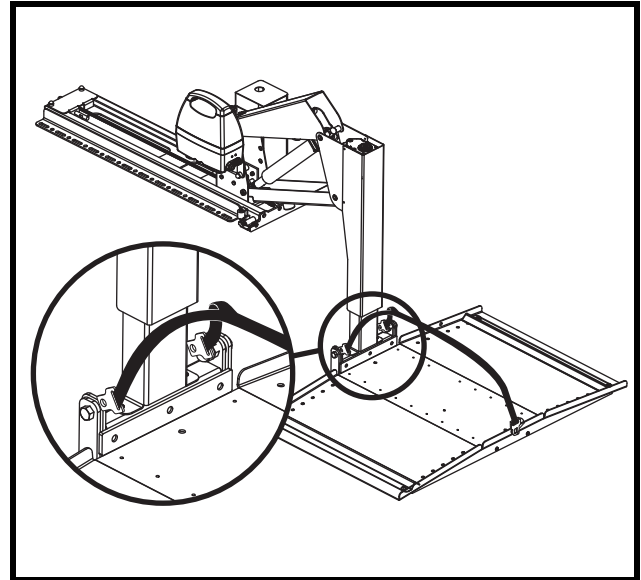


Figure 9. Platform Adjustment Bolts

Follow these steps to load a mobility device with the Backpacker Lift System:

1. Press and hold the “DOWN” button. **See figure 10.** The lift will move out of the vehicle to its farthest forward stop, then lower to the ground. Once the platform has reached the ground, release the “DOWN” button.



WARNING! Release the “DOWN” button when the lift platform touches the ground. Do not allow the motor to run after the lift platform has touched the ground. Allowing the motor to run will increase the pressure on the lift platform and may result in product or vehicle damage.

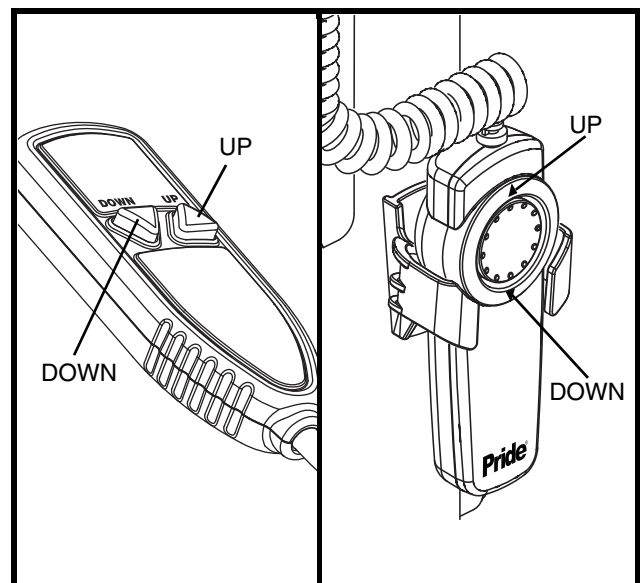


Figure 10. Hand Control Styles

IV. OPERATION

NOTE: The lift motor is equipped with a slip clutch, which emits a ratcheting noise at the end of each horizontal (in and out) movement. This sound is normal and does not indicate a problem with your lift system.



WARNING! Maintain a safe distance from the lift platform. Ensure your feet are not positioned under the lift platform and keep your hands clear of the lift system during operation.

2. Set the speed control to the slowest setting and carefully drive the mobility device onto the lift platform, being sure to center the mobility device between the previously installed wheel chocks.

NOTE: You may wish to load the mobility device while standing next to it using the manual freewheel feature. Refer to the mobility device owner's manual for more information on manual freewheel mode.

3. Shut down the power to the mobility device, remove the key if applicable, and make sure the unit is in drive mode (drive motors engaged). Refer to the mobility device owner's manual for more information on drive mode.



WARNING! Never leave a mobility device in freewheel mode during lift system transport, as the mobility device could roll or shift on its own.

4. Secure the mobility device to the platform by draping the Y-strap over the seat and buckling the strap securely. See figure 11.



WARNING! Ensure the area behind the lift is clear of obstructions.



WARNING! Never attempt to secure the Y-strap over the seatback or armrests of the mobility device.



MANDATORY! Always secure the mobility device to the lift with the Y-strap before lift system operation or vehicle transport.

5. Pull the end of the strap tightly to remove any excess slack over the seat.

NOTE: Inspect the Y-strap before each use to ensure there are no signs of fraying or wear. Ensure that the mobility device is secured properly before transport. Pride is not liable for damage or loss resulting from improper securing of a mobility device.

6. Press and hold the "UP" button. See figure 10. The lift will move up to its highest lift point, then slide into the SUV or van. Once the mobility device is stowed completely within the vehicle, release the button.

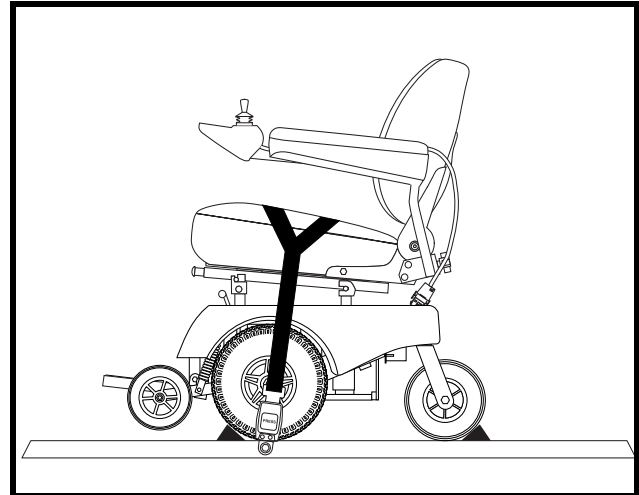


Figure 11. Y-strap Positioning

IV. OPERATION

NOTE: Ensure that the SUV or van has enough headroom to accommodate the height of the mobility device before loading it into the vehicle. Lower the tiller, adjust the seatback angle, or remove the seat if necessary. Refer to the mobility device owner's manual for more information on these adjustments.



WARNING! Do not exceed the load limits of your vehicle as specified by the vehicle manufacturer.

WARNING! Do not sit on your mobility device while it is in a moving vehicle.

When you are ready to remove the mobility device from the vehicle, lower the platform to the ground, unfasten the Y-strap, and drive the mobility device off of the platform. Once unloading is complete, return the lift platform into the vehicle.

MANUAL OVERRIDE OPERATION

The lift is equipped with a manual override feature that, in the event of a power failure, allows the lift to be manually positioned. Using the supplied tools, it is possible to elevate or lower the platform (Backpacker MV only), raise or lower the tower arm, and move the lift forward or backward.

NOTE: The tools needed for manual operation are included with the lift system. (Drill not included.)

The Backpacker MV lift platform can be raised/lowered from the adjustment point located at the top of the lift (see figure 13).

NOTE: Some MV lifts have only a single adjustment opening on the motor. See figure 14.



PROHIBITED! DO NOT use the flex-shaft when manually raising or lowering the lift platform while using the method illustrated in figure 13. Attach the needed hardware directly to the drill.

PROHIBITED! Never manually move the lift backward with the lift platform in the lowered position. Ensure the lift platform is fully raised and the tower arm is completely retracted. See figure 16.

To operate the manual override:

1. Secure the appropriate end of the flex-shaft to a drill, and depending on which part of the lift you want to move, attach the appropriate hardware to the other end of the flex-shaft. See figures 13, 14, 15, and 16.
2. Insert the flex-shaft into the appropriate adjustment opening of the lift.
3. Operate the drill to ensure the lift is moving in the desired direction. Change the spin direction of the drill if needed.
4. Operate the drill until the lift reaches the desired position.

NOTE: When a power drill is not available, the manual adjustment wrench can be used. See figure 17. Attach the small opening of the manual adjustment wrench to the flex-shaft or hex hardware and rotate manually in the direction in which you want the lift to move.

IV. OPERATION

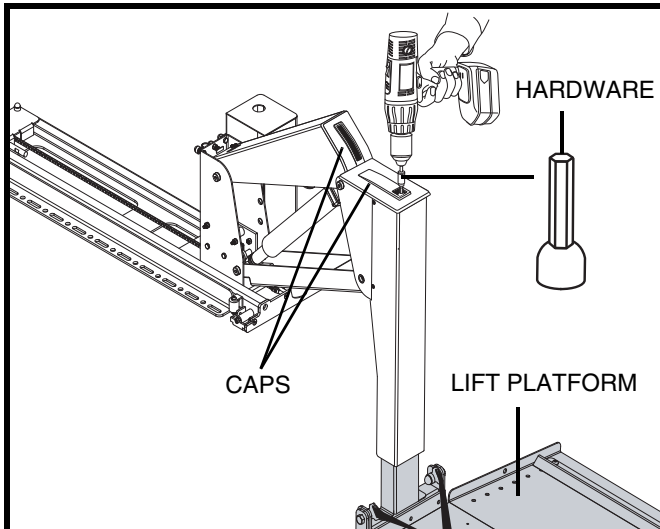


Figure 13. Raise Or Lower The Platform. **DO NOT** Use The Flex-Shaft For This Operation (Backpacker MV ONLY)

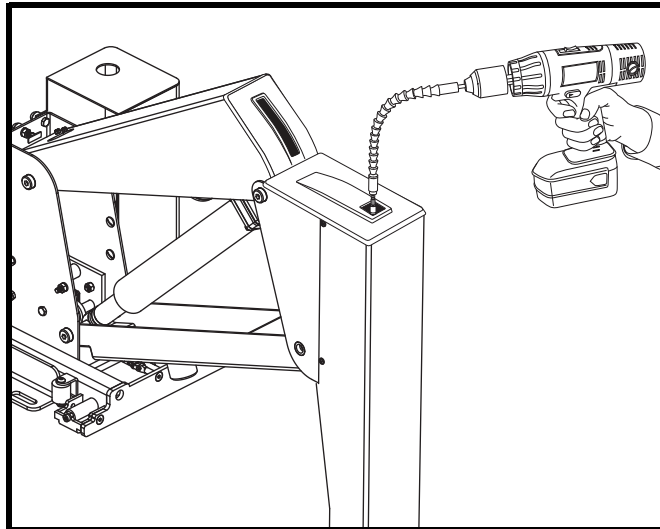


Figure 14. Raise Or Lower The Platform (Single Adjustment Opening) Backpacker MV ONLY

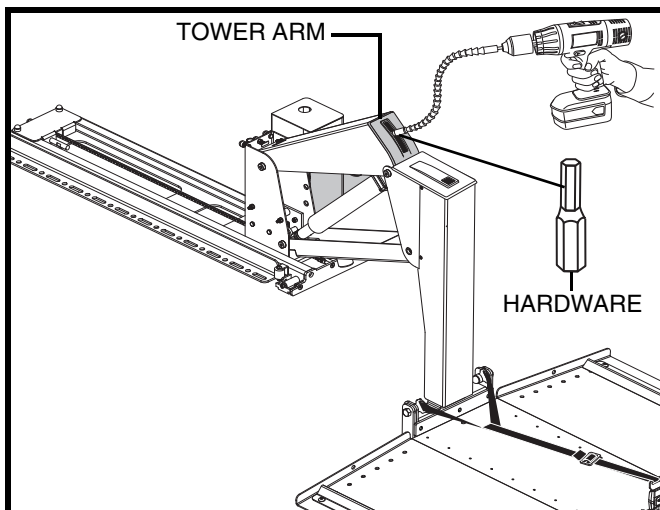


Figure 15. Raise Or Lower The Tower Arm

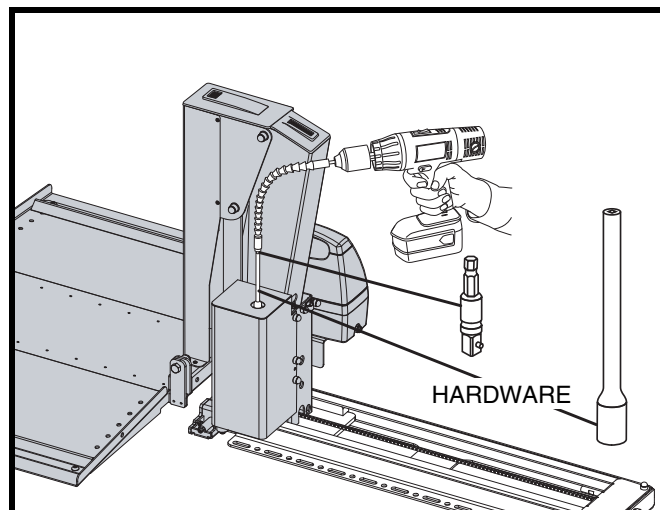
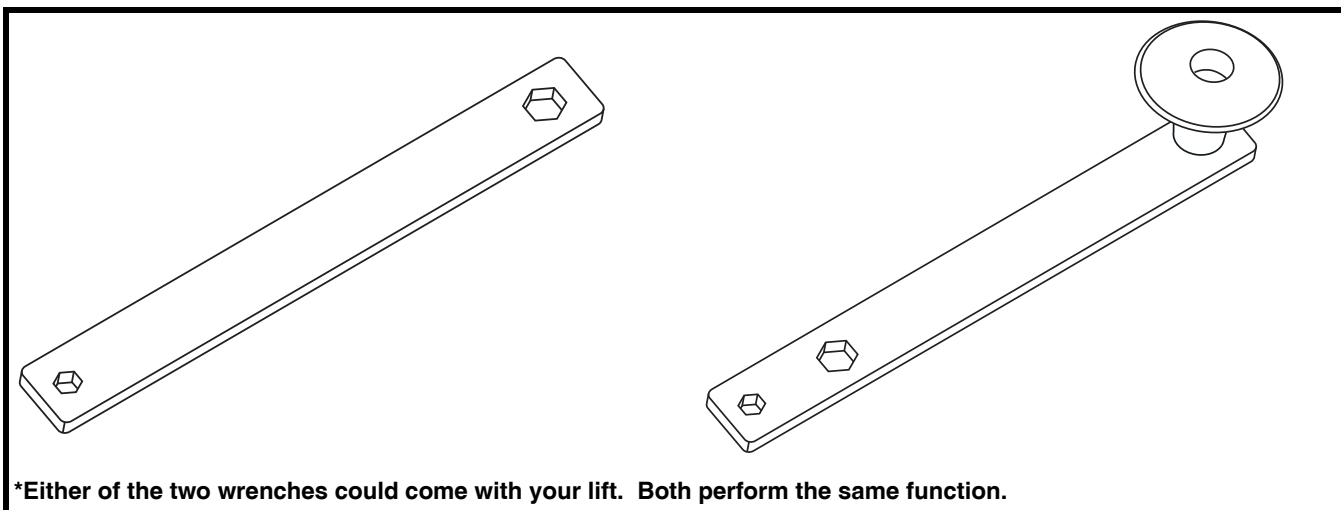


Figure 16. Front-To-Back Movement



*Either of the two wrenches could come with your lift. Both perform the same function.

Figure 17. Manual Adjustment Wrench

V. CARE AND MAINTENANCE

CARE AND MAINTENANCE

Your lift system requires a minimal amount of care and maintenance. If you do not feel confident in your ability to perform the maintenance listed below, you may schedule inspection and maintenance at your authorized Pride Provider. The following areas require periodic inspection and/or care and maintenance. Failure to perform the required maintenance procedures at the required intervals may void your warranty.

Wiring Harness and Hand Control

- The wiring harness should be checked periodically for corrosion and/or decay. Contact your authorized Pride Provider if the wiring harness needs to be replaced.
- Avoid leaving the hand control in areas where it will be exposed to inclement weather or temperature extremes. Exposure to the elements may cause damage to the hand control.



PROHIBITED! Avoid exposure to rain, snow, ice, salt, or standing water whenever possible. Maintain and store in a clean and dry condition.

Lift Platform/Metal Components

- Check the lift platform for wear or damage. Contact your authorized Pride Provider for repair or replacement.
- The lift platform surface may become slippery if exposed to moisture (ice, snow, rain, mist/spray conditions, etc.). Use caution when loading/unloading a mobility device in these conditions and wipe off any excess moisture from the lift platform.
- Regularly inspect the metal lift components for scratches. Treat any problem areas with a rust inhibitor or metal sealant.

MAINTENANCE SCHEDULE:

Perform prior to daily use:

- Inspect all external electrical connectors for damage and replace if necessary.
- Check for damaged or loose hardware. Tighten or replace if necessary.

Perform every 6 months:

- Inspect all mounting hardware for defects and a secure fit. Any loose hardware should be tightened or replaced if necessary.
- Remove and inspect the pivot bolts on the parallel arms and lubricate or replace as necessary.

NOTE: Use only “petroleum-based anti-seize lubricant.”

Perform every 6 – 12 months:

- Lubricate chains with “general purpose petroleum-based grease.”
- Lubricate the truck drive shaft with “petroleum-based anti-seize lubricant” only.
- Inspect the base rollers and replace as necessary.
- If base rollers were replaced, readjust the elevator bolt for proper alignment of parallel arms.
- Inspect chain for proper tension and adjust as necessary.

NOTE: The chain should have a 1/2 in. (1.27 cm) of deflection in either direction when the truck is fully extended contacting the front microswitch.

VI. TROUBLESHOOTING

TROUBLESHOOTING

Any electromechanical device occasionally requires some troubleshooting. However, most of the problems that may arise can usually be solved with a bit of thought and common sense. Many of these problems occur because the batteries are not fully charged or because the batteries are worn down and can no longer hold a charge.

What if the motor on my lift system will not operate?

- Make sure the onboard battery or vehicle battery is fully charged.
- Make sure all connections to the motor and battery are secure.
- Check the wiring harness for signs of wear or decay. Replace the harness if necessary.

What if the lift system operates slowly up or down?

- Make sure the onboard battery or vehicle battery is fully charged.
- Make sure all connections to the motor and battery are secure.
- Check the wiring harness for signs of wear or decay. Replace the harness if necessary.

What if the lift platform does not lower completely to the ground?

Check to make sure that the area under the lift platform is free from obstructions.

VII. WARRANTY

THREE-YEAR TRANSFERABLE LIMITED WARRANTY

For three (3) years from the date of purchase, Pride Mobility Products will repair or replace at our option, free of charge, any mechanical or electrical component found upon examination by an authorized representative of Pride to be defective in material and/or workmanship.

This warranty does not extend to those items, which may require replacement due to normal wear and tear.

- Labor, service calls, shipping, and other charges incurred for repair of the product, unless specifically authorized by Pride Mobility Products IN ADVANCE, are excluded.

Exclusions also include components with damage caused by:

- Contamination
- Abuse, misuse, accident, or negligence
- Battery fluid spillage or leakage
- Commercial use, or use other than normal
- Improper operation, maintenance, or storage
- Repairs and/or modifications made to any part without specific consent from Pride Mobility Products.
- Circumstances beyond the control of Pride

Pride cannot be held responsible for any defects in the motor vehicle in which the lift system is installed, defects in the lift system and/or securement system caused by defects in any part of the motor vehicle, or damage to the motor vehicle caused by installation or operation of the lift system.

ONE-YEAR WARRANTY

The battery is covered by a separate one (1) year warranty provided by the battery manufacturer. The batteries are not warranted by Pride Mobility Products.

SERVICE CHECKS AND WARRANTY SERVICE

An authorized Pride Mobility Products Provider must perform warranty service. Do not return faulty parts to Pride Mobility Products without prior written authorization. All transportation costs and shipping damage incurred while submitting parts for repair or replacement is the responsibility of the purchaser.

Failure to follow the instructions, warnings, and notes in the owner's manual and those located on your Pride lift product can result in personal injury or product damage and will void Pride's product warranty.

There is no other express warranty.

IMPLIED WARRANTIES

Implied warranties, including those of merchantability and fitness for a particular purpose, are limited to one (1) year from the date of purchase and to the extent permitted by law. Any and all implied warranties are excluded. This is the exclusive remedy. Liabilities for consequential damages under any and all warranties are excluded.

Some states do not allow limitations on how long an implied warranty lasts or do not allow the exclusion of limitation incidental or consequential damages. The above limitation or exclusion may not apply to you.

This warranty gives you specific rights, and you may also have other rights, which vary from state to state.

Please fill out and return the product registration card to Pride Mobility Products. This will aid Pride in providing the best possible technical and customer service.

CONSIGNES DE SECURITE



MISE EN GARDE! Votre détaillant Pride ou un technicien qualifié doit faire le montage initial de ce système de levage et suivre toutes les procédures énumérées dans ce manuel.

Les symboles suivants sont utilisés tout au long de ce manuel pour identifier les mises en garde et moments d'attention particulière. Il est important de les comprendre et de les suivre à la lettre.



MISE EN GARDE! Indique une condition/situation potentiellement dangereuse. Vous devez respecter les consignes sous peine de vous blesser, de causer des dommages et/ou un mauvais fonctionnement. Ce pictogramme apposé sur le produit est de couleur noire sur un triangle jaune avec bordure noire.



OBLIGATOIRE! Ces actions doivent être exécutées selon les consignes sous peine de vous blesser, ou d'endommager l'appareil. Ce pictogramme apposé sur le produit est de couleur blanche avec un point bleu et bordure blanche.



INTERDIT! Ces actions sont interdites. Vous ne devez sous aucune considération, entreprendre ces actions. Ces actions peuvent entraîner des blessures et/ou dommages à votre équipement. Ce pictogramme apposé sur le produit est de couleur noire avec un rond rouge et barre rouge.

S.V.P. compléter la fiche d'information pour référence:

Détaillant Pride: _____

Adresse: _____

Téléphone: _____

Date d'achat: _____ Numéro de série: _____

NOTE: Ce manuel a été préparé à partir des spécifications et informations les plus récentes disponibles au moment de la publication. Nous nous réservons le droit d'apporter les changements nécessaires de temps à autre. Ces changements au produit peuvent causer des variations entre les illustrations et explications contenues dans ce manuel et le produit que vous avez acheté. La dernière version de ce manuel est sur notre site Internet.



Copyright © 2012
Pride Mobility Products Corp.
INFMANU3698/Rev E/August 2012/French

TABLE DES MATIERES

I. INTRODUCTION	23
II. SECURITE	24
III. INSTALLATION	28
IV. FONCTIONNEMENT	33
V. SOINS ET ENTRETIEN	37
VI. PROBLEMES ET SOLUTIONS	38
VII. GARANTIE	39

I. INTRODUCTION

SECURITE

Bienvenue chez Pride Mobility Products. Félicitations pour l'acquisition de votre nouvelle système de levage. Cette appareil de levage de conception moderne possède des caractéristiques découlant des plus récents avancements technologique. Nous sommes convaincus que sa fiabilité, ses fonctionnalités et les services qu'il vous rendra feront de vous un propriétaire satisfait.

Chez Pride, la sécurité passe avant tout. **Nous vous prions de prendre le temps de lire les instructions contenues dans ce manuel avant d'utiliser votre équipement pour la première fois.** Pride a préparé ce manuel d'utilisation dans votre intérêt. Il est essentiel que vous compreniez bien les consignes de sécurité concernant votre nouveau système de levage.

Pride ne pourra être tenu responsable pour les dommages à la propriété ou les blessures découlant d'une mauvaise utilisation du système de levage. De plus, Pride ne pourra être tenu responsable pour les dommages à la propriété ou les blessures dans l'éventualité ou une personne ne respecte pas les instructions et recommandations présentées dans ce manuel, dans tout autre documentation émise par Pride contenant des consignes sur l'utilisation du système de levage et de sa rampe.

ACHAT PRIVE ET PAR INTERNET

Si vous avez acheté votre système de levage via Internet ou d'une personne privée, et que vous avez des questions concernant l'utilisation sécuritaire et/ou l'entretien de votre système de levage, S.V.P. visitez le site de Pride au **www.pridemobility.com** ou contactez votre détaillant Pride.

CONVENTION A L'ACHAT

En acceptant ce produit, vous vous engagez à ne pas modifier, altérer, enlever ou rendre inutilisable les protecteurs et/ou gardes de sécurité, dispositifs de sécurité. Vous vous engagez à ne pas refuser ni négliger de faire installer les trousse de mise à jour au besoin, fournies par Pride afin de maintenir ou améliorer l'aspect sécuritaire de votre produit.

TRANSPORT ET RECEPTION

Vérifiez que vous avez bien reçu l'ensemble des composantes avant d'utiliser votre système de levage car certaines composantes peuvent avoir été emballées séparément. Si des pièces sont manquantes, S.V.P. contactez votre détaillant Pride immédiatement. Si vous constatez des dommages au contenant ou au contenu subis lors du transport, contactez le transporteur responsable.

ECHANGE D'INFORMATIONS

Nous aimerions recevoir vos commentaires, questions et suggestions au sujet de ce manuel. Nous aimerions aussi recevoir vos commentaires concernant la fiabilité et la sécurité de votre nouvel système de levage et le service offert par votre détaillant Pride. Nous aimerions être avisés si vous déménagez, car nous pourrions vous tenir informés si des mesures venaient à être prises pour augmenter la sécurité de votre système de levage, ou encore sur les nouveaux produits, nouvelles options qui augmenteraient le plaisir associé à l'utilisation de votre appareil de levage. Vous pouvez nous écrire à l'adresse suivante:

USA:

Pride Mobility Products Corporation
Attn.: Customer Care Department
182 Susquehanna Ave.
Exeter, PA 18643-2694
info@pridemobility.com
1.800.424.8205

Canada:

Pride Mobility Products Company
380 Vansickle Road
St. Catharines, Ontario L2R 6P7
1.888.570.1113

NOTE: Si vous perdez ou égarez votre carte de garantie ou votre manuel du propriétaire, téléphonez ou écrivez-nous, c'est avec plaisir que nous vous ferons parvenir immédiatement des documents de remplacement.

II. SECURITE

PICTOGRAMMES DE SECURITE

Les pictogrammes ci-dessous sont apposés sur le système de levage pour indiquer les actions obligatoires, mises en garde et actions prohibées. Il est très important de les lire et de bien les comprendre.



Risque d'écrasement—Pièces mobiles peuvent écraser et couper. Éloignez les mains.



Risque d'écrasement—Le système de levage en déplacement peut écraser. Éloignez les pieds pendant le fonctionnement.



Risque d'écrasement—Le système de levage en déplacement peut écraser. Éloignez les mains pendant le fonctionnement.



Ne prenez pas place sur votre appareil motorisé lorsque celui-ci est arrimé à l'appareil de levage ou pendant son transport.



Tenir les lieux propres, secs et sans obstacles.



Ne pas retirer le couvercle! Seul le personnel autorisé peut réparer cet équipement. Reportez-vous au manuel pour les informations de sécurité importantes.



Lisez et suivez les consignes et informations contenues dans ce manuel.



Capacité de levage maximale.

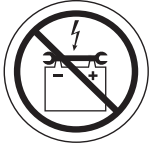


Ne pas utiliser comme un échelon.



Évitez d'exposer à la pluie, neige, glace, sel ou à de l'eau stagnante autant que possible. Gardez le Travel Scooter bien propre et au sec.

II. SECURITE



Tenez les objets et outils métalliques loin des bornes des batteries. Un contact avec un outil en métal peut provoquer un choc électrique.



Ne laissez pas d'enfants jouer sans surveillance près des batteries pendant la recharge.



Les batteries contiennent des produits corrosifs.



Prenez garde aux risques d'explosion!



Prenez garde aux endroits où vous pouvez pincer ou écraser vos doigts lors du montage et de l'utilisation.



N'utilisez que des batteries scellées de type "AGM" ou des batteries au gel afin de réduire les risques de fuites ou d'explosions.



Les bornes, les connecteurs et les accessoires reliés aux batteries contiennent du plomb. Portez des lunettes de protection et des gants pour manipuler les batteries. Lavez vos mains après les avoir manipulées.



II. SECURITE



Mise au rebut et recyclage – Contactez votre détaillant Pride autorisé pour connaître la méthode de mise au rebut et/ou de recyclage de votre produit Pride et son emballage.



Commande manuelle.



Retirer la vis de transit et la rondelle avant de faire fonctionner le système de lavage pour la première fois.



II. SECURITE

FORCE DE LEVAGE

La force de levage maximale de votre système de levage Backpacker est de 158 kg (350 lb). Sous aucune considération, la limite de poids de levage maximale du système de levage Backpacker ne doit être dépassée. Si vous tentez de soulever un poids plus grand que celui pour lequel votre système de levage Backpacker a été conçu, vous risquez de provoquer une défaillance entraînant des dommages à votre appareil de mobilité, des blessures à la personne utilisant l'appareil de levage ou les deux. Référez-vous au manuel d'informations de votre appareil motorisé pour connaître son poids total avant d'entreprendre son levage.



MISE EN GARDE! L'ajout d'accessoires, de batteries très grande capacité ou d'un siège électrique fera augmenter le poids de votre scooter/fauteuil motorisé. Demandez à votre détaillant Pride autorisé de vérifier le poids total de votre appareil après les ajouts pour vous assurer que celui-ci ne dépasse pas la norme de 350 lbs. (158 kg).

INSTALLATION

Votre système de levage Backpacker est un système de levage intérieur conçu pour une installation dans plusieurs types de VUS et de camionnettes/mini-fourgonnettes. Vous devez lire et bien comprendre les instructions d'installation fournies dans ce manuel ainsi que celles contenues dans le manuel de votre véhicule avant de commencer l'installation de l'appareil de levage.

LEVAGE D'UN PRODUIT NON-PRIDE

Le système est très versatile, Il peut soulever des produits autres que ceux fabriqué par Pride. Le fabricant n'a pas de contrôle et ne peut pas anticiper l'utilisation qui peut être faite du système de levage Backpacker. Le levage d'un produit autre qu'un Pride à l'aide de cet appareil est entièrement à vos risques. Pride ne pourra être tenu responsable des blessures et dommages découlant de son utilisation.

INSPECTION AVANT LEVAGE

Avant de faire fonctionner le système de levage Backpacker, examinez minutieusement votre environnement afin d'assurer que le système de levage peut fonctionner librement sans obstacles. Retirez tous les obstacles possibles avant de faire fonctionner le système de levage et ne pas laisser les enfants l'utiliser ou jouer près du système de levage. Veiller à ce que toutes les parties du système de levage soient solidement fixées avant de charger l'appareil de mobilité sur la plate-forme de levage, et s'assurer que l'appareil de mobilité soit bien fixé avant de faire fonctionner le système de levage.

POSITIONNEMENT DE L' OPERATEUR

The operator of the lift should stand a safe distance from the unit being lifted/lowered to ensure that his/her feet are never positioned under the raised lift platform. The operator should also keep his/her hands clear of the lift system during operation.

POSITIONNEMENT DU VEHICULE DE TRANSPORT

Assurez-vous que votre véhicule est stationné sur un terrain plat, nivelé avant d'essayer de charger, soulever, ou retirer un appareil de mobilité avec le système de levage Backpacker. Assurez-vous que le frein de secours et de stationnement du véhicule est engagé avant le chargement ou le déchargement d'un appareil de mobilité.

III. INSTALLATION

INSTALLATION DU BACKPACKER

MISE EN GARDE! Le Backpacker doit être installé par un technicien qualifié seulement.



MISE EN GARDE! Il faut au moins deux personnes pour soulever et déposer le Backpacker à l'intérieur d'un véhicule. Utilisez une bonne technique de levage et prenez garde de tenter de soulever un poids trop grand pour vos capacités.



MISE EN GARDE! Attention à vos doigts! Ne soulevez pas la structure par les points de pivot lors de l'installation du Backpacker.

NOTE: Utilisez seulement la quincaillerie fournie avec le Backpacker pour son installation.

Suivez ces étapes pour l'installation du Backpacker:

1. Installez la trousse d'ancrage du Backpacker dans le véhicule. Reportez-vous aux instructions d'installation fournies avec le système d'ancrage.

NOTE: La trousse d'ancrage est différente en fonction du type et du modèle de véhicule. Reportez-vous aux instructions d'installation fournies avec votre système d'ancrage ou contactez votre détaillant Pride autorisé pour plus d'informations.

NOTE: Si équipé avec des bouchons, les bouchons sur le Backpacker peuvent être retirés si un dégagement supplémentaire est nécessaire.

2. Branchez le Backpacker à une source d'alimentation. Voir "Installation du câble".

NOTE: Si votre appareil de levage est équipé d'une batterie interne facultative, référez-vous à "Installation de la batterie interne".

3. Veiller à ce que toute la quincaillerie de montage soit bien serrée une fois que le système de levage ait été centrée et que tous les dégagements requis ont été atteints.

NOTE: S'il n'y a pas suffisamment de dégagement entre le pare-chocs et le châssis de la plate-forme, vous devrez peut-être installer un support à extrémité. Retirez le Backpacker de la fourgonnette et installer le support à extrémité prêt de l'ouverture de la porte arrière. Réinstaller le système de levage dans le véhicule, et s'assurer que les boulons qui dépassent de la plaque de fond du Backpacker qui sont les plus proches de la porte du véhicule s'enclenchent dans les trous taraudés sur le dessus du support d'extrémité.

NOTE: Il peut être nécessaire de couper le seuil arrière intérieur pour atteindre le dégagement de plate-forme adéquat avec la plate-forme sous charge.

NOTE: Faites attention à la trajectoire de la plate-forme de levage en cours de fonctionnement. Assurez-vous que le système de levage ne frotte pas contre ou interfère avec le véhicule en aucune façon. Si vous remarquez tout contact entre la plate-forme de levage et le véhicule, arrêtez le levage immédiatement et contactez votre détaillant Pride autorisé pour l'assistance.

4. Complétez un cycle de levage complet du Backpacker. Abaissez la plate-forme au sol, puis soulever la plate-forme jusqu'à la position de rangement dans le véhicule. Voir IV. " Fonctionnement".

NOTE: S'assurer que la vis de transport jaune et la rondelle ont été retirées de l'avant du système de levage et que la bague en caoutchouc a été installée avant le fonctionnement. Voir les figures 1 et 2.

III. INSTALLATION

MISE EN GARDE! Retirez la vis et la rondelle de transit avant de faire fonctionner le système de levage. Ne pas retirer la vis peut entraîner des dommages matériels graves.



MISE EN GARDE! Relâchez le bouton "BAS" lorsque la plateforme de levage touche le sol. Ne pas laisser tourner le moteur après que la plate-forme de levage ait touché le sol. Permettre au moteur de tourner augmente la pression sur la plate-forme de levage et peut endommager l'appareil ou le véhicule.

Installation du faisceau de câbles

Le faisceau de câbles a une longueur d'environ 25 pieds (7.62 mètres) et peut s'adapter à la plupart des véhicules.

NOTE: Avant d'installer le faisceau de câbles, vous pouvez faire un essai pour s'assurer que tout est correct. Passer une corde légère (d'une épaisseur équivalente à la jauge du faisceau de câbles) le long de la trajectoire anticipée, observez les points de contact, les points de frottement potentiel et les arêtes vives. Limez les arêtes vives avec une lime fine, puis traiter l'acier avec un inhibiteur de rouille ou un scellant de métal.

MISE EN GARDE! Passez le faisceau de câbles à travers le véhicule plutôt que sous le véhicule afin d'éviter d'entrer en contact avec des arêtes vives, des températures extrêmes, des pièces mobiles et des débris de chaussée. Des courts-circuits peuvent se produire si les fils entrent en contact avec des pièces d'échappement chaudes ou des arêtes vives.



MISE EN GARDE! Ne jamais fixer le faisceau de câbles à une source de courant secondaire. Ne tentez pas d'utiliser le câblage de remorque pour alimenter le système de levage. Le faisceau de câbles doit être branché directement à la batterie du véhicule.

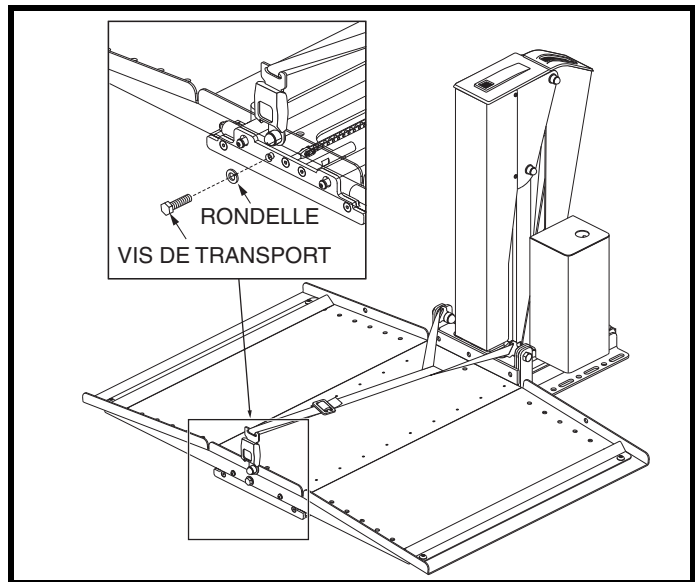


Figure 1. Retirer la vis de transit

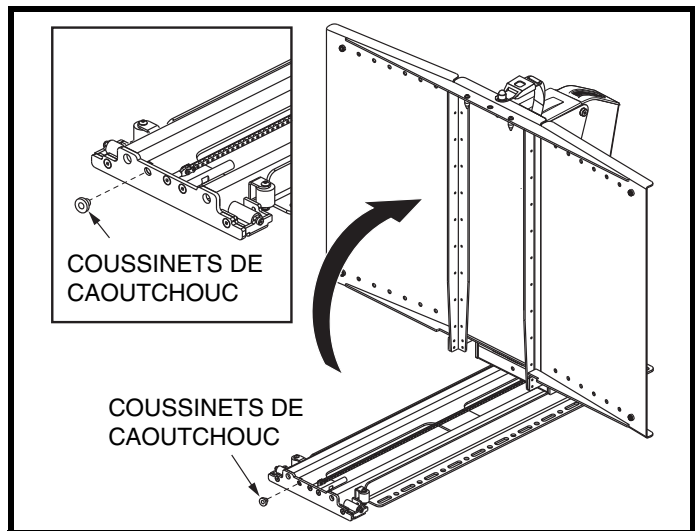


Figure 2. Localisation/Installation de la bague en caoutchouc

III. INSTALLATION

Suivez ces étapes pour installer le faisceau de câbles du Backpacker:

1. Acheminez le faisceau de câbles du système de levage (à partir du système de levage) à travers l'intérieur du véhicule jusqu'à la batterie du véhicule. **Voir la figure 3.**



MISE EN GARDE! Évitez de faire passer le faisceau de câbles là où il pourra interférer avec ou être pincé par le système d'arrimage.

2. Cachez le harnais derrière ou sous les panneaux intérieurs (il devrait y avoir des trous existants). S'assurer que le faisceau est bien protégé par un passe-fil en caoutchouc quand il traverse les panneaux métalliques et dans le compartiment du moteur.
3. À l'intérieur du compartiment du moteur, fixez le harnais au pare-feu et au garde-boue intérieur avec des serre-câbles en plastique. Veiller à ne pas causer d'abrasions au faisceau. Il est important de fixer le faisceau à différents points tout le long de sa longueur.



MISE EN GARDE! Ne pas couper ou raccourcir le faisceau de câbles. Si le faisceau est trop long, enrouler l'excès et le fixer avec des serre-câbles en plastique.

4. Retirer le fusible de 15 ampères du faisceau. **Voir la figure 3.**
5. Connectez le fil rouge à la borne positive (+) du terminal et le fil noir (terre) à la borne négative (-) de la batterie du véhicule.
6. Réinstallez le fusible de 15 ampères sur le faisceau.



MISE EN GARDE! Avant de faire fonctionner le système de levage, inspecter le faisceau de câbles pour s'assurer que le routage et la terre sont corrects. Un routage incorrect peut causer des dommages au faisceau, et une terre incorrecte peut causer des dommages au système électrique.

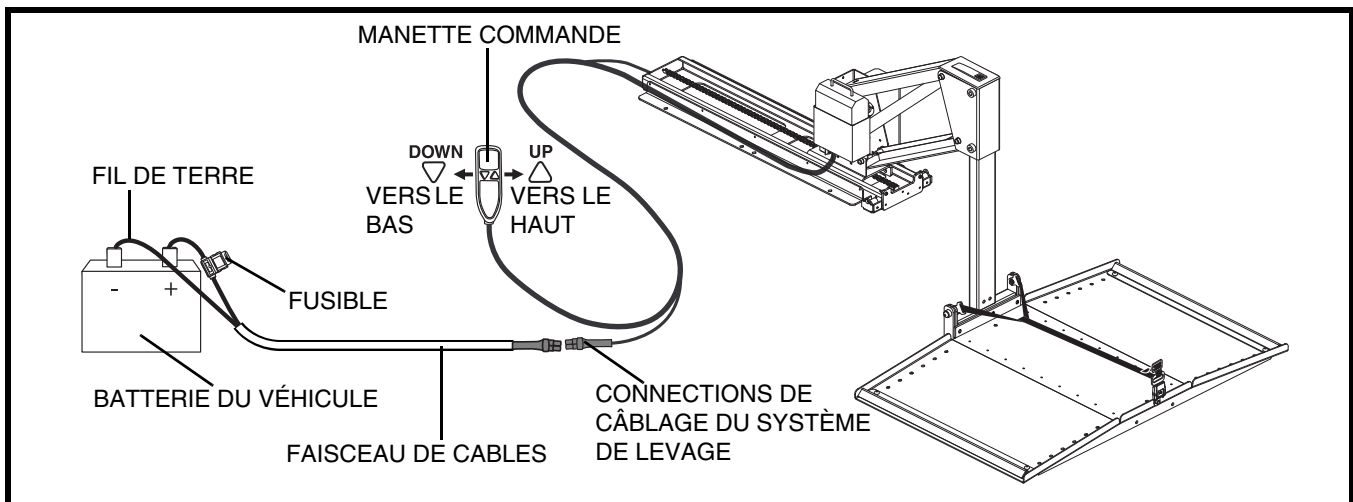


Figure 3. Installation du faisceau de câbles

III. INSTALLATION

Installation d'une batterie interne facultative

La batterie interne facultative est conçue pour faciliter l'installation sans avoir à faire passer un câble vers la batterie du véhicule. Si vous utilisez la batterie interne type II en option, s'il vous plaît référez-vous au manuel d'installation fourni avec la batterie pour les instructions de fonctionnement correct et les connexions du câblage.

Voici les étapes pour installer la batterie interne (Type I):

1. Retirez les écrous et rondelles des boulons saillants sur le côté du boîtier du moteur du système de levage. **Voir la figure 4.**
2. Faites glisser la barre d'espacement sur les boulons saillants, si pas déjà installé.
3. Montez le boîtier de la batterie sur les boulons saillants et sécuriser en position avec les écrous et les capuchons en caoutchouc retirés précédemment. **Voir la figure 4.**
4. Insérez la batterie interne dans le boîtier de la batterie, en veillant à ce que le connecteur sur le fond de la batterie s'aligne et se connecte pleinement avec le connecteur femelle à l'intérieur du boîtier de la batterie.
5. Branchez le connecteur mâle du câble de batterie avec le connecteur femelle à la base du Backpacker.
6. Fixez le câble de batterie et les autres fils avec des attaches à fil.

Voici les étapes pour installer la batterie interne (Type II):

1. Retirez les bouchons en caoutchouc, les écrous, et la barre d'espacement des boulons saillants sur le côté du boîtier du moteur du système de levage. **Voir la figure 5.**
2. Montez la base de la batterie sur les boulons saillants et sécuriser en position avec les écrous retirés précédemment. **Voir la figure 5.**
3. Insérez la batterie interne dans la base de la batterie, en veillant à ce que le connecteur sur le fond de la batterie et s'aligne et se connecte pleinement avec le connecteur femelle à l'intérieur de la base batterie.
4. Branchez le connecteur mâle du câble de batterie avec le connecteur femelle à la base du Backpacker.
5. Fixez le câble de batterie et les autres fils avec des attaches à fil.

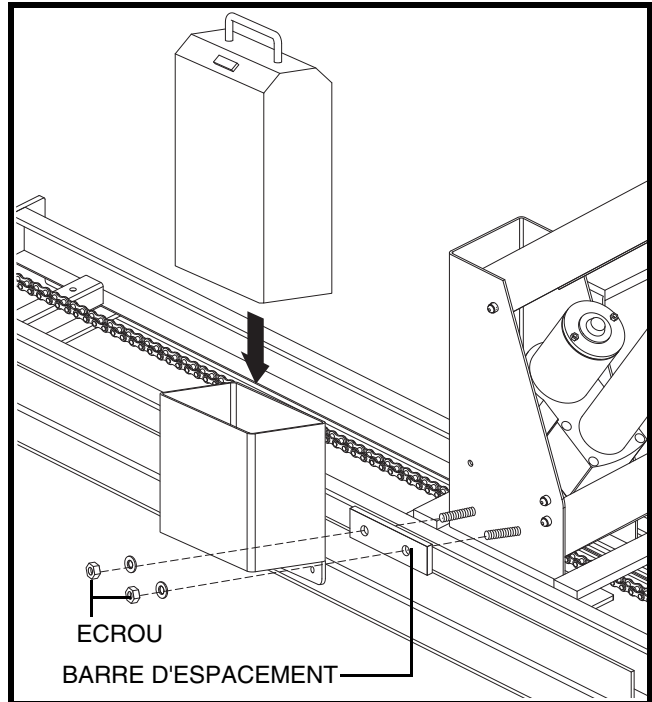


Figure 4. Installation batterie interne (Type I)

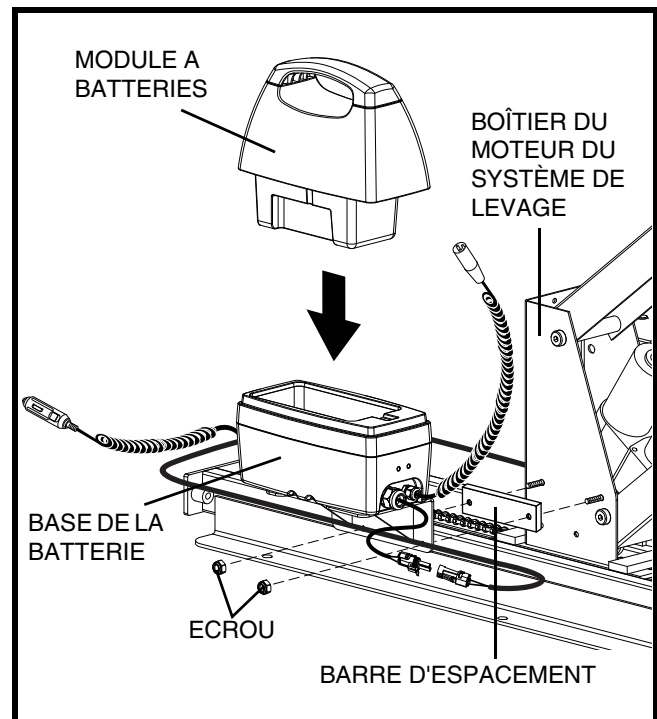


Figure 5. Installation batterie interne (Type II)

III. INSTALLATION

Réglage de la plate-forme du Backpacker AVP

Le Backpacker AV Pest équipé d'une plate-forme réglable qui peut être allongée ou raccourcie pour accueillir une large gamme d'appareils de mobilité. Voir la figure 6.

Suivez ces étapes pour ajuster la plate-forme:

1. Retirez les écrous et les boulons qui fixent les ailes réglables à la plate-forme principale.
2. Déplacez les ailes réglables à la largeur désirée.
3. Alignez les trous de réglage des ailes avec les trous de la plate-forme principale.
4. Réinstallez les écrous et les boulons, et serrez.

Installation de la cale de la roue

Votre système de levage est fourni avec deux cales de roue réglables qui aident à centrer votre appareil de mobilité pendant le chargement. Voir la figure 7 ou 8.

Suivez ces étapes pour régler les cales de roue:

1. Retirez les cales de roue.
2. Conduisez votre appareil de mobilité jusqu'à la plate-forme de levage, en le positionnant le plus proche du centre que possible.
3. Placez les cales de roue sur la plate-forme.
Scooters: Placez une cale de roue devant la roue avant(s) et derrière les roues arrière ou derrière la roue avant(s) et devant les roues arrière.
Fauteuils motorisés: Placez une cale de roue à l'avant et à l'arrière des roues motrices.
4. Prenez note des trous de réglage des cales de roues quand elles sont alignées sur la plate-forme et retirez les cales.

NOTE: Pour les scooters plus grands, les cales de roue peuvent être positionnées à l'intérieur de chaque roue.

5. Retirez l'appareil de mobilité de la plate-forme de levage.
6. Levez la plate-forme suffisamment afin d'être en mesure d'installer de la quincaillerie en dessous.
7. Placez les cales de roue sur la plate-forme de levage et les fixer avec les boulons et les écrous fournis.

NOTE: S'assurer que l'appareil de mobilité est bien fixé avec la sangle en Y avant de faire fonctionner le système de levage ou de transporter l'appareil de mobilité.

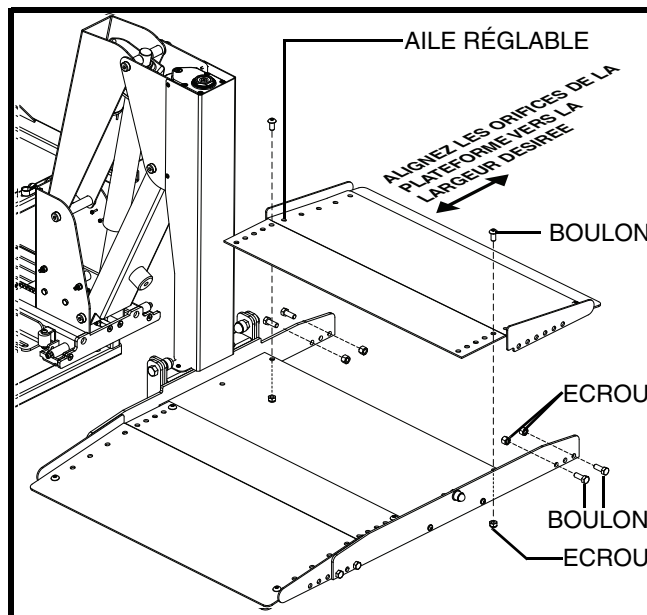


Figure 6. Réglage de la plate-forme du Backpacker AVP

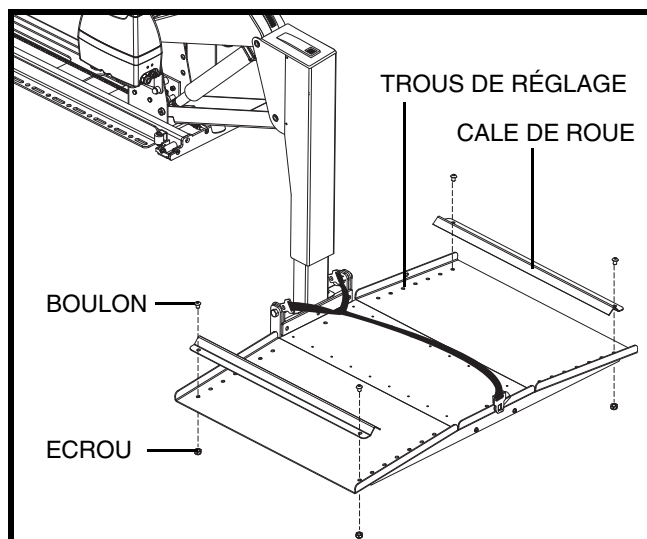


Figure 7. Installation de la cale de roue du Backpacker AVP

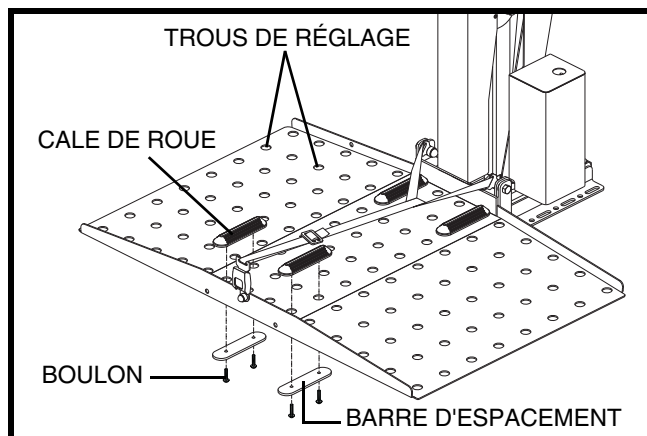


Figure 8. Backpacker Plus et MV installation de la cale de roue

IV. FONCTIONNEMENT

FONCTIONNEMENT DU SYSTÈME DE LEVAGE BACKPACKER

Le système de levage Backpacker est conçu pour soulever un appareil de mobilité inoccupé, à partir du sol à l'espace utilitaire d'un VUS ou camionnette/fourgonnette, dans le but de faciliter le transport.



MISE EN GARDE! Le système de levage Backpacker est conçu pour le transport d'appareils de mobilité inoccupés uniquement. Ne pas s'asseoir sur l'appareil de mobilité tout en activant le système de levage ou durant le transport.

MISE EN GARDE! S'assurer que le système de levage est propre, sec et exempt de toute obstruction avant de le faire fonctionner.

NOTE: Avant de transporter votre appareil de mobilité pour la première fois, s'assurer que la plate-forme restera au niveau quand l'appareil de mobilité est sur elle.

Étapes à suivre pour niveler la plate-forme:

1. Placez l'appareil de mobilité sur la plate-forme. Le poids de l'appareil permettra de déterminer les réglages nécessaires.
2. Retirez l'appareil de la plate-forme afin de faciliter l'accès aux trois vis de réglage situées là où la plate-forme se connecte au bras de descente. **Voir la figure 9.**
3. Utilisez une clé Allen 3/16-po pour faire tourner les vis de réglage selon le besoin pour niveler la plate-forme. Faire le même réglage aux trois vis de réglage.
4. Après avoir nivelé la plate-forme pour votre appareil de mobilité actuel, des réglages supplémentaires ne seront plus nécessaire jusqu'à ce qu'un appareil de mobilité différente devra être transporté.

Suivez ces étapes pour charger un appareil de mobilité avec le système de levage Backpacker:

1. Appuyez et maintenez le bouton "BAS". **Voir la figure 10.** Le système de levage se déplacera hors du véhicule jusqu'à son arrêt avant le plus éloigné, puis l'abaisser jusqu'au sol. Une fois que la plate-forme a atteint le sol, relâchez le bouton "BAS".



MISE EN GARDE! Relâchez le bouton "BAS" lorsque la plate-forme de levage touche le sol. Ne pas laisser tourner le moteur après que la plate-forme de levage a touché le sol. Laisser le moteur tourner augmentera la pression sur la plate-forme de levage et peut endommager le produit ou le véhicule.

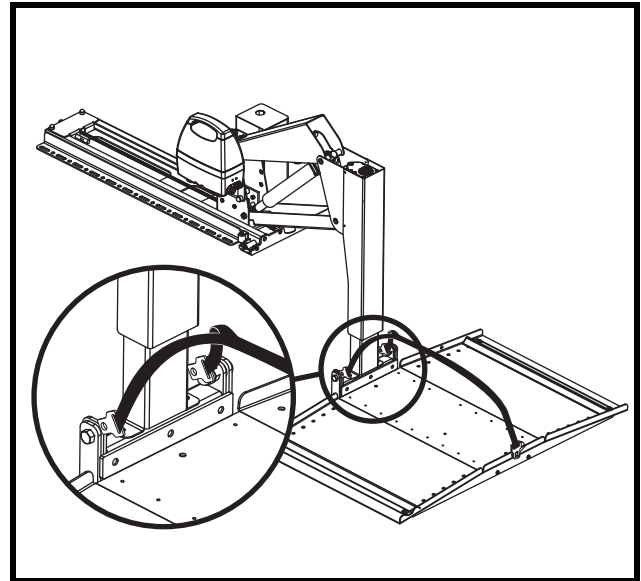


Figure 9. Boulons de réglage de la plate-forme

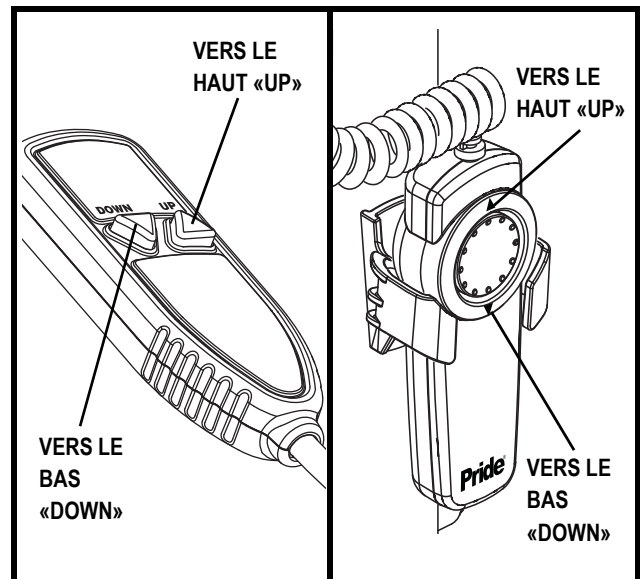


Figure 10. Les styles de la manette commande

IV. FONCTIONNEMENT

NOTE: Le moteur de levage est équipé d'un accouplement à glissement, qui émet un bruit de cliquet à la fin de chaque déplacement horizontal (vers l'avant, vers l'arrière). Ce bruit est normal et n'indique pas un problème avec votre système de levage.



MISE EN GARDE! Maintenir une distance sécuritaire de la plateforme de levage. Vérifiez que vos pieds ne sont pas placés sous la plateforme de levage et gardez vos mains à l'écart du système de levage pendant le fonctionnement.

2. Régler le contrôle de la vitesse à la vitesse minimale et conduire prudemment l'appareil de mobilité sur la plateforme de levage, en étant sûr de centrer l'appareil de mobilité entre les cales de roue précédemment installées.

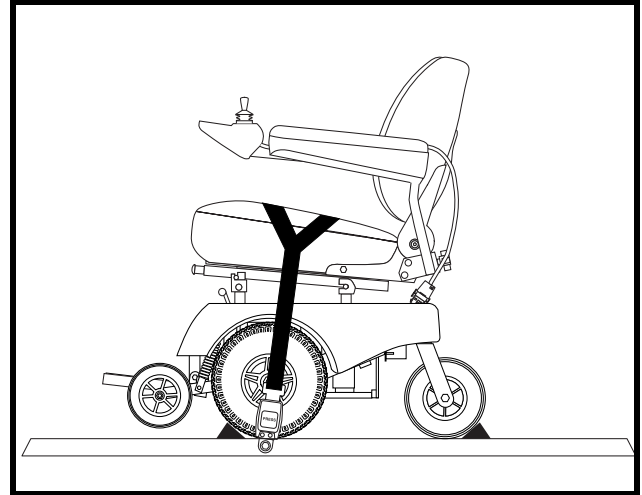


Figure 11. Positionnement de la sangle-Y

NOTE: Vous pouvez charger l'appareil de mobilité tout en vous tenant à côté de l'appareil et utilisant la fonction manuelle roue libre. Se référer au manuel du propriétaire de l'appareil de mobilité pour plus d'informations sur le mode manuel de roue libre.

3. Éteindre l'appareil de mobilité, retirer la clé le cas échéant, et s'assurer que l'appareil est en mode d'entraînement (moteurs d'entraînement engagés). Se référer au manuel du propriétaire de l'appareil de mobilité pour plus d'informations sur le mode d'entraînement.



MISE EN GARDE! Ne laissez jamais un appareil de mobilité en mode roue libre durant le levage, car l'appareil de mobilité pourrait rouler ou se déplacer de lui-même.

4. Fixez l'appareil de mobilité à la plateforme en enroulant la sangle-Y autour du siège et en bouclant la sangle solidement. Voir la figure 11.



MISE EN GARDE! S'assurer que la zone derrière le système de levage n'est pas obstruée.



MISE EN GARDE! Ne jamais tenter de sécuriser la sangle-Y sur le dossier ou les accoudoirs de l'appareil de mobilité.



OBLIGATOIRE! Toujours fixer l'appareil de mobilité sur le système de levage avec la sangle-Y avant de faire fonctionner le système de levage ou durant le transport.

5. Tirer fort sur l'extrémité de la sangle pour éliminer tout jeu en excès autour du siège.

NOTE: Inspecter la sangle-Y avant chaque utilisation pour s'assurer qu'il n'y a aucun signe d'effilochage ou d'usure. S'assurer que l'appareil de mobilité soit bien fixé avant le transport. Pridemobility n'est pas responsable des dommages ou pertes résultants d'une mauvaise fixation de l'appareil de mobilité.

6. Appuyez et maintenez le bouton "HAUT". Voir la figure 10. Le système de levage se déplacera jusqu'à son point le plus élevé, puis faites le glisser dans le VUS ou la fourgonnette. Une fois que l'appareil de mobilité est rangé complètement à l'intérieur du véhicule, relâchez le bouton.

IV. FONCTIONNEMENT

NOTE: Assurez-vous que le VUS ou fourgonnette dispose d'une hauteur libre suffisante pour tenir compte de la hauteur de l'appareil de mobilité avant de le charger dans le véhicule. Abaissez le guidon, ajuster l'angle du dossier, ou retirer le siège si nécessaire. Se référer au manuel du propriétaire de l'appareil de mobilité pour plus d'informations sur ces réglages.



MISE EN GARDE! Ne pas dépasser les limites de charge de votre véhicule tel que spécifié par le fabricant du véhicule.

MISE EN GARDE! Ne pas s'asseoir sur votre appareil de mobilité alors qu'il est dans un véhicule en mouvement.

Lorsque vous êtes prêt à retirer l'appareil de mobilité du véhicule, abaissez la plate-forme au sol, détacher la sangle-Y, et conduire l'appareil de mobilité hors de la plate-forme. Une fois le déchargement terminé, retournez la plate-forme de levage dans le véhicule.

FONCTIONNEMENT EN COMMANDE MANUELLE

Le système de levage est équipé d'une fonction de commande manuelle qui, en cas de panne de courant, permet au système de levage d'être positionné manuellement. En utilisant les outils fournis, il est possible de soulever ou d'abaisser la plate-forme (Backpacker MV seulement), de soulever ou d'abaisser le bras de la tour, et de déplacer le système de levage vers l'avant ou vers l'arrière.

NOTE: Les outils nécessaires pour la commande manuelle sont inclus avec le système de levage. (Perceuse pas incluse.)

La plate-forme de levage Backpacker MV peut être élevée/abaissée à partir du point de réglage située au sommet du système de levage (voir la figure 13).

NOTE: Certains systèmes de levage MV ont seulement une ouverture unique de réglage sur le moteur. Voir la figure 14.

INTERDIT! Lorsque vous utilisez la méthode illustrée dans la figure 13 NE PAS utiliser l'arbre-flex pour élever ou abaisser manuellement la plate-forme. Fixez le matériel nécessaire directement à la perceuse.



INTERDIT! Ne jamais déplacer manuellement l'arrière du système de levage avec la plate-forme du système de levage dans la position abaissée. S'assurer que la plate-forme de levage soit totalement relevée et le bras de la tour soit complètement rétracté. Voir la figure 16.

Pour faire fonctionner en commande manuelle:

1. Fixez l'extrémité appropriée de l'arbre-flex à une perceuse, et selon quelle partie du système de levage vous voulez déplacer, attachez la quincaillerie appropriée à l'autre extrémité de l'arbre-flex. Voir la figure 13, 14, 15, et 16.
2. Insérez l'arbre-flex dans l'ouverture de réglage appropriée du système de levage.
3. Mettre en marche la perceuse afin d'assurer que le système de levage se déplace dans la direction souhaitée. Changer le sens de rotation de la perceuse, si nécessaire.
4. Gardez la perceuse en marche jusqu'à ce que le système de levage atteigne la position désirée.

NOTE: Lorsqu'une perceuse électrique n'est pas disponible, la clé de réglage manuel peut être utilisée. Voir la figure 17. Fixez la petite ouverture de la clé de réglage manuel à l'arbre-flex ou quincaillerie hexagonale et tournez manuellement dans la direction dans laquelle vous voulez déplacer le système de levage.

IV. FONCTIONNEMENT

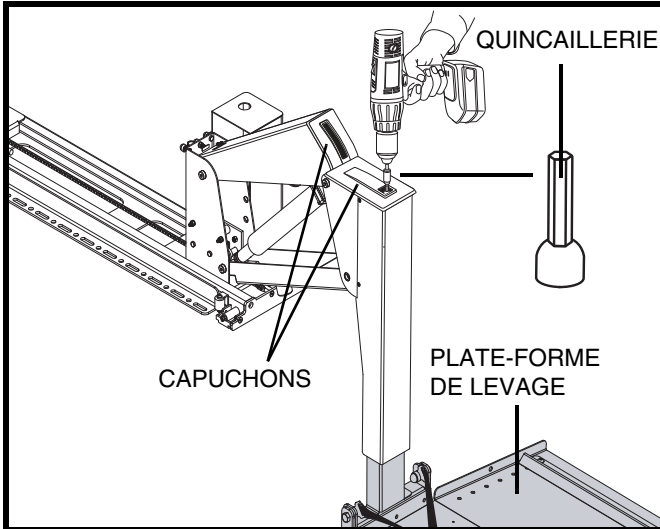


Figure 13. Élever ou abaisser la plate-forme. **NE PAS utiliser l'arbo-flex pour cette opération (Backpacker MV SEULEMENT)**

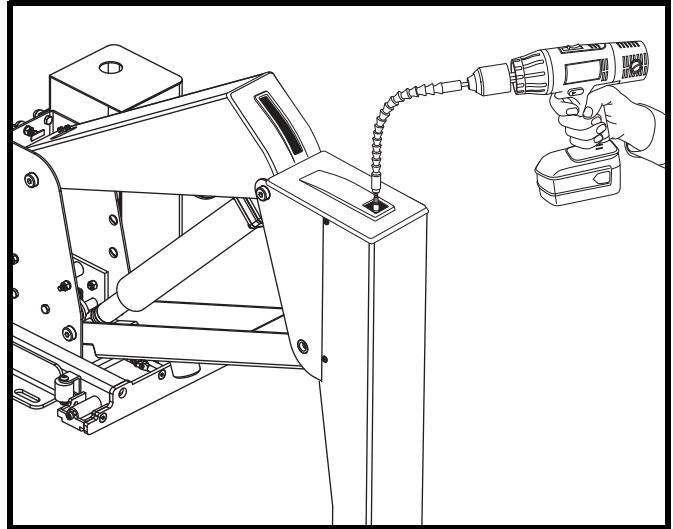


Figure 14. Élever ou abaisser la plate-forme (ouverture de réglage unique) Backpacker MV SEULEMENT

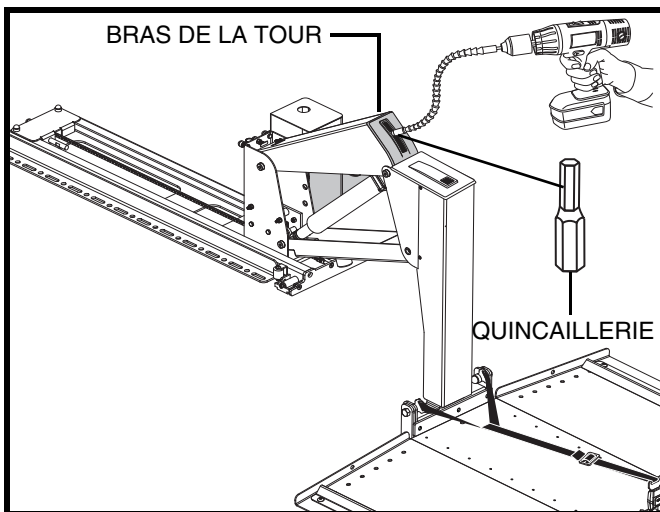


Figure 15. Élever ou abaisser le bras de la tour

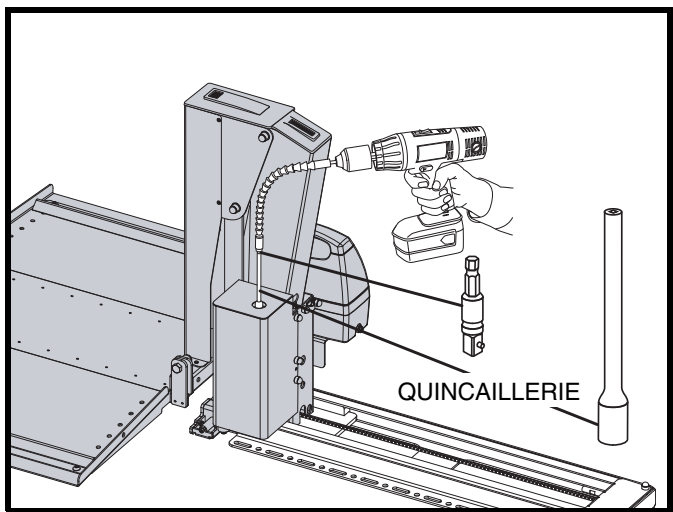
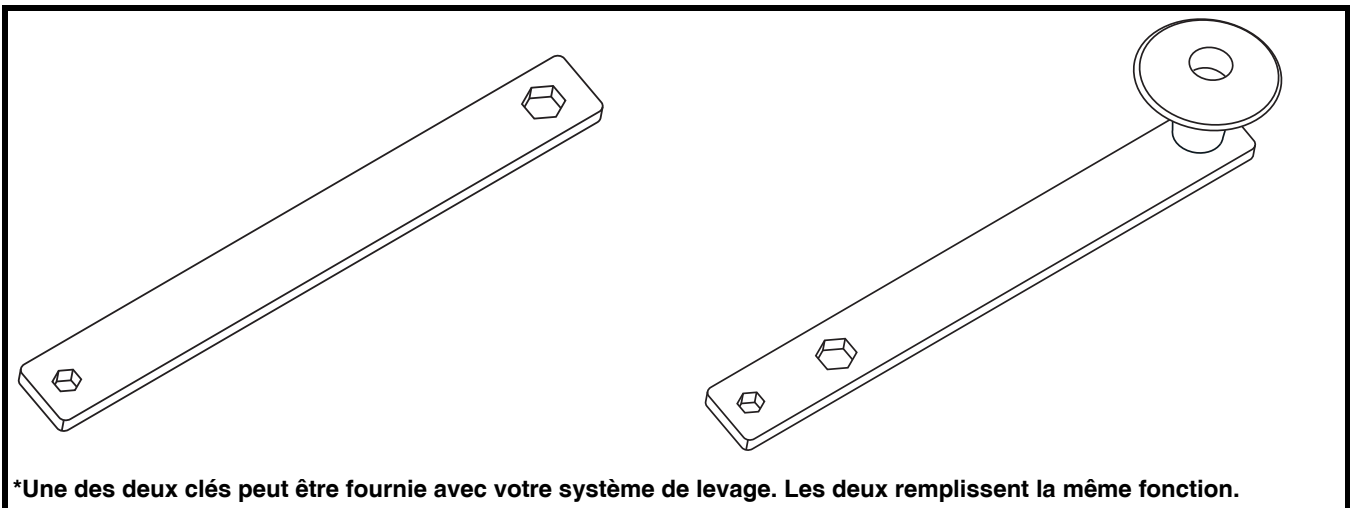


Figure 16. Déplacement de l'avant vers l'arrière



*Une des deux clés peut être fournie avec votre système de levage. Les deux remplissent la même fonction.

Figure 17. Clé de réglage manuel

V. SOINS ET ENTRETIEN

SOINS ET ENTRETIEN

Votre Travel Scooter demande un minimum de soins. Si vous croyez ne pas posséder les connaissances et habiletés pour exécuter les consignes suivantes, vous pouvez les faire exécuter par votre détaillant Pride. Les points suivants demandent un entretien périodique. Le non-respect des procédures d'entretien requises aux intervalles requis peut annuler votre garantie.

Faisceau de câbles et commande manuelle

- Le faisceau de câbles doit être vérifié périodiquement pour la corrosion et/ou dégradation. Contactez votre détaillant Pride autorisé si le faisceau de câbles doit être remplacé.
- Évitez d'exposer la manette aux intempéries et aux températures extrêmes sous peine de l'endommager.



INTERDIT! Même si votre Travel Scooter a réussi un test de résistance à l'humidité, éloignez-le des sources d'humidité ou de liquide tel que l'eau de lavage et l'incontinence. Inspectez régulièrement les composantes pour déceler la corrosion.

Composants métalliques de la plate-forme de levage

- Examinez la plate-forme de levage pour usure ou dommages. Contactez votre détaillant Pride autorisé pour la réparation ou le remplacement.
- La surface de la plate-forme de levage peut devenir glissante si elle est exposée à l'humidité (conditions de glace, neige, pluie, brouillard/pulvérisation, etc.) Faites preuve de prudence lors du chargement/déchargement d'un appareil de mobilité dans ces conditions et essuyez tout excès d'humidité sur la plate-forme de levage.
- Inspectez régulièrement les composants métalliques de la plate-forme pour éraflures. Traiter toutes les zones qui ont des problèmes avec un inhibiteur de rouille ou scellant de métal.

PROGRAMME D'ENTRETIEN:

Effectuez avant l'usage quotidien:

- Vérifiez tous les connecteurs électriques extérieurs pour dommages et les remplacer si nécessaire.
- Vérifiez si la quincaillerie est endommagée ou desserrée. Serrer ou remplacer si nécessaire.

Effectuez tous les 6 mois:

- Inspectez toute la quincaillerie de montage pour défauts et pour s'assurer que tout est bien réglé. Toute quincaillerie qui est desserrée doit être serrée ou remplacée si nécessaire.
- Retirez et inspectez les boulons de pivot sur les bras parallèles et lubrifiez ou remplacez si nécessaire.

NOTE: Utilisez uniquement un "lubrifiant à base de pétrole anti-grippage."

Effectuer tous les 6 à 12 mois:

- Lubrifiez les chaînes avec "un lubrifiant général à base de pétrole".
- Lubrifiez l'arbre d'entraînement camion avec "un lubrifiant à base de pétrole anti-grippage" seulement.
- Inspectez les rouleaux de base et les remplacer si nécessaire.
- Si les rouleaux de base ont été remplacés, réajustez le boulon du système de levage pour un alignement correct des bras parallèles.
- Inspectez la chaîne pour une tension correcte et ajuster si nécessaire.

NOTE: La chaîne doit avoir 1.27 cm (1/2 po) de déflexion dans les deux sens lorsque le camion est complètement sorti et en contact avec le devant du micro interrupteur.

VI. PROBLEMS ET SOLUTIONS

PROBLEMS ET SOLUTIONS

Tout dispositif électromécanique nécessite parfois un peu de dépannage. Cependant, la plupart des problèmes qui peuvent surgir peuvent généralement être résolus en réfléchissant un peu et avec un bon sens. Plusieurs de ces problèmes se produisent soit parce que les batteries ne sont pas complètement chargées ou soit parce que les batteries sont usées et ne peuvent plus garder la charge.

Que faire si le moteur de mon système de levage ne fonctionne pas?

- Assurez-vous que la batterie interne et la batterie du véhicule sont complètement chargées.
- Assurez-vous que toutes les connexions du moteur et de la batterie sont sécurisées.
- Vérifiez le faisceau de câbles pour des signes d'usure ou de dégradation. Remplacez le faisceau si nécessaire.

Que faire si le système de levage fonctionne lentement vers le haut ou vers le bas?

- Assurez-vous que la batterie interne et la batterie du véhicule sont complètement chargées.
- Assurez-vous que toutes les connexions du moteur et de la batterie sont sécurisées.
- Vérifiez le faisceau de câbles pour des signes d'usure ou de dégradation. Remplacez le faisceau si nécessaire.

Que faire si la plate-forme de levage ne s'abaisse pas complètement au sol?

Assurez-vous que la zone sous la plate-forme de levage est libre de toute obstruction.

VII. GARANTIE

GARANTIE LIMITEE TRANSFERABLE DE TROIS ANS

Pride réparera ou remplacera à ses frais, pour une période de 3 ans pour l'acheteur d'origine seulement, les pièces défectueuses (matériel ou fabrication) après qu'un représentant autorisé Pride ait inspecté l'appareil:

Cette garantie ne s'applique pas aux pièces sujettes à l'usure normale.

- Main-d'oeuvre, appel de service, frais de transport ou tous autres frais, sauf s'ils ont été autorisés au préalable par Pride.

Dommages causés par:

- Contamination
- Négligence, abus, accidents, mauvais usage
- Fuites ou renversements du liquide des batteries
- Utilisation commerciale ou anormale
- Utilisation, entreposage ou entretien non conforme
- Réparations ou modifications faites sans l'approbation écrite de PrideMobility Products.
- Circonstances hors du contrôle de Pride Mobility Products

Pride ne peut pas être tenue responsable des défauts dans le véhicule automobile dans lequel le système de levage est installé, des défauts du système de levage et/ou système d'arrimage causés par des défauts dans n'importe quelle partie du véhicule, ou des dommages au véhicule causés par l'installation ou par le fonctionnement du système de levage.

GARANTIE DE UN AN

La batterie est protégée par une garantie distincte de un (1) an du fabricant. Les batteries ne sont pas garanties par Pride Mobility Products.

SERVICE ET REPARATION SOUS GARANTIE

Le service sous garantie doit être fait par un détaillant autorisé Pride. Ne retournez pas de pièces sans l'autorisation écrite de Pride. Tous les frais de transport et assurances sont sous la charge de l'acheteur.

Le non-respect des instructions contenues dans ce manuel et/ou sur les autocollants apposés sur votre appareil peut provoquer des accidents avec blessures, des dommages et entraîner l'annulation de la garantie.

Il n'y a pas d'autre garantie expresse.

GARANTIES IMPLICITES

Les garanties implicites incluant celles concernant la "commercialité" du produit et sa conformité à l'usage prescrit sont limitées à un (1) an à compter de la date d'achat et jusqu'à la limite prescrite par la loi. Ceci est la seule garantie. Pride ne peut être tenu responsable des dommages résultant des garanties.

Certains états et certaines provinces ne permettent pas l'utilisation de clauses d'exclusion ou de limitation aux dommages accessoires et aux dommages consécutifs à l'utilisation d'un produit.

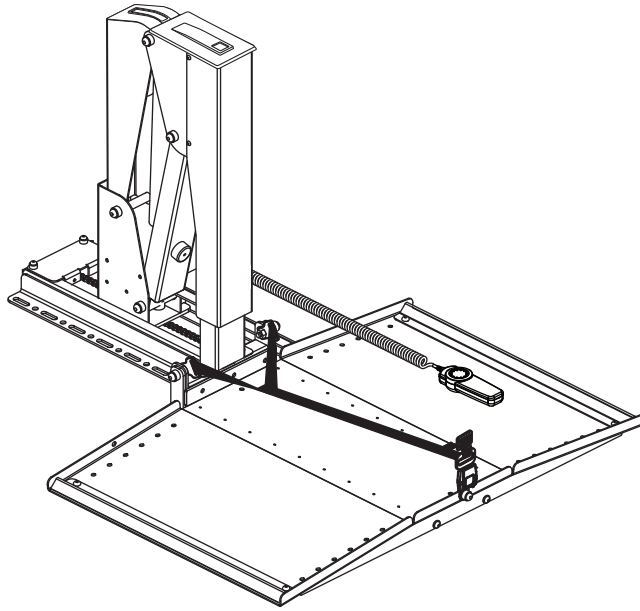
Cette garantie vous donne des droits. Par ailleurs, certains états et certaines provinces vous en accordent d'autres qui peuvent varier d'un état à l'autre ou d'une province à l'autre.

S.V.P. complétez et retournez la carte d'enregistrement de garantie chez Pride Mobility Products. Nous pourrions ainsi vous fournir un meilleur soutien technique.

NOTES

NOTES

NOTES



Pride[®] Lifts & Ramps

www.pridemobility.com

I NFMANU3698