

DEALER INFORMATION		RTS INFORMATION	
Dealer:	Account #:	RTS:	Phone:
PO:	Ordered By:	Email:	
Email:		SHIP TO INFORMATION	
Mark For:		Name:	Ship Via:
TiLite Sales Rep:		Address:	
TiLite Information:	Promo Code:	City:	State: Zip:
Ship Date:	Order #:	Phone:	Fax:

Please Email or Fax to the TiLite Customer Service Team at orders@tilite.com or 866.586.2413 / 509.586.2413

3 TAFS1 **TiLite TRA** (Full Adjustability, 265 Pound Weight Limit. For Rear Seat Width **A** and Seat Depth **B** of 15" or greater, use K0005. For Rear Seat Width **A** and Seat Depth **B** of less than 15", use E1235.).....**\$3,195 K0005**

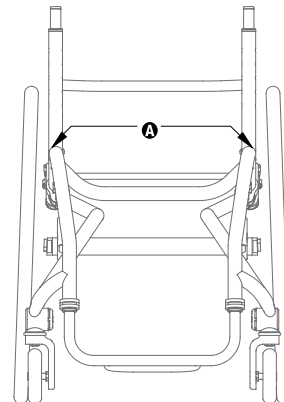
3 TIFIT: TAILORED INDIVIDUALIZED FRAME

SEAT WIDTH A Measure from outside of seat tube at back post to the outside of the opposite seat tube at back post.

- TASW1 12" 13" 14" 15" 16" 17" 18" 19".....**STD**
- TASW2 20" (HCPCS code only applies to 20" Rear Seat Width **A**.).....**\$450 E2201**

SEAT DEPTH B Measure from front of back post to the front edge of seat sling. Front edge of seat sling will be .5" behind bend at front of chair frame, unless Glide™ or a 90° Front Angle is ordered, in which case front edge of seat sling begins approximately 1" behind the bend.

- TASD1 12" 13" 14" 15" 16" 17" 18" 19".....**STD**
- TASD2 20".....**\$475 E2203**
- TASD3 Custom Frame Depth: _____" Frame Depth Longer or Shorter Than Seat Depth (A Custom Frame Depth of 20" is \$475.).....**NCO**



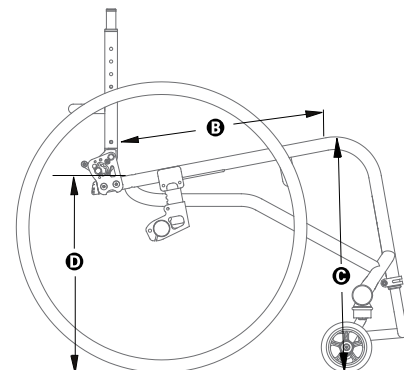
FRONT SEAT HEIGHT C Measure from floor to top of seat tube at beginning of bend. TRA adjusts up and down in 1/2" increments.

- TAFSH1 15" 15.5" 16" 16.5" 17" 17.5" 18" 18.5" 19" 19.5" 20" 20.5" 21".....**STD**

REAR SEAT HEIGHT D Measure from floor to top of seat tube at back post. TRA adjusts up and down in 1/2" increments.

REAR SEAT HEIGHT RANGES

Rear Wheel Size	Rear Seat Height D	
20"	13"- 19"	TARSH1 <input type="checkbox"/> 13" <input type="checkbox"/> 13.5" <input type="checkbox"/> 14" <input type="checkbox"/> 14.5"
22"	14"- 20"	<input type="checkbox"/> 15" <input type="checkbox"/> 15.5" <input type="checkbox"/> 16" <input type="checkbox"/> 16.5"
24"	15"- 21"	<input type="checkbox"/> 17" <input type="checkbox"/> 17.5" <input type="checkbox"/> 18" <input type="checkbox"/> 18.5"
25"	15.5"- 21"	<input type="checkbox"/> 19" <input type="checkbox"/> 19.5" <input type="checkbox"/> 20" <input type="checkbox"/> 20.5"
26"	15.5"- 21"	<input type="checkbox"/> 21"..... STD



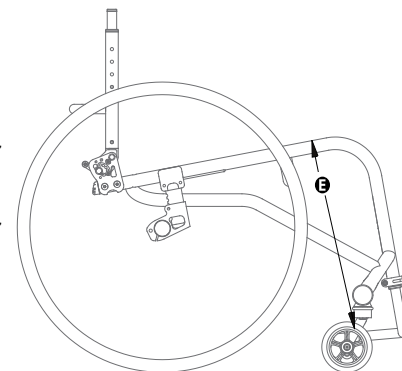
SEAT TO FOOTREST E/FOOTRESTS Measure from front edge of seat sling to top rear of Footrest.

Standard Footrests Measurement must be at least 2" shorter than Front Seat Height **C**.

- 13.5" 14" 14.5" 15" 15.5" 16" 16.5" 17"
- 17.5" 18" 18.5" 19"
- TAFTR3 Angle Adjustable Footrest**STD**
- TAFTR1 Titanium Footrest w/Flat ABS Cover.....**NCO**
- TAFTR2 Titanium Open Loop Footrest**\$225**
- TAFTR12 Flip-Back Footrest (Not available with ABS Cover with 2" Sides or Front Roller.).....**\$150 K0040, K0037**

High Mount Footrest

- 7"-9" 9"-11" 11"-13 Set at _____ (Use 1/2" increments)
- TAFTR4 Angle Adjustable High Mount Footrest**\$95 K0040, K0037**
- TAFTR14 **ABS Cover w/2" Sides** (Not available with Flip-Back Footrest.).....**\$95 K0041**



THE ULTIMATE RIDE.®
 tilite.com
 2701 West Court Street | Pasco, Washington 99301
 509.586.6117 Tel | 800.545.2266 Toll-Free
 509.586.2413 Fax | 866.586.2413 Toll-Free Fax

TIFIT: TAILORED INDIVIDUALIZED FRAME

SEAT BACK TYPE/PUSH HANDLES/SEAT BACK HEIGHT ① Measure from top of back post to top of seat tube at rear of frame.

SEAT BACK TYPE

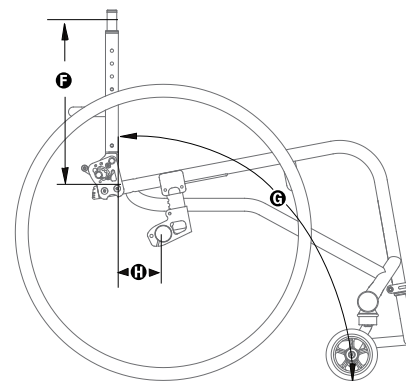
- TASB1 Folding Aluminum Adjustable Height.....**NCO**
- TASB2 Folding Titanium Adjustable Height with New Rounded Rigidizer Bar
(Titanium back will match Frame Finish. Not available with Bolt-On Push Handles.)...**\$225**

TISHAFT™ BACK RELEASE BARS

- TASB3 Aluminum**STD**
- TASB4 Titanium.....**\$65**
- TASB5 Carbon Fiber.....**\$65**

PUSH HANDLES

- TASB6 Integrated Push Handles.....**\$85**
- TASB7 Integrated Fold-Down Push Handles (Requires Tension Adjustable by Straps Back Upholstery.).....**\$100**
- TASB8 Bolt-On Push Handles (Includes 4" Deep Backrest Rigidizer Bar. Not available with Ti Back.).....**\$175**
- TASB9 Bolt-On Height-Adjustable Push Handles (Includes 4" Deep Backrest Rigidizer Bar. Not available with Ti Back.).....**\$295**



SEAT BACK HEIGHT ①

Push Handles (Selected Above)	Short	Medium	Tall	Set at: (Use 1/2" increments)
None / Bolt-On	<input type="checkbox"/> 8.5"- 11.5"	<input type="checkbox"/> 12"- 16.5"	<input type="checkbox"/> 16.5"- 20.5"	Set at: _____
Integrated	<input type="checkbox"/> 10.5"- 12.5"	<input type="checkbox"/> 13.5"- 16.5"	<input type="checkbox"/> 17.5"- 20.5"	Set at: _____
Integrated Fold-Down	<input type="checkbox"/> 13"- 15.5"	<input type="checkbox"/> 14"- 18.5"	<input type="checkbox"/> 18.5"- 21"	Set at: _____

AVAILABLE ON ALL BACKS

- TASB11 Backrest that Locks when Folded.....**NCO**
- TASB12 4" Deep Backrest Rigidizer Bar (Not available with new Titanium Rounded Rigidizer Bar.).....**NCO**
- TASB13 Custom Height Backrest Rigidizer Bar (The Standard Rigidizer Bar height is 5" above the Seat Sling for a short, 6" for a medium and 10" for a tall. Custom Height Rigidizer Bar must be at least 4-1/2" above Seat Sling Maximum Height is 3" less than Lowest Seat Back Height.).....**\$150**
Set at: _____ (Use 1/4" increments)

SEAT BACK ANGLE ② Measure angle from front of back post to floor.

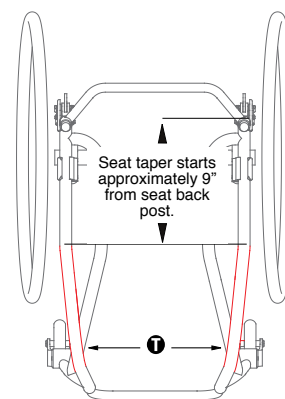
- TASBA1 80° 83° 86° 89° 92° 95° 98° 101°.....**STD**

CENTER OF GRAVITY ③ Measure from front of back post at the seat tube to the center of the rear axle. If no center of gravity is selected, chair will ship with the center of gravity in the rearward-most position.

- TACOG1 1" 1.25" 1.5" 1.75" 2" 2.25" 2.5" 2.75" 3" 3.25" 3.5" 3.75" 4" 4.25" 4.5" 4.75" 5" 5.25" 5.5" 5.75" 6".....**STD**

FRONT SEAT WIDTH (SEAT TAPER) ④ Measure from inside of front frame tube to inside of opposite front frame tube.

- TAFSW1 No Taper (2" Narrower than Rear Seat Width A).....**STD**
- TAFSW2 1" Taper (3" Narrower than Rear Seat Width A. Includes Tension Adjustable by Straps Seat Upholstery.).....**\$250**
- TAFSW4 2" Taper (4" Narrower than Rear Seat Width A. Includes Tension Adjustable by Straps Seat Upholstery.).....**\$250**
- TAFSW6 3" Taper (5" Narrower than Rear Seat Width A. Includes Tension Adjustable by Straps Seat Upholstery.).....**\$250**

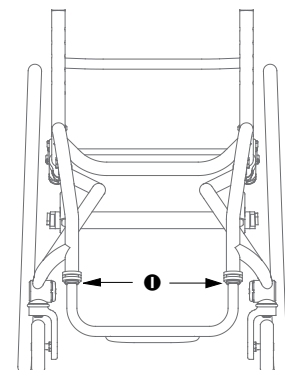


FOOTREST WIDTH ⑤ Select a Standard Front End below.

TAFE1 **STANDARD FRONT END** ⑥ Find your Rear Seat Width A in the Chart below and select one of the options to the right. Measure from inside of front frame tube to inside of opposite front frame tube.....**STD**

REAR SEAT WIDTH A (Outside Measurement)	FOOTREST WIDTH ⑤		
	No Taper (2" Narrower than Rear Seat Width)	2" Taper (4" Narrower than Rear Seat Width)	4" Taper (6" Narrower than Rear Seat Width)
12"	<input type="checkbox"/> 10"	<input type="checkbox"/> 8"	
13"	<input type="checkbox"/> 11"	<input type="checkbox"/> 9"	
14"	<input type="checkbox"/> 12"	<input type="checkbox"/> 10"	<input type="checkbox"/> 8"
15"	<input type="checkbox"/> 13"	<input type="checkbox"/> 11"	<input type="checkbox"/> 9"
16"	<input type="checkbox"/> 14"	<input type="checkbox"/> 12"	<input type="checkbox"/> 10"
17"	<input type="checkbox"/> 15"	<input type="checkbox"/> 13"	<input type="checkbox"/> 11"
18"	<input type="checkbox"/> 16"	<input type="checkbox"/> 14"	<input type="checkbox"/> 12"
19"	<input type="checkbox"/> 17"	<input type="checkbox"/> 15"	<input type="checkbox"/> 13"
20"	<input type="checkbox"/> 18"	<input type="checkbox"/> 16"	<input type="checkbox"/> 14"

OR



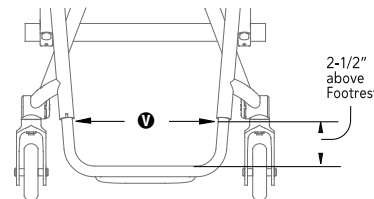
TIFIT: TAILORED INDIVIDUALIZED FRAME

TAFE2 V-FRONT END Measure from inside of front frame tube to inside of opposite front frame tube 2-1/2" above footrest.

(Titanium Footrests have 1" of adjustment up and down.)\$250

NO V-Front Taper

- 8" 8.5" 9" 9.5" 10" 10.5" 11" 11.5"
 12" 12.5" 13" 13.5" 14" 14.5" 15" 15.5"
 16" 16.5" 17" 17.5"



REAR WHEEL SPACING /PLUGS Measure from outside of seat back post to inside of rear tire.

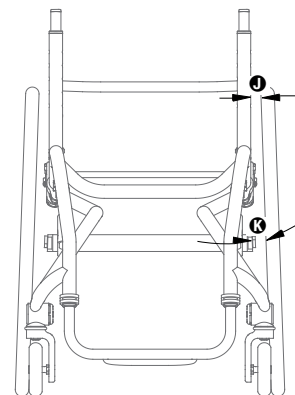
.75" Rear Wheel Spacing not available with 0° or 2° Camber .

TARWS1 .75" 1" 1.25" 1.5" 1.75" 2".....STD

TACBR12 Adjustable Rear Wheel Spacing Camber Plugs.....STD

TACBR9 Additional Spacers to Increase Rear Wheel Spacing.....NCO

TACBR11 Zero Play Aluminum Camber Plugs (Not available with more than 6° of Camber .).....NCO



CAMBER /CAMBER TUBES

TACBR1 0° 2° 4° 6° 8° 12°STD

TACBR2 15° 18°.....\$75

TACBR15 Aluminum Camber Tube.....STD

TACBR3 Titanium Camber Tube (Not available with Power Adaptable Frame.).....\$175

TACBR6 Carbon Fiber Camber Tube (Not available with Power Adaptable Frame or more than 6° of Camber.).....\$175

TACBR13 Camber for Additional Camber Tube 0° 2° 4° 6° 8° 12°
 (More than 6° of Camber is not available with Zero Play Aluminum Camber Plugs or Carbon Fiber Camber Tube).....STD

TACBR14 15° 18°.....\$75

TACBR4 Additional Titanium Camber Tube.....\$225

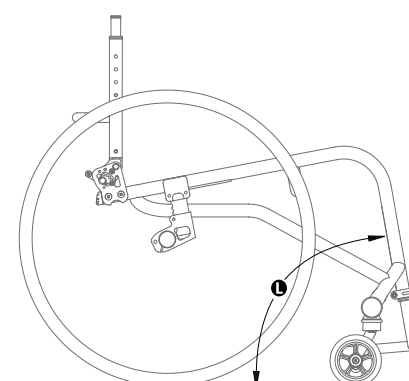
TACBR7 Additional Carbon Fiber Camber Tube.....\$225

TACBR5 Additional Aluminum Camber Tube\$100

FRONT ANGLE Measure from frame front to floor.

TAF A1 70° 80° 85° (Not available with 6" Front Wheels.)

90° (Not available with 5" or 6" Front Wheels.).....STD



FRAME STYLE

TILITE SPECIAL EDITIONS If selecting one of the TiLite Special Editions you must still fill out the entire order form. Edition options will override inconsistent selections. Options cannot be added or deleted.

TAP1 **SuperLite Edition**

TAFAT2 Titanium Open Loop Footrest\$225

TASB2 Folding Titanium Back.....\$225

TASB5 Carbon Fiber TiShaft™ Back Release Bar.....\$65

TACBR6 Carbon Fiber Camber Tube (Not available with a Power Adaptable Frame. When a Power Adaptable Frame is selected, an Aluminum Camber Tube will be used.).....\$175

TAFK2 TiLite Slipstream Single-Sided Fork.....\$150

TATFS1 Titanium Fork Stems.....\$50

Retail: \$890

SuperLite Edition Price: \$755

TAP5 **Black Edition** (Black Edition includes: Black Lava Frame Color, Black Anodize Package, LiteSpeed Front Wheels (Must Choose Front Wheel Size on PAGE 4.), Carbon Fiber TiShaft™ Back Release Bar and TiLite Slipstream Single-Sided Fork.)\$950

Exclusive To The Black Edition

Black on Black Tattoo

Black Lava Footrest

Carbon Fiber Backrest Stripe with Black TiLite Logo

Stainless Quick Release Axles with Black TiLite Tattoo



TAP4 **Armed Forces Edition** (Armed Forces Edition can be ordered in combination with any of the other Frame Styles. Satin or Polished Natural Titanium Finishes may also be selected with Armed Forces Edition. Neoprene Impact Guards will match Digital Camo when ordered.).....\$140

TAAF1 Army (Subdued Green painted frame with ACU digital upholstery.)

TAAF2 Navy (Subdued Dark Blue painted frame with NWU digital upholstery.)

TAAF3 Air Force (Subdued Green painted frame with New ABU digital upholstery.)

TAAF4 Marines (Subdued Tan painted frame with MARPAT - Desert digital upholstery.)

TAAFP1 4" Logo Patch **OR** TAAFP2 Name Tape Patch

TAAFP3 Combat Wounded Purple Heart Patch

TAPWR1 **Power Adaptable Frame for Frank Mobility System** (No charge when 20" Rear Seat Width and 20" Seat Depth are selected. Requires LiteSpeed Billet Aluminum Front Wheels and a 0 degree camber. Not available with Carbon Fiber or Titanium Camber Tubes or Titanium Quick Release Axles, Slipstream Forks or User Friendly Flip-Up Anti-Tips.).....\$300

TARFR1 **Reinforced Frame** (No charge when 20" Rear Seat Width and 20" Seat Depth are selected.)\$300

FRAME FINISHES

Natural Titanium

- TAFF1 Satin **STD**
- TASCBT1 Satin Finish Buffing Pads..... **\$15**
- TAFF2 Polished **\$650**
- TAFF3 **Tattooed Titanium™** (*Tattoos on front frame tubes. Frame finished in Satin. Click on the images below to view the Tattoos online.*)..... **\$295**
- TAFF31 The King of Rock
- TAFF32 Aloha
- TAFF33 Snow Leopard
- TAFF34 Wood Grain



- | | | | |
|--------------------------|---|--|---|
| High Gloss Paint | TAFF8 <input type="checkbox"/> Super Wet Black | TAFF9 <input type="checkbox"/> Sunburst Yellow | TAFF10 <input type="checkbox"/> TiLite Red |
| | TAFF11 <input type="checkbox"/> Military Green | TAFF12 <input type="checkbox"/> Orange Crush | TAFF29 <input type="checkbox"/> Neon Pink |
| | TAFF28 <input type="checkbox"/> Neon Green | | |
| Metallic Paint | TAFF14 <input type="checkbox"/> Ocean Blue Metallic | TAFF15 <input type="checkbox"/> Tangerine Metallic | TAFF16 <input type="checkbox"/> Salsa Red Metallic |
| | TAFF30 <input type="checkbox"/> Acid Green Metallic | | |
| Pearlescent Paint | TAFF17 <input type="checkbox"/> Midnight Blue Pearl | TAFF18 <input type="checkbox"/> White Pearl | |
| Matte Paint | TAFF19 <input type="checkbox"/> Black Lava | TAFF20 <input type="checkbox"/> Deep Blue Ice | TAFF27 <input type="checkbox"/> Titanium Grey |
| Candy Paint | TAFF22 <input type="checkbox"/> Ruby Red | TAFF23 <input type="checkbox"/> Azure Blue | TAFF25 <input type="checkbox"/> Electric Plum..... STD |

COLOR ANODIZE PACKAGE

(Color Anodize Package includes: Aluminum Camber Tube (Color Anodize not available with Power Adaptable Camber Tube), Camber Mount, Footrest Clamp, Caster Mount, Caster Fork, and Caster Cap. If no anodize color is selected, the default will be black.)

- TAANO1 Black..... **STD**
- TAANO5 Sapphire TAANO3 Red Pepper TAANO6 Burnt Orange TAANO7 Sub-Lime TAANO8 Ultraviolet **\$150**

CUSTOM CONFIGURATION OPTIONS

FRONT WHEELS

- TAFW1 3"x.75" Micro-Caster (Not available with Slipstream Fork, Glide™ Single-Sided Fork or Power Adaptable Frame.)..... **STD**
- TAFW2 3"x.75" Light-Up Micro-Caster (Not available with Slipstream Fork, Glide™ Single-Sided Fork or Power Adaptable Frame.)..... **\$70**
- TAFW24 3"x1.5" LiteSpeed Billet Aluminum Wheel w/Soft Roll Tire Silver Hub **OR** Black Hub..... **\$155**
- TAFW14 4"x.75" Plastic Wheel w/Poly Tire (Not available with Slipstream Fork, Glide™ Single-Sided Fork or Power Adaptable Frame.)..... **NCO**
- TAFW3 4"x.75" Light-Up Micro-Caster (Not available with Slipstream Fork, Glide™ Single-Sided Fork or Power Adaptable Frame.)..... **\$70**
- TAFW25 4"x.75" LiteSpeed Billet Aluminum Wheel w/Poly Tire Silver Hub **OR** Black Hub **\$125**
- TAFW26 4"x1.5" LiteSpeed Plastic Wheel w/Soft Roll Tire (Not available with Power Adaptable Frame.)..... **\$80**
- TAFW27 4"x1.5" LiteSpeed Billet Aluminum Wheel w/Soft Roll Tire Silver Hub **OR** Black Hub..... **\$165**
- TAFW6 5"x1" Plastic Wheel w/Poly Tire (Not available with 90° Front Angle Ⓛ, Slipstream Fork, Glide™ Single-Sided Fork or Power Adaptable Frame.)..... **NCO**
- TAFW28 5"x1.5" LiteSpeed Plastic Wheel w/Soft Roll Tire (Not available with 90° Front Angle Ⓛ or Power Adaptable Frame.)..... **\$80**
- TAFW29 5"x.75" LiteSpeed Billet Aluminum Wheel w/Poly Tire Silver Hub **OR** Black Hub (Not available with 90° Front Angle Ⓛ)..... **\$145**
- TAFW30 5"x1.5" LiteSpeed Billet Aluminum Wheel w/Soft Roll Tire Silver Hub **OR** Black Hub (Not available with 90° Front Angle Ⓛ)..... **\$185**
- TAFW9 6"x1" Plastic Wheel w/Poly Tire (Not available with 85° or 90° Front Angle Ⓛ, Slipstream Fork, Glide™ Single-Sided Fork or Power Adaptable Frame.)..... **NCO**
- TAFW34 6"x1" LiteSpeed Billet Aluminum Wheel w/Poly Tire Silver Hub **OR** Black Hub (Not available with 85° or 90° Front Angle Ⓛ, Slipstream Fork, Glide™ Single-Sided Fork or Power Adaptable Frame.)..... **\$165**
- TAFW31 6"x1.25" LiteSpeed Billet Aluminum Wheel w/Pneumatic Tire Silver Hub **OR** Black Hub (Not available with 85° or 90° Front Angle Ⓛ, Slipstream Fork, Glide™ Single-Sided Fork or Power Adaptable Frame.)..... **\$165**
- TAFW32 6"x1.5" LiteSpeed Plastic Wheel w/Soft Roll Tire (Not available with 85° or 90° Front Angle Ⓛ, Slipstream Fork, Glide™ Single-Sided Fork or Power Adaptable Frame.)..... **\$80**
- TAFW33 6"x1.5" LiteSpeed Billet Aluminum Wheel w/Soft Roll Tire (Not available with 85° or 90° Front Angle Ⓛ, Slipstream Fork, Glide™ Single-Sided Fork or Power Adaptable Frame.)..... **\$195**

FRONT FORKS

- TAFK1 TiLite Standard Fork..... **STD**
- TAFK2 TiLite Slipstream Single-Sided Fork (Not available w/Power Adaptable Frame.)..... **\$150**
- TAGL1 **Out-Front Glide™ Suspension Fork (Black anodize only.)**..... **\$425 E1015**
- Rider's Weight: 125 lbs. 125-180 lbs. 180-265 lbs.
- TAGL2 **Out-Front Glide™ Single-Sided Suspension Fork (Black anodize only. Not available with 6" Front Wheels.)**..... **\$545 E1015**
- Rider's Weight: 125 lbs. 125-180 lbs. 180-265 lbs.
- TATFS1 Titanium Fork Stem..... **\$50**

REAR WHEELS (See Rear Seat Height Ranges Chart on Page 1 for Rear Seat Height Ⓛ limitations.)

- TARW14 TiLite SHADOW™ (Not available with Titanium Quick Release Axles.)..... **STD**
- 20"(451)
- 22"(501)
- 24"(540)
- 25"(559) (Requires 15" minimum Seat Depth Ⓛ.)
- 26"(590) (Requires 15" minimum Seat Depth Ⓛ.)

CUSTOM CONFIGURATION OPTIONS

TARW13 Golz TWIN-STAR Exchange (Not available with Titanium Quick Release Axles.).....	\$895
<input type="checkbox"/> 24"(540) <input type="checkbox"/> 25"(559) (Requires 15" minimum Seat Depth Ⓢ .) <input type="checkbox"/> 26"(590) (Requires 15" minimum Seat Depth Ⓢ .)	
TARW7 Spinerger SPOX <input type="checkbox"/> Black <input type="checkbox"/> Red <input type="checkbox"/> Yellow <input type="checkbox"/> Blue <input type="checkbox"/> White	\$695
<input type="checkbox"/> 22"(501) - Std. Hub <input type="checkbox"/> 24"(540) - Std. Hub <input type="checkbox"/> 25"(559) - Std. Hub (Requires 15" minimum Seat Depth Ⓢ .) <input type="checkbox"/> 26"(590) - Sport Hub (Requires 15" minimum Seat Depth Ⓢ . Not available with Titanium Quick Release or Quad Release Axles.)	
TARW8 Spinerger LX <input type="checkbox"/> Black <input type="checkbox"/> Red <input type="checkbox"/> Yellow <input type="checkbox"/> Blue <input type="checkbox"/> White <input type="checkbox"/> Go Green <input type="checkbox"/> Bright Orange <input type="checkbox"/> Flamingo Pink.....	\$895
<input type="checkbox"/> 22"(501) - Std. Hub <input type="checkbox"/> 24"(540) - Std. Hub <input type="checkbox"/> 25"(559) - Std. Hub (Requires 15" minimum Seat Depth Ⓢ .) <input type="checkbox"/> 26"(590) - Sport Hub (Requires 15" minimum Seat Depth Ⓢ . Not available with Titanium Quick Release or Quad Release Axles.)	
TARW15 Topolino CarbonCore (Not available with Titanium Quick Release Axles or Solid Rear Tires.).....	\$1,195
<input type="checkbox"/> 24"(540) <input type="checkbox"/> 25"(559) (Requires 15" minimum Seat Depth Ⓢ .)	
TARW11 Mag (Not available with Short Tabs, Titanium Quick Release Axles, Quad Release Axles or Spoke Guards.)	\$50
<input type="checkbox"/> 22"(501) <input type="checkbox"/> 24"(540)	
TARW0 Omit Rear Wheels (Must choose Wheel Size below and Tire Type.).....	\$50
<input type="checkbox"/> 20"(451) <input type="checkbox"/> 22"(501) <input type="checkbox"/> 24"(540) <input type="checkbox"/> 25"(559) <input type="checkbox"/> 26"(590)	

AXLES

TAAXL1 <input type="checkbox"/> Stainless Quick Release.....	STD
TAAXL2 <input type="checkbox"/> Titanium Quick Release (Not available with SHADOW, TWIN-STAR Exchange, 26"(590) Spinerger SPOX, 26"(590) Spinerger LX, Topolino, or Mag Rear Wheels.).....	\$225
TAAXL3 <input type="checkbox"/> Quad Release (Not available with Mag or 26"(590) Spinerger Spox or LX Rear Wheels.).....	\$125

PNEUMATIC REAR TIRES

TARTR1 <input type="checkbox"/> Treaded (Not available with 25"(559) Rear Wheels.).....	STD
TARTR2 <input type="checkbox"/> Airless Inserts (Not available with Topolino Rear Wheels.).....	\$80
TARTR3 <input type="checkbox"/> 25"(559) Primo Treaded (Standard with 25"(559) Rear Wheels.).....	STD
TARTR4 <input type="checkbox"/> Primo	NCO
TARTR16 <input type="checkbox"/> 20"(451) Kenda® Grey High Pressure (110psi).....	\$95
TARTR5 24"(540), 25"(559) and 26"(590) Kenda® High Pressure (110psi) <input type="checkbox"/> Grey <input type="checkbox"/> Red <input type="checkbox"/> Blue	\$95
TARTR6 <input type="checkbox"/> 24"(540) Grey Knobby (Available with Shadow Rear Wheels Only.).....	\$95
TARTR7 <input type="checkbox"/> 26"(590) Black Knobby (Available with Shadow, Spinerger SPOX, or Spinerger LX Rear Wheels Only.).....	\$95
TARTR8 <input type="checkbox"/> 24"(540), 25"(559) and 26"(590) Schwalbe® Marathon Plus Evolution.....	\$125
TARTR17 <input type="checkbox"/> 24"(540) and 25"(559) Schwalbe® Ultramo ZX.....	\$125

E2213

SOLID REAR TIRES

TARTR10 <input type="checkbox"/> 20"(451) Street Tread.....	\$70
TARTR11 <input type="checkbox"/> 22"(501) Pyramid.....	\$75
TARTR18 <input type="checkbox"/> 24"(540) and 25"(559) KIK MAKO Herringbone Tread (Not available with Topolino Rear Wheels.).....	\$115
TARTR15 <input type="checkbox"/> 24"(540) and 25"(559) Treaded (Not available with Topolino Rear Wheels.).....	\$95

HANDRIMS

Handrims by OUT-FRONT®

TARIM1 <input type="checkbox"/> Aluminum – Silver Anodized.....	STD
TARIM21 <input type="checkbox"/> Aluminum – Black Anodized (Not available with Mag or 20"(451) Rear Wheels.).....	NCO
Titanium (Not available with Mag, 20"(451) or 22"(501) Rear Wheels, or 24"(540) Knobby tires.)	
TARIM12 <input type="checkbox"/> Satin Finish.....	\$400
TARIM13 <input type="checkbox"/> Polished Finish.....	\$550
The Natural-Fit® (Original, Larger Profile) (Not available with 22"(501) Mag Rear Wheels.)	
TARIM14 <input type="checkbox"/> Standard Grip (Not available with Short Tabs.).....	\$325
TARIM15 <input type="checkbox"/> Super Grip (Not available with Short Tabs.).....	\$370
TARIM16 <input type="checkbox"/> Without Thumb Grip.....	\$300
The Natural-Fit® LT (Reduced Weight, Smaller Profile) (Not available with 22"(501) Mag Rear Wheels.)	
TARIM17 <input type="checkbox"/> Standard Grip (Not available with Short Tabs.).....	\$355
TARIM18 <input type="checkbox"/> Super Grip (Not available with Short Tabs.).....	\$400
TARIM19 <input type="checkbox"/> Without Thumb Grip.....	\$330
TARIM10 <input type="checkbox"/> The Surge (All-In-One Oval with Gription™ Strip, Larger Profile) (Not available with 22"(501) Mag Rear Wheels.).....	\$325
TARIM11 <input type="checkbox"/> The Surge LT (All-In-One Oval with Gription™ Strip, Smaller Profile) (Not available with 22"(501) Mag Rear Wheels.).....	\$355
TARIM20 <input type="checkbox"/> Q-Grip (Exclusive High-Friction, Anti-Slip Coating) (Not available with Mag Rear Wheels.).....	\$295

Additional Handrims

TARIM9 <input type="checkbox"/> Spinerger FlexRim (Available only on 24"(540) and 25"(559) Spinerger LX Rear Wheels. Please allow an additional 2-3 weeks delivery.).....	\$525
TARIM5 <input type="checkbox"/> Plastic Coated – Black.....	\$95
TARIM6 <input type="checkbox"/> Projections - 8 Vertical Projections (Not available with 20"(451), 22"(501), 26"(590) or Mag Rear Wheels.).....	\$315
TARIM0 <input type="checkbox"/> Omit Handrims.....	\$15

CUSTOM CONFIGURATION OPTIONS

Tab Length

- TARIM7 Long Tabs..... **STD**
 TARIM8 Short Tabs (Not available with Mag Rear Wheels or The Natural-Fit® Handrims with Thumb Grip.)..... **\$15**

WHEEL LOCKS

Wheel Locks by OUT-FRONT®

- TAWLK7 Compact Composite Push to Lock (Available with .75" to 1.5" Rear Wheel Spacing **1** only.)..... **NCO**
 TAWLK8 Compact Composite Pull to Lock (Available with .75" to 1.5" Rear Wheel Spacing **1** only.)..... **NCO**
 TAWLK10 Extension Handles for Compact Composite Push/Pull to Lock..... **\$75** **E0961**
 TAWLK9 Composite Scissor Lock..... **\$125**

Additional Wheel Locks

- TAWLK3 Uni-Lock Set At: Push **OR** Pull..... **\$145**
 TAWLK4 Extension Handles for Uni-Lock..... **\$75** **E0961**

BACK UPHOLSTERY

- TABUP2 Velcro Adjustable (Not available with Fold-Down Push Handles.)..... **STD**
 Tension Adjustable by Straps (Required with Aluminum Fendered Side Guards and Fold-Down Push Handles.)
 TABUP3 Padded Nylon..... **\$300** **E2611**
 TABUP5 AIR Breathable Upholstery (Not available with Ultrasuede or NiteLite Backrest Stripe.)..... **\$300** **E2611**
 TAUPC3 Ultrasuede Backrest Stripe Black Sapphire Red Pepper Burnt Orange
 Sub-Lime Ultraviolet Espresso (Not available with AIR Breathable Back Upholstery.)..... **\$90**
TAUPC3 TiLite NiteLite Reflective Backrest Stripe (Not available with AIR Breathable Back Upholstery.)..... \$90
 TABUP4 Ride Designs® Corbac™ Adjustable Contour Back Support (Black only. Not available with Fold-Down Push Handles.
 See Chart below.)..... **\$455** **E2611**
 TABUP0 Omit Back Upholstery..... **NCO**

SEAT UPHOLSTERY

- TASUP1 Tension Adjustable Bolt On (Not available with Tapered Seat **1**, Black only.)..... **STD**
 TASUP7 iSleeve™ Under Seat Smartphone Holder (Not available with 12" or 13" Rear Seat Width **A** or Seat Depth **3**.)..... **STD**
 TASUP2 Tension Adjustable by Straps (Standard with Front Seat Width Seat Taper **1** of 1", 2" or 3". Black upholstery only.)..... **\$150**
 TASUP3 G10 Solid Seat (Not available with 10" or 11" Rear Seat Width **A**.)..... **\$245** **E2618**
 TASUP0 Omit Seat Upholstery..... **NCO**

SEAT CUSHIONS

- TACSH1 Foam Cushion 2" 3" 4"..... **\$99**
 TACSH2 StimuLITE® Sport (2" Black 12"x12" to 20"x 20". Please allow an additional 2-3 weeks delivery.)..... **\$525** **E2603**
 TACSH3 Corbee® (2" Black 6"x 6" to 16"x 16". Please allow an additional 2-3 weeks delivery.)..... **\$525** **E2603**
 TACSH4 ROHO® Low Profile® Quadtro® Select (Black only. Please allow an additional 2-3 weeks delivery.)..... **\$525** **E2624**
 TACSH5 ROHO® Custom (Black Only. Please allow an additional 2-3 weeks delivery.)..... **\$625** **E2604**
 TACSH6 VARILITE® Evolution™ (Black only. See chart below.)..... **\$525** **E2622**
 TACSH7 VARILITE® Zoid™ (Black only. See chart below.)..... **\$525** **E2622**

VARILITE® SEAT CUSHION AVAILABILITY CHART

Seat Width A	VARILITE® Evolution™ VARILITE® Zoid™	
	Seat Depth 3	
12"	14"	8", 12", 14"
13"	NONE	NONE
14"	14", 16", 18", 20"	14", 16", 18"
15"	15", 17"	15", 17"
16"	14", 16", 18", 20"	16", 18", 20"
17"	17"	17"
18"	16", 18", 20"	16", 18", 20"
19"	NONE	NONE
20"	16", 18", 20"	16", 18", 20"

CORBAC™ SEAT WIDTH/BACK HEIGHT AVAILABILITY CHART

Rear Seat Width A	Seat Back Height 3
14"	13" - 15"
15"	13" - 16"
16"	14" - 16"
17"	14" - 16"
18"	14" - 16"

SIDE GUARDS

- TASDG1 Cloth (Not available with Ride Designs Corbac Back Support.)..... **\$85**

Aluminum

- TASDG2 Rigid Removable Small **OR** Std..... **\$175**
 TASDG3 Quad Removable w/Hole Small **OR** Std..... **\$185**
 TASDG4 Fold Down Rigid Small **OR** Std..... **\$295**
 TASDG6 Fendered Adjustable (Available with 24" and 25" Rear Wheels. Requires Rear Seat Height **3** of 15" to 18.5")..... **\$295**

Carbon Fiber

- TASDG7 Rigid Removable Small **OR** Std..... **\$270**
 TASDG8 Quad Removable w/Hole Small **OR** Std..... **\$280**
 TASDG9 Fold Down Rigid Small **OR** Std..... **\$400**
 TASDG12 Fendered Removable..... **\$395**

Available on Aluminum and Carbon Fiber Non-Fendered Side Guards

- TASDG13 Side Guards Custom Cut to Profile of Rear Wheels (Not available with Cloth.)..... **\$275**

CUSTOM CONFIGURATION OPTIONS

ARMRESTS (Desk Arms come with built-in Side Guards.)

TAARM1 Swing Away Tubular <input type="checkbox"/> 9" to 12" OR <input type="checkbox"/> 11" to 14" (Not Available with Height Adjustable Push Handles.).....	\$195	E0973
TAARM4 Swing Away - Flip Back Tubular <input type="checkbox"/> 6" to 9" OR <input type="checkbox"/> 9" to 12"	\$275	E0973
TAARM2 Removable Height Adjustable Desk Arm with Rigid Side Guard (Requires 14" minimum Seat Depth Ⓞ .).....	\$295	E0973
<input type="checkbox"/> Standard Length Pad (10") OR <input type="checkbox"/> Full Length Pad (14")		
<input type="checkbox"/> 9" to 12" OR <input type="checkbox"/> 12" to 15"		
TAARM3 Removable Height Adjustable Desk Arm with Rigid Side Guard and Transfer Loop (Requires 15" minimum Seat Depth Ⓞ .).....	\$325	E0973
<input type="checkbox"/> Standard Length Pad (10") OR <input type="checkbox"/> Full Length Pad (14")		
<input type="checkbox"/> 9" to 12" OR <input type="checkbox"/> 12" to 15"		

Available on all Armrests

TAARM5 <input type="checkbox"/> Covered in Black Ultrasuede.....	\$95	
--	------	--

SEAT BELTS

TABL1 <input type="checkbox"/> Velcro Adjustable, Black Nylon Webbing.....	\$45	E0978
TABL2 <input type="checkbox"/> Bodypoint® 2" Push-Button Buckle (Auto-Style.).....	\$85	E0978
TABL4 <input type="checkbox"/> Bodypoint® 1" Wide Push-Button Buckle Padded (Auto-Style.) (Not available with 19" or 20" Rear Seat Widths Ⓐ .).....	\$165	E0978
TABL5 <input type="checkbox"/> Bodypoint® 1.5" Wide Push-Button Buckle Padded (Auto-Style.) (Not available with 19" or 20" Rear Seat Widths Ⓐ .).....	\$155	E0978
TABL6 <input type="checkbox"/> Bodypoint® 1.5" Wide Rehab Latch Buckle Padded (Airline-Style.) (Not available with 19" or 20" Rear Seat Widths Ⓐ .).....	\$160	E0978
TABL7 <input type="checkbox"/> Bodypoint® 1.5" Wide Plastic Side Release Padded (Not available with 19" or 20" Rear Seat Widths Ⓐ .).....	\$120	E0978
TABL9 <input type="checkbox"/> Bodypoint® Evoflex Pelvic Stabilizer.....	\$210	E0978
TABL10 <input type="checkbox"/> Bodypoint® Optional Band Clamp Mounting Hardware	\$20	E0978

CALF STRAP

TACLF2 Velcro Adjustable	\$35	K0038
<input type="checkbox"/> Xtra Small (Recommended for 6" - 9" Footrest Widths.)		
<input type="checkbox"/> Small (Recommended for 9" - 12" Footrest Widths.)		
<input type="checkbox"/> Medium (Recommended for 11" - 15" Footrest Widths.)		
<input type="checkbox"/> Large (Recommended for 14" - 17" Footrest Widths.)		
<input type="checkbox"/> Xtra Large (Recommended for 16"- 19" Footrest Widths.)		
TACLF3 Bodypoint® Padded Velcro Adjustable	\$90	K0038
<input type="checkbox"/> Medium (Recommended for 11"- 15" Footrest Widths.)		
<input type="checkbox"/> Large (Recommended for 16"- 19" Footrest Widths.)		
TACLF1 <input type="checkbox"/> Buckle Adjustable, Black Nylon Webbing.....	\$25	K0038

BACK PACK

TABCK1 <input type="checkbox"/> Small - Black Nylon	\$50	
TABCK2 <input type="checkbox"/> Large - Black Nylon.....	\$65	

SEAT POUCH

TAPCH1 <input type="checkbox"/> Small - Black Nylon.....	\$40	
TAPCH2 <input type="checkbox"/> Large - Black Nylon.....	\$45	

SPOKE GUARDS by SPOZEE.COM

TAGRD2 <input type="checkbox"/> Scooter Frog (Not available with Mag Rear Wheels.).....	\$275	K0065
TAGRD3 <input type="checkbox"/> Color Spectrum (ROYGBIV) on Black (Not available with Mag Rear Wheels.).....	\$275	K0065
TAGRD4 <input type="checkbox"/> Purple Party (Not available with Mag Rear Wheels.).....	\$275	K0065
TAGRD1 <input type="checkbox"/> Clear with TiMotion Logo (Not available with Mag Rear Wheels.).....	\$115	K0065

ANTI-TIPS

TATIP1 <input type="checkbox"/> Rear Aluminum - Black.....	\$140	E0971
TATIP2 <input type="checkbox"/> User Friendly Rear Flip-Up.....	\$245	E0971

ACCESSORIES

TAUEST1 Upper Extremity Support Tray <input type="checkbox"/> 12" to 14" OR <input type="checkbox"/> 13" to 15" Seat Widths Ⓐ (Requires Armrests.).....	\$250	E0950
TAGS1 <input type="checkbox"/> GRIP Solutions Lap Tray.....	\$85	
TALUG1 <input type="checkbox"/> Luggage Carriers.....	\$125	
TAMPCT2 Neoprene Impact Guards with Ultrasuede Stripe <input type="checkbox"/> Black <input type="checkbox"/> Sapphire <input type="checkbox"/> Red Pepper <input type="checkbox"/> Burnt Orange		
<input type="checkbox"/> Sub-Lime <input type="checkbox"/> Ultraviolet <input type="checkbox"/> Espresso.....	\$90	
TAMPCT2 <input type="checkbox"/> TiLite NiteLite Neoprene Impact Guards with Reflective Stripe.....	\$90	
TACAT1 <input type="checkbox"/> Catch-All.....	\$75	
TACH1 <input type="checkbox"/> Crutch Holder.....	\$195	E2207
TATS1 TiLite T-Shirt <input type="checkbox"/> Small <input type="checkbox"/> Medium <input type="checkbox"/> Large <input type="checkbox"/> X-Large <input type="checkbox"/> XX-Large.....	\$25	
TATIP5 <input type="checkbox"/> Front Roller (Requires that Seat to Footrest Measurement Ⓞ be at least 3" shorter than Front Seat Height Ⓞ . Not available w/ Titanium Flip-Back Footrest.).....	\$145	
TAHS1 <input type="checkbox"/> TiLite 9 Piece SAE Round Handle Folding Hex Key Set.....	\$25	
TAAFP1 4" Logo Patch <input type="checkbox"/> Army <input type="checkbox"/> Navy <input type="checkbox"/> Air Force <input type="checkbox"/> Marines	\$90	
TAAFP2 Name Tape Patch <input type="checkbox"/> Army <input type="checkbox"/> Navy <input type="checkbox"/> Air Force <input type="checkbox"/> Marines	\$90	
TAAFP3 <input type="checkbox"/> Combat Wounded Purple Heart Patch.....	\$90	

DESIGNS UNLIMITED

TiLite's TRA offers millions of different frame combinations! But when that's not enough, check out the Designs Unlimited Studio at tilite.com. There you will find drawings and pricing for hundreds of creative solutions to customers' customization requests. We call these "D.U.'s." If you don't find the D.U. you're looking for, contact the TiLite Customer Service Team at 800.545.2266 or customerservice@tilite.com and we'll design a D.U. just for you. Designs Unlimited customization may add an additional 2 to 3 weeks to the ship time of your chair.

GENERAL

TiLite manufactures a wide variety of wheelchairs to meet the varied needs of wheelchair users. The final selection of a particular model, its options and accessories, and its measurements rests solely with the wheelchair user and advising healthcare professional. TiLite wheelchairs must be fitted by a qualified healthcare professional. HCPCS Codes are for reference purposes only. Actual coding and coverage varies by payer. Proper HCPCS coding is not a guarantee of payment. Please verify the appropriate payer's coverage policy.

Get the latest order forms at tilite.com. Prices, standard features, options and accessories are subject to change without notice. All rights reserved. Trademarks are identified by symbols™ and ®. TiLite, the TiLite logo, Ti, the Ti logo, The Titanium Experts, and TiShaft are registered trademarks of TiSport, LLC and are licensed to TiLite, LLC. Adobe®, Acrobat®, Acrobat Professional® and Reader® are registered trademarks of Adobe Systems Inc. Bodypoint® is a registered trademark of Bodypoint Inc. Kenda® is a registered trademark of Kenda Rubber Industrial Co Ltd. Ride Designs® and Corbac® are registered trademark of Aspen Seating, LLC. ROHO®, Low Profile® and Quadro Select® are registered trademarks of ROHO Inc. Schwalbe® is a registered trademark of Ralf Bohle GmbH. Supracor®, Stimulite® and Corbee® are registered trademarks of Supracor, Inc. The Natural-Fit® and Out-Front® are registered trademarks of Three Rivers Holdings, LLC. VariLite® is a registered trademark of Cascade Designs, Inc.

QUOTE THIS CHAIR

If you are using Adobe Acrobat, this order form may be converted into a quote request or into an order by clicking one of the buttons (this feature is available exclusively to TiLite dealers and distributors). A TiLite Quote or a TiLite Order Confirmation will be sent to you within 24 hours.

ORDER THIS CHAIR