

DEALER INFORMATION		RTS INFORMATION	
Dealer:	Account #:	RTS:	Phone:
PO:	Ordered By:	Email:	
Email:		SHIP TO INFORMATION	
Mark For:		Name:	Ship Via:
TiLite Sales Rep:		Address:	
<b>TiLite Information:</b>	Promo Code:	City:	State: Zip:
Ship Date:	Order #:	Phone:	Fax:

**Please Email or Fax to the TiLite Customer Service Team at orders@tilite.com or 866.586.2413 / 509.586.2413**



TiLite Aero X Fixed Front shown in Orange Crush with Rigid Folding Mechanism "RFM" and other available options.

TiLite Aero X Swing Away shown in Ruby Red with Rigid Folding Mechanism "RFM" and other available options.

### FRAME STYLE

**TiLite Aero X** (Full Adjustability. 265 Pound Weight Limit.)

- AXFS1  **Swing Away** .....\$2,075 K0005
  - AXFS3  **Hemi Height Frame** (Available with a Front Seat Height of 13.5" - 20". Not Available with Depth Adjustable Back/Frame, Heavy Duty Frame or Transit Tie-Down Option.) .....NCO
- AXFS2  **Fixed Front** .....\$2,075 K0005
- AXFS4  **Titanium Frame** (250 Pound Weight Limit. Light Weight, High Strength and Vibration Dampening. Not Available with Aluminum Frame Transit Tie-Down.).....\$1,595 K0108
- AXHDR1  **Heavy Duty Frame** (350 Pound Weight Limit. Includes Tension Adjustable by Straps Back Upholstery. Available in 18" to 22" Seat Widths and 16" to 20" Seat Depths.)..... \$400
- AXPWR1  **Power Adaptable Frame for Frank Mobility System** (No charge when 20" Rear Seat Width **A** and 20" Seat Depth **B** are selected. Requires LiteSpeed Billet Aluminum Front Wheels and 0 degree camber.).....\$300
- AXRFR1  **Reinforced Frame** (No charge when 20" Rear Seat Width and 20" Seat Depth are selected.) .....\$300

### TRANSIT OPTIONS

(Please refer to the Aero X Transit Tie-Down Option Brochure for important information regarding the Transit Tie-Down Options.)

- AXTTD01  **Aluminum Frame Transit Tie-Down** (Consists of four Tie-Down Brackets. Not available with Swing Away Tubular Armrests or Swing Away - Flip Back Tubular Armrests.).....\$315
- AXWTB  **Transport Bracket Option** (Consists of four Tie-Down Brackets. Unoccupied Use Only.)..... \$315

### FRAME FINISHES

**Natural Finishes**

- AXFF1  **Light Satin** (Available with Aluminum Frame only. Finished with clear powder coat.)..... **STD**
- AXFF26  **Satin** (Available with Titanium Frame only.)..... **STD**
- AXSCBT1  **Satin Finish Buffing Pads**.....\$15
- AXFF2  **Polished** (Available with Titanium Frame only.).....\$650
- AXFF3  **Tattoos** (Tattoos on front frame tubes. Finished with clear powder coat on Aluminum Frame. Click on the images below to view the Tattoos online.).....\$295

AXFF31  **The King of Rock**



AXFF32  **Aloha**



AXFF33  **Snow Leopard**



AXFF34  **Wood Grain**



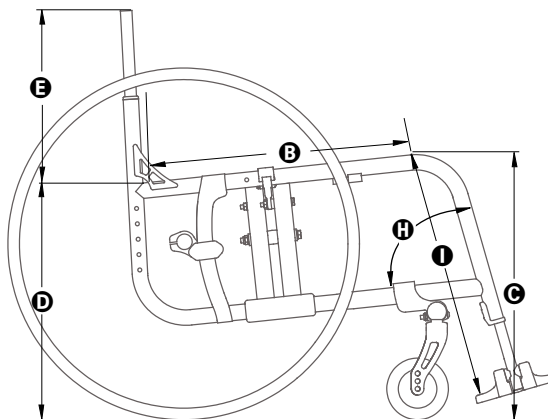
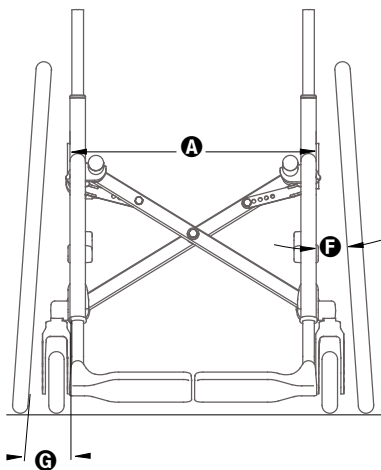
**THE ULTIMATE RIDE.®**

tilite.com  
 2701 West Court Street | Pasco, Washington 99301  
 509.586.6117 Tel | 800.545.2266 Toll-Free  
 509.586.2413 Fax | 866.586.2413 Toll-Free Fax

## FRAME FINISHES

<b>High Gloss Paint</b>	AXFF8 <input type="checkbox"/> Super Wet Black	AXFF10 <input type="checkbox"/> TiLite Red	AXFF29 <input type="checkbox"/> Neon Pink
	AXFF28 <input type="checkbox"/> Neon Green		
<b>Metallic Paint</b>	AXFF14 <input type="checkbox"/> Ocean Blue Metallic	AXFF15 <input type="checkbox"/> Tangerine Metallic	AXFF16 <input type="checkbox"/> Salsa Red Metallic
	AXFF30 <input type="checkbox"/> Acid Green Metallic		
<b>Pearlescent Paint</b>	AXFF17 <input type="checkbox"/> Midnight Blue Pearl	AXFF18 <input type="checkbox"/> White Pearl	
<b>Matte Paint</b>	AXFF19 <input type="checkbox"/> Black Lava	AXFF20 <input type="checkbox"/> Deep Blue Ice	AXFF27 <input type="checkbox"/> Titanium Grey
<b>Candy Paint</b>	AXFF22 <input type="checkbox"/> Ruby Red	AXFF23 <input type="checkbox"/> Azure Blue	AXFF25 <input type="checkbox"/> Electric Plum..... <b>STD</b>

## FRAME MEASUREMENTS



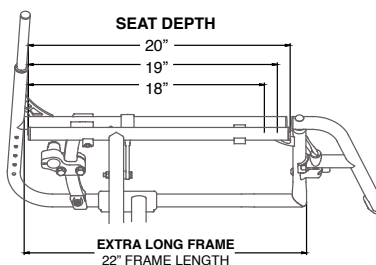
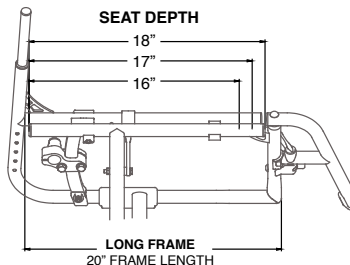
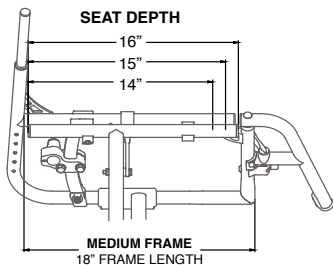
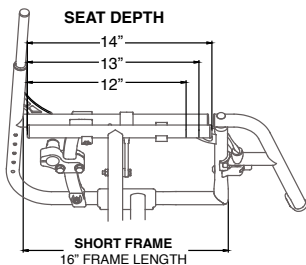
**SEAT WIDTH A** Measure from outside of seat tube at back post to the outside of the opposite seat tube at back post.

AXSW1 <input type="checkbox"/> 12" <input type="checkbox"/> 13" <input type="checkbox"/> 14" <input type="checkbox"/> 15" <input type="checkbox"/> 16" <input type="checkbox"/> 17" <input type="checkbox"/> 18" <input type="checkbox"/> 19".....	<b>STD</b>
AXSW3 <input type="checkbox"/> 20" <input type="checkbox"/> 21" <input type="checkbox"/> 22" (21" and 22" Seat Widths A are only available with Heavy Duty Frame.).....	<b>\$450 E2201</b>

**SEAT DEPTH B** Measure from 1/2" in front of back post to the front edge of seat sling. (Short Frame Length not available with 25" and 26" Rear Wheels.)

### TILITE AERO X SWING AWAY SEAT DEPTH G/FRAME LENGTH CHART (Select one Frame Length and one Seat Depth.)

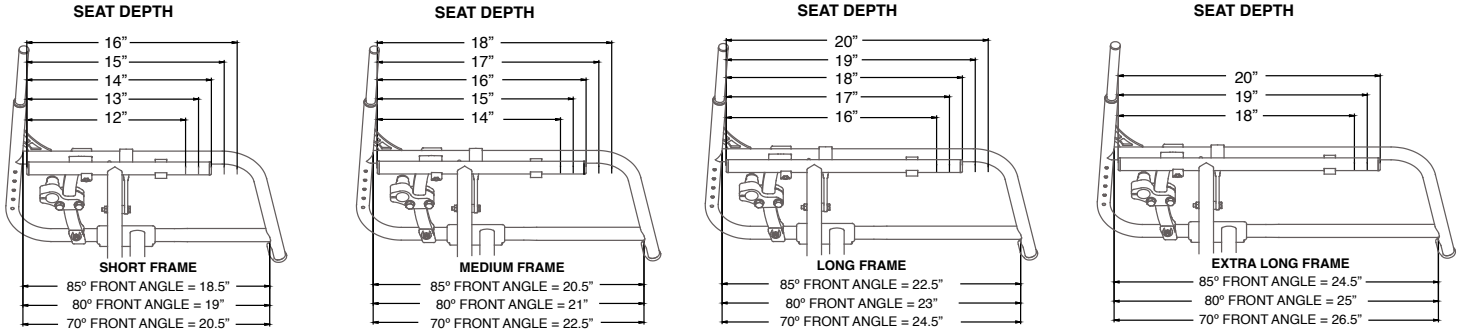
Frame Length	Seat Depth G	
AXSD7 <input type="checkbox"/> Short	<input type="checkbox"/> 12" <input type="checkbox"/> 13" <input type="checkbox"/> 14" .....	<b>STD</b>
AXSD8 <input type="checkbox"/> Medium	<input type="checkbox"/> 14" <input type="checkbox"/> 15" <input type="checkbox"/> 16" .....	<b>STD</b>
AXSD10 <input type="checkbox"/> Long	<input type="checkbox"/> 16" <input type="checkbox"/> 17" <input type="checkbox"/> 18" .....	<b>STD</b>
AXSD12 <input type="checkbox"/> Extra Long	<input type="checkbox"/> 18" <input type="checkbox"/> 19" .....	<b>STD</b>
AXSD14 <input type="checkbox"/> Extra Long	<input type="checkbox"/> 20" .....	<b>\$475 E2203</b>



## FRAME MEASUREMENTS

### TILITE AERO X FIXED FRONT SEAT DEPTH Ⓞ/FRAME LENGTH CHART (Select one Frame Length and one Seat Depth.)

Frame Length	Seat Depth Ⓞ	
AXSD15 <input type="checkbox"/> Short	<input type="checkbox"/> 12" <input type="checkbox"/> 13" <input type="checkbox"/> 14" <input type="checkbox"/> 15" <input type="checkbox"/> 16"	.....STD
AXSD18 <input type="checkbox"/> Medium	<input type="checkbox"/> 14" <input type="checkbox"/> 15" <input type="checkbox"/> 16" <input type="checkbox"/> 17" <input type="checkbox"/> 18"	.....STD
AXSD20 <input type="checkbox"/> Long	<input type="checkbox"/> 16" <input type="checkbox"/> 17" <input type="checkbox"/> 18" <input type="checkbox"/> 19"	.....STD
AXSD22 <input type="checkbox"/> Long	<input type="checkbox"/> 20"	.....\$475 E2203
AXSD23 <input type="checkbox"/> Extra Long	<input type="checkbox"/> 18" <input type="checkbox"/> 19"	.....STD
AXSD24 <input type="checkbox"/> Extra Long	<input type="checkbox"/> 20"	.....\$475 E2203



**FRONT SEAT HEIGHT Ⓞ** Measure from floor to top of seat tube at beginning of bend. Adjustable in 1/2" increments. *Front Seat Height Ⓞ requires Hemi Height Frame Style. 20.5" - 22" Front Seat Height Ⓞ not available with Hemi Height Frame Style.*

### FRONT SEAT HEIGHT RANGES

Front Wheel Size	Front Seat Heights Ⓞ	Hemi Front Seat Heights Ⓞ	
3" Front Wheel	15.5" - 19.5"	13.5" - 17.5"	
3" Front Wheel w/Glide™	17.5" - 19.0"	15.5" - 17.0"	
4" Front Wheel	16.5" - 20.0"	14.5" - 18.0"	
4" Front Wheel w/Glide™	17.5" - 19.5"	15.5" - 17.5"	AXFSH1 <input type="checkbox"/> 13.5" <input type="checkbox"/> 14" <input type="checkbox"/> 14.5" <input type="checkbox"/> 15"
5" Front Wheel	17.5" - 21.0"	15.5" - 18.5"	<input type="checkbox"/> 15.5" <input type="checkbox"/> 16" <input type="checkbox"/> 16.5" <input type="checkbox"/> 17"
5" Front Wheel w/Glide™	18.5" - 20.0"	16.5" - 18.0"	<input type="checkbox"/> 17.5" <input type="checkbox"/> 18" <input type="checkbox"/> 18.5" <input type="checkbox"/> 19"
6" Front Wheel	18.0" - 21.0"	16.5" - 19.0"	<input type="checkbox"/> 19.5" <input type="checkbox"/> 20" <input type="checkbox"/> 20.5" <input type="checkbox"/> 21"
6" Front Wheel w/Glide™	19.5" - 20.5"	17.5" - 18.5"	<input type="checkbox"/> 21.5" <input type="checkbox"/> 22" .....STD
8" Front Wheel	20.0" - 22.0"	18.5" - 20.0"	

**REAR SEAT HEIGHT Ⓞ** Measure from floor to top of seat tube at back post. Adjustable in 3/8" increments.

### REAR SEAT HEIGHT RANGES

Rear Wheel Size	Rear Seat Height Ⓞ	
22"	13" - 18"	AXRSH1 <input type="checkbox"/> 13" <input type="checkbox"/> 13.5" <input type="checkbox"/> 14" <input type="checkbox"/> 14.5" <input type="checkbox"/> 15" <input type="checkbox"/> 16" <input type="checkbox"/> 16.5" <input type="checkbox"/> 17" <input type="checkbox"/> 17.5" <input type="checkbox"/> 18" <input type="checkbox"/> 18.5" <input type="checkbox"/> 19" <input type="checkbox"/> 19.5" <input type="checkbox"/> 20".....STD
24"	14" - 19"	
25"	14" - 19"	
26"	15" - 20"	

**SEAT BACK TYPE/PUSH HANDLES/SEAT BACK HEIGHT Ⓞ** Measure from top of back post to top of seat tube at rear of frame.

### SEAT BACK TYPE

- AXSB13  Fixed Angle, Adjustable-Height Seat Back.....STD
- AXLB1  Folding Stabilizer Bar (Included with Heavy Duty Frame.).....\$340
- AXSB14  Fixed Angle, Adjustable Height Seat Back w/8-Degree Bend (Not available with Heavy Duty Frame or Transit Tie-Down Option.).....NCO
- AXSB18  Folding Adjustable-Angle and Height Seat Back (Not available with Heavy Duty Frame, Transit Tie-Down Option or Ride Designs® Corbac™.).....\$200
- AXSB16  Depth Adjustable Back/Frame (Not Available with Hemi Height Frame, Heavy Duty Frame, Transit Tie-Down Option or 19" or 20" Seat Depths Ⓞ or Swing Away Tubular Armrest. Seat Depths Ⓞ of 12"-17" allow 3" of rearward adjustment. Seat Depth Ⓞ of 18" allow 2" of rearward adjustment. Requires Tension Adjustable Seat Upholstery.).....NCO
- AXSRE1 Seat Rail Extensions for Depth Adjustable Back/Frame (Seat Rail Extensions to Rigid Folding Mechanism (cross-brace) to extend Seat Depth Ⓞ.)  1"  2"  3".....\$100

### PUSH HANDLES

- AXSB6  Integrated Push Handles.....\$85
- AXSB7  Integrated Fold-Down Push Handles (Requires Tension Adjustable by Straps Back Upholstery. Not available with Heavy Duty Frame.).....\$100
- AXSB9  Bolt-On Height Adjustable Push Handles (Requires Tension Adjustable by Straps Back Upholstery. Not available with Folding Adjustable-Angle and Height Seat Back, Swing Away Tubular Armrests, Swing Away - Flip Back Tubular Armrests, Heavy Duty Frame or Ride Designs® Corbac™.).....\$225

## FRAME MEASUREMENTS

**AXSB13/AXSB14 FIXED ANGLE ADJUSTABLE HEIGHT SEAT BACK ③** (11"- 15" Fixed Seat Back Height not available with Heavy Duty Frame, Transit Tie-Down Option, Swing Away Tubular Arms 12"-15", Bolt-On Height Adjustable Push Handles or Folding Stabilizer Bar.)

Push Handles (On Page 3)	Medium	Tall	Set at: (Use 1" increments)
None	<input type="checkbox"/> 11"- 15"	<input type="checkbox"/> 16"- 20"	<b>Set at:</b> _____
Integrated	<input type="checkbox"/> 11"- 15"	<input type="checkbox"/> 16"- 20"	<b>Set at:</b> _____
Integrated Fold-Down	<input type="checkbox"/> 11"- 15"	<input type="checkbox"/> 16"- 20"	<b>Set at:</b> _____
Bolt-On Height Adj.	-----	<input type="checkbox"/> 16"- 20"	<b>Set at:</b> _____

**AXSB18 FOLDING ADJUSTABLE- ANGLE AND HEIGHT SEAT BACK ③** (Not available with a Folding Stabilizer Bar, Heavy Duty Frame or Transit Tie-Down Option.)

Push Handles (On Page 3)	Short	Medium	Tall	Set at: (Use 1/2" increments)
None	<input type="checkbox"/> 11"- 13"	<input type="checkbox"/> 13.5"- 16.5"	<input type="checkbox"/> 16.5"- 19.5"	<b>Set at:</b> _____
Integrated	<input type="checkbox"/> 12.5"- 14.5"	<input type="checkbox"/> 13.5"- 16.5"	<input type="checkbox"/> 17"- 20"	<b>Set at:</b> _____
Integrated Fold-Down	<input type="checkbox"/> 15"- 17"	<input type="checkbox"/> 16"- 19"	<input type="checkbox"/> 18.5"- 20.5"	<b>Set at:</b> _____

### CAMBER ③

AXCBR8 <input type="checkbox"/> 0° <input type="checkbox"/> 2° <input type="checkbox"/> 4° <input type="checkbox"/> 6°.....	<b>STD</b>
AXCBR10 Additional Camber Plug (Pair) <input type="checkbox"/> 0° <input type="checkbox"/> 2° <input type="checkbox"/> 4° <input type="checkbox"/> 6°.....	<b>\$100</b>

**FRONT TAPER ③/FRONT ANGLE ③** If no Front Taper is selected, footrest width will be 2" narrower than Seat Width **A**. If 2" taper is selected, footrest width will be 4" narrower than Seat Width **A**. Front Angle **③** is measured from inside of front frame tube to top of bottom frame tube.

#### Aero X Swing Away Front End

AXFA3 <input type="checkbox"/> 70° <input type="checkbox"/> 80° <input type="checkbox"/> 85° (Not available with 6" Front Wheels.) <input type="checkbox"/> 90° (Not available with 5" or 6" Front Wheels.) Front Angle <b>③</b> with No Taper... <b>STD</b>	
AXFA4 <input type="checkbox"/> 80° Front Angle with 2" Taper (Not available with Elevating Leg Rest or High Mount Footrest.).....	<b>\$150</b>
AXFA5 Elevating Leg Rest <input type="checkbox"/> L <b>OR</b> <input type="checkbox"/> R (When choosing a left or right Elevating Leg Rest, please select the opposite Front Angle (AXFA3) above. Not available with 14" or narrower Seat Width <b>A</b> or Neoprene Impact Guards.).....	<b>\$150 E0990</b>
AXFA7 <input type="checkbox"/> Pair.....	<b>\$295</b>
AXFA0 <input type="checkbox"/> Omit Hangers.....	<b>-\$15</b>

#### Aero X Fixed Front End

AXFA6 <input type="checkbox"/> 70° <input type="checkbox"/> 80° <input type="checkbox"/> 85° (Not available with 6" Front wheels) Front Angle <b>③</b> with No Taper.....	<b>STD</b>
---	------------

**SEAT TO FOOTREST ①/FOOTRESTS** Measure from front edge of seat sling to top rear of footrest.

If your Front Angle **③** is 70°, 80°, 85° **OR** 80° WITH 2" TAPER, select one Seat to Footrest **①** length and one Footrest type:

**Standard Footrests** Measurement must be at least 2" shorter than Front Seat Height **③**.

<input type="checkbox"/> 14" <input type="checkbox"/> 14.5" <input type="checkbox"/> 15" <input type="checkbox"/> 15.5" <input type="checkbox"/> 16" <input type="checkbox"/> 16.5" <input type="checkbox"/> 17" <input type="checkbox"/> 17.5" <input type="checkbox"/> 18" <input type="checkbox"/> 18.5" <input type="checkbox"/> 19" <input type="checkbox"/> 19.5" <input type="checkbox"/> 20"	
AXFTR5 <input type="checkbox"/> Flip-up Footrest.....	<b>STD</b>
AXFTR6 1-Piece Flip-up Footrest - Pivot on <input type="checkbox"/> L <b>OR</b> <input type="checkbox"/> R (Not available with Heel Loops.).....	<b>\$150 K0037</b>
AXFTR7 <input type="checkbox"/> 1-Piece, Over-Center Folding Footrest ( <b>Aero X Fixed Front Only</b> . Not available with Heel Loops.).....	<b>\$150 K0037</b>
AXFTR8 <input type="checkbox"/> 1-Piece, Over-Center Angle Adjustable Footrest ( <b>Aero X Fixed Front Only</b> . Not available with Heel Loops. Available for 15"- 20" Seat to Footrest <b>①</b> only.).....	<b>\$295 K0040, K0037</b>
AXFTR9 <input type="checkbox"/> Depth Adjustable Flip-up Footrest.....	<b>\$95 K0037</b>
AXFTR10 <input type="checkbox"/> Depth & Angle Adjustable Flip-up Footrest (Available for 15"- 20" Seat to Footrest <b>①</b> only.).....	<b>\$235 K0040, K0037</b>
AXFTR11 <input type="checkbox"/> Angle Adjustable Flip-up Footrest (Available for 15"- 20" Seat to Footrest <b>①</b> only.).....	<b>\$195 K0040, K0037</b>

**High Mount Footrests** (Not Available with Luggage Carriers, Impact Guards or 80° with 2" Taper.)

<input type="checkbox"/> 7" <input type="checkbox"/> 7.5" <input type="checkbox"/> 8" <input type="checkbox"/> 8.5" <input type="checkbox"/> 9" <input type="checkbox"/> 9.5" <input type="checkbox"/> 10" <input type="checkbox"/> 10.5" <input type="checkbox"/> 11" <input type="checkbox"/> 11.5" <input type="checkbox"/> 12" <input type="checkbox"/> 12.5"	
<input type="checkbox"/> 13" <input type="checkbox"/> 13.5" <input type="checkbox"/> 14" <input type="checkbox"/> 14.5"	
AXFTR12 <input type="checkbox"/> High Mount Flip-up.....	<b>\$165 K0037</b>
AXFTR13 <input type="checkbox"/> Depth Adjustable High Mount Flip-up Footrest.....	<b>\$185 K0037</b>
AXFTR15 <input type="checkbox"/> Angle Adjustable High Mount Flip-up Footrest.....	<b>\$285 K0040, K0037</b>
AXFTR16 <input type="checkbox"/> Depth & Angle Adjustable High Mount Flip-up Footrest.....	<b>\$325 K0040, K0037</b>

#### Elevating Leg Rest

<input type="checkbox"/> 14" <input type="checkbox"/> 15" <input type="checkbox"/> 16" <input type="checkbox"/> 17" <input type="checkbox"/> 18" <input type="checkbox"/> 19" <input type="checkbox"/> 20" <input type="checkbox"/> 21"	
AXFTR17 <input type="checkbox"/> Depth Adjustable Flip-up Footrest.....	<b>STD</b>

If your Front Angle **③** is 90°, select one Seat to Footrest **①** length and one Footrest type:

<input type="checkbox"/> 7" <input type="checkbox"/> 8" <input type="checkbox"/> 9" <input type="checkbox"/> 10" <input type="checkbox"/> 11" <input type="checkbox"/> 12" <input type="checkbox"/> 13"	
AXFTR5 <input type="checkbox"/> Flip-up Footrest.....	<b>STD</b>
AXFTR9 <input type="checkbox"/> Depth Adjustable Flip-up Footrest.....	<b>\$95 K0037</b>
AXFTR10 <input type="checkbox"/> Depth & Angle Adjustable Flip-up Footrest.....	<b>\$235 K0040, K0037</b>
AXHLP1 <input type="checkbox"/> Heel Loops (Not available with 13" or narrower Seat Width <b>A</b> or 1-Piece Footrests.).....	<b>\$40 E0951</b>

## CUSTOM CONFIGURATION OPTIONS

**FRONT WHEELS** (See Front Seat Height Ranges Chart on Page 3 for Front Seat Height **③** limitations.)

AXFW1 <input type="checkbox"/> 3"x.75" Micro-Caster (Not available with Glide™ Single-Sided Fork, Heavy Duty Frame or Power Adaptable Frame.).....	<b>STD</b>
AXFW2 <input type="checkbox"/> 3"x.75" Light-Up Micro-Caster (Not available with Glide™ Single-Sided Fork, Heavy Duty Frame or Power Adaptable Frame.).....	<b>\$70</b>
AXFW24 <input type="checkbox"/> 3"x1.5" LiteSpeed Billet Aluminum Wheel w/Soft Roll Tire <input type="checkbox"/> Silver Hub <b>OR</b> <input type="checkbox"/> Black Hub.....	<b>\$165</b>
AXFW14 <input type="checkbox"/> 4"x.75" Plastic Wheel w/Poly Tire (Not available with Glide™ Single-Sided Fork, Heavy Duty Frame or Power Adaptable Frame.).....	<b>NCO</b>
AXFW3 <input type="checkbox"/> 4"x.75" Light-Up Micro-Caster (Not available with Glide™ Single-Sided Fork, Heavy Duty Frame or Power Adaptable Frame.).....	<b>\$70</b>
AXFW25 <input type="checkbox"/> 4"x.75" LiteSpeed Billet Aluminum Wheel w/Poly Tire <input type="checkbox"/> Silver Hub <b>OR</b> <input type="checkbox"/> Black Hub.....	<b>\$125</b>
AXFW26 <input type="checkbox"/> 4"x1.5" LiteSpeed Plastic Wheel w/Soft Roll Tire (Not available with Heavy Duty Frame or Power Adaptable Frame.).....	<b>\$80</b>
AXFW27 <input type="checkbox"/> 4"x1.5" LiteSpeed Billet Aluminum Wheel w/Soft Roll Tire <input type="checkbox"/> Silver Hub <b>OR</b> <input type="checkbox"/> Black Hub.....	<b>\$175</b>

## CUSTOM CONFIGURATION OPTIONS

AXFW6 <input type="checkbox"/> 5"x1" Plastic Wheel w/Poly Tire (Not available with Glide™ Single-Sided Fork, Heavy Duty Frame, Power Adaptable Frame or 90° Front Angle ①.)	NCO	
AXFW28 <input type="checkbox"/> 5"x1.5" LiteSpeed Plastic Wheel w/Soft Roll Tire (Not available with Heavy Duty Frame or Power Adaptable Frame or 90° Front Angle ①.)	\$80	
AXFW29 <input type="checkbox"/> 5"x.75" LiteSpeed Billet Aluminum Wheel w/Poly Tire <input type="checkbox"/> Silver Hub <b>OR</b> <input type="checkbox"/> Black Hub (Not available with 90° Front Angle ①.)	\$145	
AXFW30 <input type="checkbox"/> 5"x1.5" LiteSpeed Billet Aluminum Wheel w/Soft Roll Tire <input type="checkbox"/> Silver Hub <b>OR</b> <input type="checkbox"/> Black Hub (Not available with 90° Front Angle ①.)	\$185	
AXFW9 <input type="checkbox"/> 6"x1" Plastic Wheel w/Poly Tire (Not available with Glide™ Single-Sided Fork, Heavy Duty Frame or Power Adaptable Frame or 85° or 90° Front Angle ①.)	NCO	
AXFW34 <input type="checkbox"/> 6"x1" LiteSpeed Billet Aluminum Wheel w/Poly Tire <input type="checkbox"/> Silver Hub <b>OR</b> <input type="checkbox"/> Black Hub (Not available with Glide™ Single-Sided Fork, 85° or 90° Front Angle ①.)	\$165	
AXFW31 <input type="checkbox"/> 6"x1.25" LiteSpeed Billet Aluminum Wheel w/Pneumatic Tire <input type="checkbox"/> Silver Hub <b>OR</b> <input type="checkbox"/> Black Hub (Not available with Glide™ Single-Sided Fork, 85° or 90° Front Angle ①.)	\$165	
AXFW32 <input type="checkbox"/> 6"x1.5" LiteSpeed Plastic Wheel w/Soft Roll Tire (Not available with Glide™ Single-Sided Fork, Heavy Duty Frame, Power Adaptable Frame or 85° or 90° Front Angle ①.)	\$85	
AXFW33 <input type="checkbox"/> 6"x1.5" LiteSpeed Billet Aluminum Wheel w/Soft Roll Tire <input type="checkbox"/> Silver Hub <b>OR</b> <input type="checkbox"/> Black Hub (Not available with Glide™ Single-Sided Fork, 85° or 90° Front Angle ①.)	\$195	
AXFW16 <input type="checkbox"/> 8"x1" Plastic Wheel w/Poly Tire (Not available with Glide™ Suspension Fork, Heavy Duty Frame or Power Adaptable Frame. Available with 70° Front Angle ① only.)	NCO	
AXFW17 <input type="checkbox"/> 8"x1.25" Plastic Wheel w/Pneumatic Tire (Not available with Glide™ Suspension Fork, Heavy Duty Frame or Power Adaptable Frame. Available with 70° Front Angle ① only.)	\$85	
AXGL1 <input type="checkbox"/> Out-Front Glide™ Suspension Fork (Black anodize only. Not available with 8" Front Wheels or Heavy Duty Frame.)	\$425	E1015
Rider's Weight: <input type="checkbox"/> 125 lbs. <input type="checkbox"/> 125-180 lbs. <input type="checkbox"/> 180-265 lbs.		
AXGL2 <input type="checkbox"/> Out-Front Glide™ Single-Sided Suspension Fork (Black anodize only. Not available with 6" Front Wheels, 8" Front Wheels or Heavy Duty Frame.)	\$545	E1015
Rider's Weight: <input type="checkbox"/> 125 lbs. <input type="checkbox"/> 125-180 lbs. <input type="checkbox"/> 180-265 lbs.		
AXCPL1 <input type="checkbox"/> Caster Pin Lock (Not available with Heavy Duty Frame or Glide™ Suspension Fork.)	\$295	K0073

### REAR WHEELS (See Rear Seat Height Ranges Chart on Page 3 for Rear Seat Height ① limitations.)

AXRW14 TiLite SHADOW™	STD	
<input type="checkbox"/> 22"(501)		
<input type="checkbox"/> 24"(540)		
<input type="checkbox"/> 25"(559) (Requires 15" minimum Seat Depth ①.)		
<input type="checkbox"/> 26"(590) (Requires 15" minimum Seat Depth ①.)		
AXRW13 Golz TWIN-STAR Exchange (Not available with Heavy Duty Frame.)	\$995	
<input type="checkbox"/> 24"(540)		
<input type="checkbox"/> 25"(559) (Requires 15" minimum Seat Depth ①.)		
<input type="checkbox"/> 26"(590) (Requires 15" minimum Seat Depth ①.)		
AXRW7 Spinerger SPOX <input type="checkbox"/> Black <input type="checkbox"/> Red <input type="checkbox"/> Yellow <input type="checkbox"/> Blue <input type="checkbox"/> White	\$795	
<input type="checkbox"/> 22"(501) - Std. Hub		
<input type="checkbox"/> 24"(540) - Std. Hub		
<input type="checkbox"/> 25"(559) - Std. Hub (Requires 15" minimum Seat Depth ①. Not available with Short Frame Length.)		
<input type="checkbox"/> 26"(590) - Sport Hub (Requires 15" minimum Seat Depth ①. Not available with Quad Release Axles.)		
AXRW8 Spinerger LX (Not available with Heavy Duty Frame.) <input type="checkbox"/> Black <input type="checkbox"/> Red <input type="checkbox"/> Yellow <input type="checkbox"/> Blue <input type="checkbox"/> White <input type="checkbox"/> Go Green <input type="checkbox"/> Bright Orange <input type="checkbox"/> Flamingo Pink	\$995	
<input type="checkbox"/> 22"(501) - Std. Hub		
<input type="checkbox"/> 24"(540) - Std. Hub		
<input type="checkbox"/> 25"(559) - Std. Hub (Requires 15" minimum Seat Depth ①. Not available with Short Frame Length.)		
<input type="checkbox"/> 26"(590) - Sport Hub (Requires 15" minimum Seat Depth ①. Not available with Quad Release Axles.)		
AXRW15 Topolino CarbonCore (Not available with Heavy Duty Frame or Solid Treaded Tires.)	\$1,195	
<input type="checkbox"/> 24"(540)		
<input type="checkbox"/> 25"(559) (Requires 15" minimum Seat Depth ①.)		
AXRW11 Mag (Not available with Heavy Duty Frame, Short Tabs, Quad Release Axles or Spoke Guards.)	NCO	
<input type="checkbox"/> 22"(501)		
<input type="checkbox"/> 24"(540)		

### AXLES

AXAXL1 <input type="checkbox"/> Stainless Quick Release	STD	
AXAXL2 <input type="checkbox"/> Titanium Quick Release	\$225	
AXAXL3 <input type="checkbox"/> Quad Release (Not available with Mag or 26"(590) Spinerger Spox or LX Rear Wheels.)	\$135	

### AXLE PLATE

AXAXL4 <input type="checkbox"/> Amputee Axle Plate (Not available with Swing Away Tubular or Flip-Back Armrests. Maximum Rear Seat Height ① of 18.5".)	\$175	E0959
--	-------	-------

### PNEUMATIC REAR TIRES

AXRTR1 <input type="checkbox"/> Treaded (Not available with 25"(559) Rear Wheels.)	STD	
AXRTR2 <input type="checkbox"/> Airless Inserts (Not available with Topolino Rear Wheels.)	\$80	E2213
AXRTR3 <input type="checkbox"/> 25"(559) Primo Treaded (Standard with 25"(559) Rear Wheels.)	STD	
AXRTR4 <input type="checkbox"/> Primo (Not available with Mag Rear Wheels.)	NCO	
AXRTR5 24"(540), 25"(559) and 26"(590) Kenda® High Pressure (110psi) <input type="checkbox"/> Grey <input type="checkbox"/> Red <input type="checkbox"/> Blue	\$95	
AXRTR6 <input type="checkbox"/> 24"(540) Grey Knobby (Available with Shadow Rear Wheels Only.)	\$95	
AXRTR7 <input type="checkbox"/> 26"(590) Black Knobby (Available with Shadow, Spinerger SPOX, or Spinerger LX Rear Wheels Only.)	\$95	
AXRTR8 <input type="checkbox"/> 24"(540), 25"(559) and 26"(590) Schwalbe® Marathon Plus Evolution (Not available with Mag Rear Wheels.)	\$125	
AXRTR9 <input type="checkbox"/> 24"(540) and 25"(559) Schwalbe® Slick Tires (Not available with Mag Rear Wheels.)	\$125	

## CUSTOM CONFIGURATION OPTIONS

### SOLID REAR TIRES

AXRTR11 <input type="checkbox"/> 22"(501) Pyramid.....	\$75
AXRTR18 <input type="checkbox"/> 24"(540) and 25"(559) Herringbone Tread (Not available with Topolino Rear Wheels.).....	\$115
AXRTR15 <input type="checkbox"/> 24"(540) and 25"(559) Treaded (Not available with Topolino Rear Wheels.).....	\$95

### HANDRIMS

#### Handrims by OUT-FRONT®

AXRIM1 <input type="checkbox"/> Aluminum – Silver Anodized.....	STD
AXRIM21 <input type="checkbox"/> Aluminum – Black Anodized (Not available with Mag Rear Wheels.).....	NCO
AXRIM12 <input type="checkbox"/> Titanium – Satin Finish (Not available with Mag, 20"(451) or 22"(501) Rear Wheels, or 24"(540) Knobby tires.).....	\$400
The Natural-Fit® (Original, Larger Profile) (Not available with 22"(501) Mag Rear Wheels.)	
AXRIM14 <input type="checkbox"/> Standard Grip (Not available with Short Tabs.).....	\$350
AXRIM15 <input type="checkbox"/> Super Grip (Not available with Short Tabs.).....	\$395
AXRIM16 <input type="checkbox"/> Without Thumb Grip.....	\$325
The Natural-Fit® LT (Reduced Weight, Smaller Profile) (Not available with 22"(501) Mag Rear Wheels.)	
AXRIM17 <input type="checkbox"/> Standard Grip (Not available with Short Tabs.).....	\$380
AXRIM18 <input type="checkbox"/> Super Grip (Not available with Short Tabs.).....	\$425
AXRIM19 <input type="checkbox"/> Without Thumb Grip.....	\$355
AXRIM10 <input type="checkbox"/> The Surge (All-In-One Oval with Gription™ Strip, Larger Profile) (Not available with 22"(501) Mag Rear Wheels.).....	\$350
AXRIM11 <input type="checkbox"/> The Surge LT (All-In-One Oval with Gription™ Strip, Smaller Profile) (Not available with 22"(501) Mag Rear Wheels.).....	\$380
AXRIM20 <input type="checkbox"/> Q-Grip (Exclusive High-Friction, Anti-Slip Coating) (Not available with Mag Rear Wheels.).....	\$295

#### Additional Handrims

AXRIM9 <input type="checkbox"/> Spinerigy FlexRim (Available only on 24" (540) and 25" (559) Spinerigy LX Rear Wheels. Please allow an additional 2-3 weeks delivery.).....	\$600
AXRIM5 <input type="checkbox"/> Plastic Coated – Black.....	\$125
AXRIM6 <input type="checkbox"/> Projections - 8 Vertical Projections (Not available with 22"(501), 26"(590), or Mag Rear Wheels.).....	\$325

#### Tab Length

AXRIM7 <input type="checkbox"/> Long Tabs.....	STD
AXRIM8 <input type="checkbox"/> Short Tabs (Not available with Mag Rear Wheels or The Natural-Fit® Handrims with Thumb Grip.).....	\$20

### WHEEL LOCKS

#### Wheel Locks by OUT-FRONT®

AXWLK7 <input type="checkbox"/> Compact Composite Push to Lock.....	NCO
AXWLK8 <input type="checkbox"/> Compact Composite Pull to Lock.....	NCO
AXWLK10 <input type="checkbox"/> Extension Handles for Compact Composite Push/Pull to Lock.....	\$75 E0961
AXWLK9 <input type="checkbox"/> Composite Scissor Lock (Not available on Aero X Swing Away.).....	\$125

#### Additional Wheel Locks

AXWLK3 Uni-Lock Set At: <input type="checkbox"/> Push OR <input type="checkbox"/> Pull.....	\$145
AXWLK4 <input type="checkbox"/> Extension Handles for Uni-Lock.....	\$75 E0961

### BACK UPHOLSTERY

AXBUP1 <input type="checkbox"/> Padded Nylon (Black Only. Not available with Heavy Duty Frame, Fold-Down Push Handles or Ultrasuede Backrest Stripe.).....	STD
Tension Adjustable by Straps (Included with Heavy Duty Frame. Required with Aluminum Fendered Side Guards and Fold-Down Push Handles.)	
AXBUP3 <input type="checkbox"/> Padded Nylon.....	\$300 E2611
AXBUP5 <input type="checkbox"/> AIR Breathable Upholstery (Not available with Ultrasuede or NiteLite Backrest Stripe.).....	\$300 E2611
AXUPC3 Ultrasuede Backrest Stripe <input type="checkbox"/> Black <input type="checkbox"/> Sapphire <input type="checkbox"/> Red Pepper <input type="checkbox"/> Burnt Orange <input type="checkbox"/> Sub-Lime	
<input type="checkbox"/> Ultraviolet <input type="checkbox"/> Espresso (Not available with Padded Nylon or AIR Breathable Back Upholstery.).....	\$90
AXUPC3 <input type="checkbox"/> TiLite NiteLite Reflective Backrest Stripe (Not available with Air Breathable Back Upholstery.).....	\$90
AXBUP4 <input type="checkbox"/> Ride Designs® Corbac™ Adjustable Contour Back Support (Black Only. Available with Fixed Seat Backs from 11" to 15".).....	\$455 E2611
AXBUP0 <input type="checkbox"/> Omit Back Upholstery.....	NCO

### SEAT UPHOLSTERY

AXSUP4 <input type="checkbox"/> Tension Adjustable (Black only).....	STD
AXSUP0 <input type="checkbox"/> Omit Seat Upholstery.....	NCO
AXSUP6 <input type="checkbox"/> Quick Release Solid Seat Insert.....	\$235

### SEAT CUSHIONS

AXCSH1 Foam Cushion <input type="checkbox"/> 2" <input type="checkbox"/> 3" <input type="checkbox"/> 4".....	\$99
AXCSH2 <input type="checkbox"/> StimuLITE® Sport (2" Black 12" x 12" to 20" x 20". Please allow an additional 2-3 weeks delivery.).....	\$525 E2603
AXCSH3 <input type="checkbox"/> Corbee® (2" Black 6" x 6" to 16" x 16". Please allow an additional 2-3 weeks delivery.).....	\$525 E2603
AXCSH4 <input type="checkbox"/> ROHO® Low Profile® Quadtro Select® (Black only. Please allow an additional 2-3 weeks delivery.).....	\$525 E2624
AXCSH6 <input type="checkbox"/> VARILITE® Evolution™ (Black only. See Chart on Page 7.).....	\$525 E2622
AXCSH7 <input type="checkbox"/> VARILITE® Zoid™ (Black only. See Chart on Page 7.).....	\$525 E2622

### SIDE GUARDS

AXSDG1 <input type="checkbox"/> Cloth (Not available with Ride Designs® Corbac™ Back Support.).....	\$85
<b>Aluminum</b>	
AXSDG2 <input type="checkbox"/> Rigid Removable <input type="checkbox"/> Small OR <input type="checkbox"/> Std.....	\$175
AXSDG3 <input type="checkbox"/> Quad Removable w/Hole <input type="checkbox"/> Small OR <input type="checkbox"/> Std.....	\$185
AXSDG6 <input type="checkbox"/> Fendered Adjustable (Requires Tension Adjustable by Straps Back Upholstery. Not available with Angle-Adjustable Fold-Down Seat Backs.).....	\$295

## CUSTOM CONFIGURATION OPTIONS

**Carbon Fiber**

- AXSDG7  Rigid Removable  Small **OR**  Std..... \$270  
 AXSDG8  Quad Removable w/Hole  Small **OR**  Std..... \$280  
 AXSDG11  Fendered Adjustable (Requires Tension Adjustable by Straps Back Upholstery. Not available with Angle-Adjustable Fold-Down Seat Backs.)..... \$495  
 AXSDG12  Fendered Removable..... \$395

**Available on Aluminum and Carbon Fiber Non-Fendered Side Guards**

- AXSDG13  Side Guards Custom Cut to Profile of Rear Wheels (Not available with Cloth.)..... \$275

**VARILITE® SEAT CUSHION AVAILABILITY CHART**

Seat Width Ⓐ	VARILITE® Evolution™	VARILITE® Zoid™
12"	14"	8", 12", 14"
13"	NONE	NONE
14"	14", 16", 18", 20"	14", 16", 18"
15"	15", 17"	15", 17"
16"	14", 16", 18", 20"	16", 18", 20"
17"	17"	17"
18"	16", 18", 20"	16", 18", 20"
19"	NONE	NONE
20"	16", 18", 20"	16", 18", 20"

**ARMRESTS** (Desk Arms come with built-in Side Guards.)

- AXARM1 Swing Away Tubular (Not available with Heavy Duty Frame, Folding stabilizer bar with Short or Medium seat back height ranges, Amputee Axle Plate or Depth Adjustable Back/Frame.)..... \$195 **E0973**  
 9" - 12" **OR**  12" - 15"  
 AXARM4  Swing Away - Flip Back Tubular (Not available with Heavy Duty Frame, Folding Stabilizer Bar, or Amputee Axle Plate.)..... \$275 **E0973**  
 AXARM2 Removable Height Adjustable Desk Arm with Rigid Side Guard (Not Available with Short Frame Length.)..... \$295 **E0973**  
 9" to 12" **OR**  12" to 15"  
 Standard Length Pad (10") **OR**  Full Length Pad (14")  
 AXARM3 Removable Height Adjustable Desk Arm with Rigid Side Guard and Transfer Loop (Not Available with Short Frame Length.)..... \$325 **E0973**  
 9" to 12" **OR**  12" to 15"  
 Standard Length Pad (10") **OR**  Full Length Pad (14")  
**Available on all Armrests**  
 AXARM5  Covered in Black Ultrasuede..... \$95

**SEAT BELTS**

- AXBLT1  Velcro Adjustable, Black Nylon Webbing..... \$45 **E0978**  
 AXBLT2  Bodypoint® 2" Push-Button Buckle (Auto-Style.)..... \$85 **E0978**  
 AXBLT4  Bodypoint® 1" Wide Push-Button Buckle Padded (Auto-Style.) (Not available with 19" - 22" Rear Seat Widths Ⓐ.)..... \$165 **E0978**  
 AXBLT5  Bodypoint® 1.5" Wide Push-Button Buckle Padded (Auto-Style.) (Not available with 19" - 22" Rear Seat Widths Ⓐ.)..... \$155 **E0978**  
 AXBLT6  Bodypoint® 1.5" Wide Rehab Latch Buckle Padded (Airline-Style.) (Not available with 19" - 22" Rear Seat Widths Ⓐ.)..... \$160 **E0978**  
 AXBLT7  Bodypoint® 1.5" Wide Plastic Side Release Padded (Not available with 19" - 22" Rear Seat Widths Ⓐ.)..... \$120 **E0978**  
 AXBLT9  Bodypoint® Evoflex Pelvic Stabilizer..... \$210 **E0978**  
 AXBL10  Bodypoint® Optional Band Clamp Mounting Hardware..... \$20 **E0978**

**CALF STRAP**

- AXCLF2 Velcro Adjustable ..... \$35 **K0038**  
 Small (Recommended for 9"- 12" Footrest Widths)  
 Medium (Recommended for 11"- 15" Footrest Widths)  
 Large (Recommended for 14"- 17" Footrest Widths)  
 Xtra Large (Recommended for 16"- 19" Footrest Widths)  
 AXCLF3 Bodypoint® Padded Velcro Adjustable ..... \$90 **K0038**  
 Medium (Recommended for 12"- 15" Footrest Widths)  
 Large (Recommended for 16"- 20" Footrest Widths)  
 AXCLF1  Buckle Adjustable, Black Nylon Webbing..... \$25 **K0038**

**BACK PACK**

- AXBCK1  Small - Black Nylon ..... \$50  
 AXBCK2  Large - Black Nylon..... \$65

**SEAT POUCH**

- AXPCH1  Small - Black Nylon..... \$40  
 AXPCH2  Large - Black Nylon..... \$45

**SPOKE GUARDS by SPOZEE.COM**

- AXGRD1  Clear with TiMotion Logo (Not available with Mag Rear Wheels.)..... \$115 **K0065**  
 AXGRD2  Scooter Frog (Requires Shadow Rear Wheels.)..... \$275 **K0065**  
 AXGRD3  Color Spectrum (ROYGBIV) on Black (Requires Shadow Rear Wheels.)..... \$275 **K0065**  
 AXGRD4  Purple Party (Requires Shadow Rear Wheels.)..... \$275 **K0065**

## CUSTOM CONFIGURATION OPTIONS

### ANTI-TIPS

AXTIP1 <input type="checkbox"/> Rear Aluminum - Black.....	\$140	E0971
AXTIP2 <input type="checkbox"/> User Friendly Flip-up.....	\$295	E0971

### ACCESSORIES

AXUEST1 Upper Extremity Support Tray <input type="checkbox"/> 12" to 14" <b>OR</b> <input type="checkbox"/> 13" to 15" Seat Widths <b>A</b> (Requires Armrests.).....	\$250	E0950
AXGS1 <input type="checkbox"/> GRIP Solutions Lap Tray.....	\$85	
AXLUG1 <input type="checkbox"/> Luggage Carriers (Not available with High Mount Swing Away Footrests or 1-Piece Flip-up Footrest.).....	\$125	
AXMPCT2 Neoprene Impact Guards with Ultrasuede Stripe (Not available with High Mount Footrests, 90° Hangers or Elevating Leg Rest.) <input type="checkbox"/> Black <input type="checkbox"/> Sapphire <input type="checkbox"/> Red Pepper <input type="checkbox"/> Burnt Orange <input type="checkbox"/> Sub-Lime <input type="checkbox"/> Ultraviolet <input type="checkbox"/> Espresso.....	\$90	
AXMPCT2 <input type="checkbox"/> TiLite NiteLite Neoprene Impact Guards with Reflective Stripe (Not available with High Mount Footrests, 90° Hangers or Elevating Leg Rest.).....	\$90	
AXCH1 <input type="checkbox"/> Crutch Holder.....	\$195	E2207
AXHS1 <input type="checkbox"/> TiLite 9 Piece SAE Round Handle Folding Hex Key Set.....	\$25	
AXAFP1 4" Logo Patch <input type="checkbox"/> Army <input type="checkbox"/> Navy <input type="checkbox"/> Air Force <input type="checkbox"/> Marines .....	\$90	
AXAFP2 Name Tape Patch <input type="checkbox"/> Army <input type="checkbox"/> Navy <input type="checkbox"/> Air Force <input type="checkbox"/> Marines .....	\$90	
AXAFP3 <input type="checkbox"/> Combat Wounded Purple Heart Patch.....	\$90	

## DESIGNS UNLIMITED

TiLite's Aero X offers hundreds of different frame combinations! But sometimes even that's not enough. If you would like to customize your TiLite, check out the Designs Unlimited Studio at [tilite.com](http://tilite.com). There you will find drawings and pricing for hundreds of creative solutions to customers' customization requests. We call these "D.U.'s." If you don't find the D.U. you're looking for, contact the TiLite Customer Service Team at 800.545.2266 or [customerservice@tilite.com](mailto:customerservice@tilite.com) and we'll design a D.U. just for you. Designs Unlimited customization may add an additional 2 to 3 weeks to the ship time of your chair.

## GENERAL

TiLite manufactures a wide variety of wheelchairs to meet the varied needs of wheelchair users. The final selection of a particular model, its options and accessories, and its measurements rests solely with the wheelchair user and advising healthcare professional. TiLite wheelchairs must be fitted by a qualified healthcare professional. HCPCS Codes are for reference purposes only. Actual coding and coverage varies by payer. Proper HCPCS coding is not a guarantee of payment. Please verify the appropriate payer's coverage policy.

**Get the latest order forms at [tilite.com](http://tilite.com).** Prices, standard features, options and accessories are subject to change without notice. All rights reserved. Trademarks are identified by symbols™ and ©. TiLite, TiFit, the TiLite logo, Ti, the Ti logo, The Titanium Experts, and TiShaft are registered trademarks of TiSport, LLC and are licensed to TiLite, LLC. Adobe®, Acrobat®, Acrobat Professional® and Reader® are registered trademarks of Adobe Systems Inc. Bodypoint® is a registered trademark of Bodypoint Inc. Kenda® is a registered trademark of Kenda Rubber Industrial Co. Ltd. Ride Designs® and Corbac® are registered trademarks of Aspen Seating, LLC. ROHO®, Low Profile® and Quadro Select® are registered trademarks of ROHO Inc. Schwalbe® is a registered trademark of Ralf Bohle GmbH. Supracor®, Stimulite® and Corbee® are registered trademarks of Supracor, Inc. The Natural-Fit® and Out-Front® are registered trademarks of Three Rivers Holdings, LLC. Varilite® is a registered trademark of Cascade Designs, Inc.

<b>QUOTE THIS CHAIR</b>	If you are using Adobe Acrobat, this order form may be converted into a quote request or into an order by clicking one of the buttons (this feature is available exclusively to TiLite dealers and distributors). A TiLite Quote or a TiLite Order Confirmation will be sent to you within 24 hours.	<b>ORDER THIS CHAIR</b>
-------------------------	--	-------------------------