

TiLite AERO T Order Form

Effective July 1, 2014 (New Items in Red)

ALUMINUM RIGID FRAME

Page 1 of 8

DEALER INFORMATION		RTS INFORMATION	
Dealer:	Account #:	RTS:	Phone:
PO:	Ordered By:	Email:	
Email:		SHIP TO INFORMATION	
Mark For:		Name:	Ship Via:
TiLite Sales Rep:		Address:	
TiLite Information:	Promo Code:	City:	State: Zip:
Ship Date:	Order #:	Phone:	Fax:

Please Email or Fax to the TiLite Customer Service Team at orders@tilite.com or 866.586.2413 / 509.586.2413

- ATFS1 **TiLite Aero T** (Full Adjustability. 265 Pound Weight Limit. For Rear Seat Width **A** and Seat Depth **B** of 15" or greater, use K0005. For Rear Seat Width **A** and Seat Depth **B** of less than 15", use E1235.).....**\$2,395** **K0005**
- ATFS4 **Titanium Frame** (Light Weight, High Strength and Vibration Dampening.).....**\$1,295** **K0108**

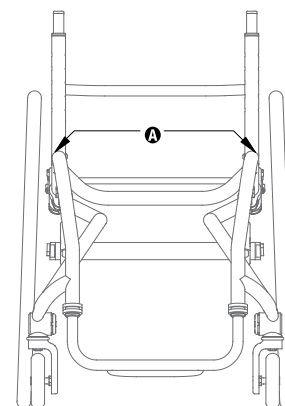
TiFIT®: TAILORED INDIVIDUALIZED FRAME

SEAT WIDTH **A** Measure from outside of seat tube at back post to the outside of the opposite seat tube at back post.

- ATSW1 12" 13" 14" 15" 16" 17" 18" 19".....**STD**
- ATSW2 20" (HCPCS code only applies to 20" Rear Seat Width **A**.).....**\$450** **E2201**

SEAT DEPTH **B** Measure from front of back post to the front edge of seat sling. Front edge of seat sling will be .5" behind bend at front of chair frame, unless Glide™ Forks or a 90° Front Angle is ordered, in which case front edge of seat sling begins approximately 1" behind the bend.

- ATSD1 12" 13" 14" 15" 16" 17" 18" 19".....**STD**
- ATSD2 20".....**\$475** **E2203**
- ATSD3 Custom Frame Depth: _____" Frame Depth Longer or Shorter Than Seat Depth (A Custom Frame Depth of 20" is \$475.).....**NCO**



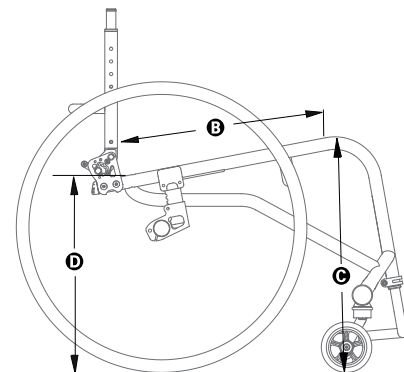
FRONT SEAT HEIGHT **C** Measure from floor to top of seat tube at beginning of bend. AERO T adjusts up and down in 1/2" increments.

- ATFSH1 15" 15.5" 16" 16.5" 17" 17.5" 18" 18.5" 19" 19.5" 20" 20.5" 21".....**STD**

REAR SEAT HEIGHT **D** Measure from floor to top of seat tube at back post. AERO T adjusts up and down in 1/2" increments.

REAR SEAT HEIGHT RANGES

Rear Wheel Size	Rear Seat Height D	
20"	13"- 19"	ATRSH1 <input type="checkbox"/> 13" <input type="checkbox"/> 13.5" <input type="checkbox"/> 14" <input type="checkbox"/> 14.5"
22"	14"- 20"	<input type="checkbox"/> 15" <input type="checkbox"/> 15.5" <input type="checkbox"/> 16" <input type="checkbox"/> 16.5"
24"	15"- 21"	<input type="checkbox"/> 17" <input type="checkbox"/> 17.5" <input type="checkbox"/> 18" <input type="checkbox"/> 18.5"
25"	15.5"- 21"	<input type="checkbox"/> 19" <input type="checkbox"/> 19.5" <input type="checkbox"/> 20" <input type="checkbox"/> 20.5"
26"	15.5"- 21"	<input type="checkbox"/> 21"..... STD



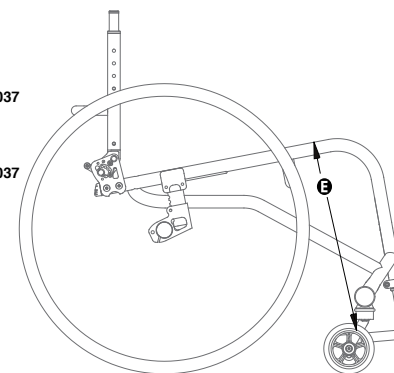
SEAT TO FOOTREST **E/FOOTRESTS** Measure from front edge of seat sling to top rear of Footrest.

Standard Footrests Measurement must be at least 2" shorter than Front Seat Height **C**.

- 13.5" 14" 14.5" 15" 15.5" 16" 16.5" 17"
- 17.5" 18" 18.5" 19"
- ATFTR3 Angle Adjustable Footrest**STD**
- ATFTR1 Titanium Footrest w/Flat ABS Cover.....**\$175**
- ATFTR2 Titanium Open Loop Footrest**\$225**
- ATFTR12 Flip-Back Footrest (Not available with ABS Cover w/ 2" Sides or Front Roller.).....**\$150** **K0040, K0037**

High Mount Footrest

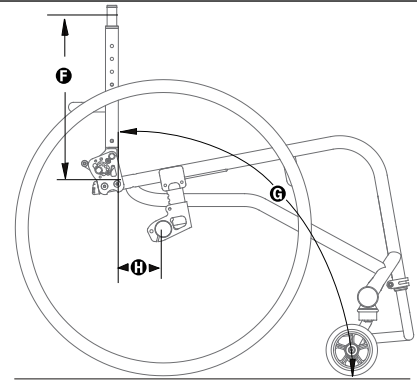
- 7"-9" 9"-11" 11"-13 Set at _____ (Use 1/2" increments)
- ATFTR4 Angle Adjustable High Mount Footrest**\$95** **K0040, K0037**
- ATFTR14 **ABS Cover w/2" Sides** (Not available with Flip-Back Footrest.).....**\$95** **K0041**



THE ULTIMATE RIDE.®

tilite.com
2701 West Court Street | Pasco, Washington 99301
509.586.6117 Tel | 800.545.2266 Toll-Free
509.586.2413 Fax | 866.586.2413 Toll-Free Fax

TIFIT®: TAILORED INDIVIDUALIZED FRAME



SEAT BACK TYPE/PUSH HANDLES/SEAT BACK HEIGHT **F** Measure from top of back post to top of seat tube at rear of frame.

SEAT BACK TYPE

- ATSB1 Folding Aluminum Adjustable Height.....**NCO**
- ATSB2 Folding Titanium Adjustable Height with New Rounded Rigidizer Bar
(Titanium back will match Frame Finish. Not available with Bolt-On Push Handles.)....**\$225**

TISHAFT™ BACK RELEASE BARS

- ATSB3 Aluminum**STD**
- ATSB4 Titanium.....**\$65**
- ATSB5 Carbon Fiber.....**\$65**

PUSH HANDLES

- ATSB6 Integrated Push Handles.....**NCO**
- ATSB7 Integrated Fold-Down Push Handles (Requires Tension Adjustable by Straps Back Upholstery.).....**\$100**
- ATSB8 Bolt-On Push Handles (Requires 4" Deep Backrest Rigidizer Bar. Not available with Ti Back.).....**\$175**
- ATSB9 Bolt-On Height-Adjustable Push Handles (Requires 4" Deep Backrest Rigidizer Bar. Not available with Ti Back.)..... **\$295**

SEAT BACK HEIGHT **F**

Push Handles (Selected Above)	Short	Medium	Tall	Set at: (Use 1/2" increments)
None / Bolt-On	<input type="checkbox"/> 8.5"- 11.5"	<input type="checkbox"/> 12"- 16.5"	<input type="checkbox"/> 16.5"- 20.5"	Set at: _____
Integrated	<input type="checkbox"/> 10.5"- 12.5"	<input type="checkbox"/> 13.5"- 16.5"	<input type="checkbox"/> 17.5"- 20.5"	Set at: _____
Integrated Fold-Down	<input type="checkbox"/> 13"- 15.5"	<input type="checkbox"/> 14"- 18.5"	<input type="checkbox"/> 18.5"- 21"	Set at: _____

AVAILABLE ON ALL BACKS

- ATSB11 Backrest that Locks when Folded.....**NCO**
- ATSB12 4" Deep Backrest Rigidizer Bar (Available with Aluminum and Titanium backrest option. 4" Deep Rigidizer Bar is NOT a rounded style rigidizer bar.).....**NCO**
- ATSB13 Custom Height Backrest Rigidizer Bar (The Standard Rigidizer Bar height is 5" above the Seat Sling for a short, 6" for a medium and 10" for a tall. Custom Height Rigidizer Bar must be at least 4-1/2" above Seat Sling. Maximum Height is 3" less than Lowest Seat Back Height without push handles.).....**\$150**
Set at: _____ (Use 1/4" increments)

SEAT BACK ANGLE **G** Measure angle from front of back post to floor.

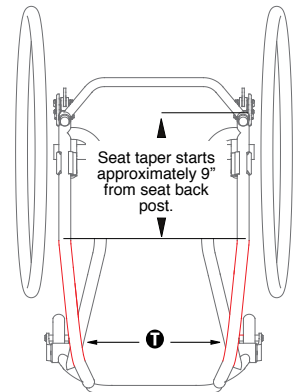
- ATSB1 80° 83° 86° 89° 92° 95° 98° 101°.....**STD**

CENTER OF GRAVITY **H** Measure from front of back post at the seat tube to the center of the rear axle. If no center of gravity is selected, chair will ship with the center of gravity in the rearward-most position.

- ATCOG1 1" 1.25" 1.5" 1.75" 2" 2.25" 2.5" 2.75" 3" 3.25" 3.5" 3.75" 4" 4.25" 4.5" 4.75" 5" 5.25" 5.5" 5.75" 6".....**STD**

FRONT SEAT WIDTH (SEAT TAPER) **I** Measure from inside of front frame tube to inside of opposite front frame tube. (Required with V-Front End **V**. Not Available with Standard Front End **I**.)

- ATFSW1 No Taper (2" Narrower than Rear Seat Width **A**.).....**STD**
- ATFSW2 1" Taper (3" Narrower than Rear Seat Width **A**. Includes Tension Adjustable by Straps Seat Upholstery.).....**\$250**
- ATFSW4 2" Taper (4" Narrower than Rear Seat Width **A**. Includes Tension Adjustable by Straps Seat Upholstery.).....**\$250**
- ATFSW6 3" Taper (5" Narrower than Rear Seat Width **A**. Includes Tension Adjustable by Straps Seat Upholstery. Not available with 12" seat width.).....**\$250**

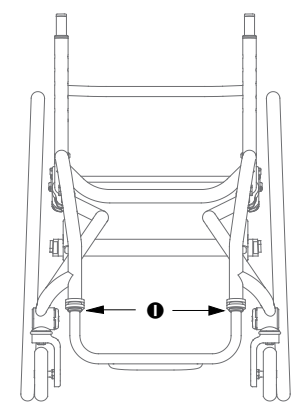


FOOTREST WIDTH **I** Select a Standard Front End below.

ATFE1 **STANDARD FRONT END** **I** Find your Rear Seat Width **A** in the Chart below and select one of the options to the right. Measure from inside of front frame tube to inside of opposite front frame tube.....**STD**

REAR SEAT WIDTH A (Outside Measurement)	FOOTREST WIDTH I		
	No Taper (2" Narrower than Rear Seat Width)	2" Taper (4" Narrower than Rear Seat Width)	4" Taper (6" Narrower than Rear Seat Width)
12"	<input type="checkbox"/> 10"	<input type="checkbox"/> 8"	
13"	<input type="checkbox"/> 11"	<input type="checkbox"/> 9"	
14"	<input type="checkbox"/> 12"	<input type="checkbox"/> 10"	<input type="checkbox"/> 8"
15"	<input type="checkbox"/> 13"	<input type="checkbox"/> 11"	<input type="checkbox"/> 9"
16"	<input type="checkbox"/> 14"	<input type="checkbox"/> 12"	<input type="checkbox"/> 10"
17"	<input type="checkbox"/> 15"	<input type="checkbox"/> 13"	<input type="checkbox"/> 11"
18"	<input type="checkbox"/> 16"	<input type="checkbox"/> 14"	<input type="checkbox"/> 12"
19"	<input type="checkbox"/> 17"	<input type="checkbox"/> 15"	<input type="checkbox"/> 13"
20"	<input type="checkbox"/> 18"	<input type="checkbox"/> 16"	<input type="checkbox"/> 14"

OR



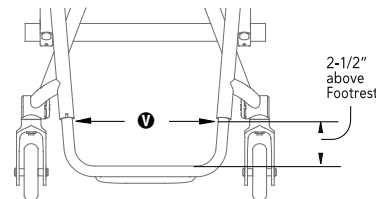
TIFIT®: TAILORED INDIVIDUALIZED FRAME

ATFE2 **V-FRONT END** **V** Measure from inside of front frame tube to inside of opposite front frame tube 2-1/2" above footrest.

(Titanium Footrests have 1" of adjustment up and down.)\$250

NO V-Front Taper

- 8" 8.5" 9" 9.5" 10" 10.5" 11" 11.5"
 12" 12.5" 13" 13.5" 14" 14.5" 15" 15.5"
 16" 16.5" 17" 17.5"



REAR WHEEL SPACING **W**/PLUGS Measure from outside of seat back post to inside of rear tire.

.75" Rear Wheel Spacing not available with 0° or 2° Camber **K**.

ATRSW1 .75" 1" 1.25" 1.5" 1.75" 2".....**STD**

ATCBR12 Adjustable Rear Wheel Spacing Camber Plugs.....**STD**

ATCBR9 Additional Spacers to Increase Rear Wheel Spacing.....**NCO**

ATCBR11 Zero Play Aluminum Camber Plugs (Not available with more than 6° of Camber **K**.).....**NCO**

CAMBER **C**/CAMBER TUBES

ATCBR1 0° 2° 4° 6° 8° 12°**STD**

ATCBR2 15° 18°.....**\$75**

ATCBR15 Aluminum Camber Tube.....**STD**

ATCBR3 Titanium Camber Tube (Not available with Power Adaptable Frame.).....**\$175**

ATCBR6 Carbon Fiber Camber Tube (Not available with Power Adaptable Frame or more than 6° of Camber.).....**\$175**

ATCBR13 Camber for Additional Camber Tube 0° 2° 4° 6° 8° 12°

(More than 6° of Camber **K** is not available with Zero Play Aluminum Camber Plugs or

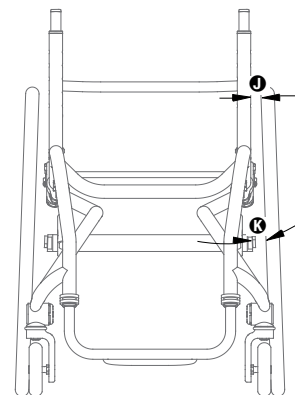
Carbon Fiber Camber Tube).....**STD**

ATCBR14 15° 18°.....**\$75**

ATCBR4 Additional Titanium Camber Tube.....**\$225**

ATCBR7 Additional Carbon Fiber Camber Tube.....**\$225**

ATCBR5 Additional Aluminum Camber Tube**\$100**



FRONT ANGLE **A** Measure from frame front to floor.

ATFA1 70° 80° 85° (Not available with 6" Front Wheels.)

90° (Not available with 5" or 6" Front Wheels.).....**STD**

FRAME STYLE

TILITE SPECIAL EDITIONS If selecting one of the TiLite Special Editions you must still fill out the entire order form. Edition options will override inconsistent selections. Options cannot be added or deleted.

ATP1 **SuperLite Edition**

ATFAT2 Titanium Open Loop Footrest**\$225**

ATSB2 Folding Titanium Back.....**\$225**

ATSB5 Carbon Fiber TiShaft™ Back Release Bar.....**\$65**

ATCBR6 Carbon Fiber Camber Tube (Not available with a Power Adaptable Frame. When a Power Adaptable Frame is selected, an Aluminum Camber Tube will be used.).....**\$175**

ATFK2 TiLite Slipstream Single-Sided Fork.....**\$150**

ATTFS1 Titanium Fork Stem.....**\$50**

Retail: \$890

SuperLite Edition Price: \$755

ATP4 **Armed Forces Edition** (Armed Forces Edition can be ordered in combination with any of the other Frame Styles. Light Satin, Satin or Polished Natural Titanium Finishes may also be selected with Armed Forces Edition. Neoprene Impact Guards will match Digital Camo when ordered.).....**\$140**

ATAF1 Army (Subdued Green painted frame with ACU digital upholstery.)

ATAF2 Navy (Subdued Dark Blue painted frame with NWU digital upholstery.)

ATAF3 Air Force (Subdued Green painted frame with ABU digital upholstery.)

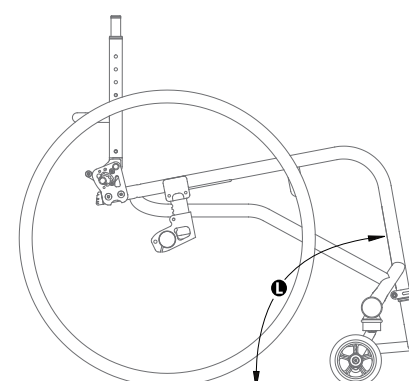
ATAF4 Marines (Subdued Tan painted frame with MARPAT - Desert digital upholstery.)

ATAFP1 4" Logo Patch **OR** ATAFP2 Name Tape Patch

ATAFP3 Combat Wounded Purple Heart Patch

ATPWR1 **Power Adaptable Frame for Frank Mobility System** (No charge when 20" Rear Seat Width **A** and 20" Seat Depth **B** are selected. Requires LiteSpeed Billet Aluminum Front Wheels and 0 degree camber. Not available with Carbon Fiber or Titanium Camber Tubes or Slipstream Forks.).....**\$300**

ATFRFR1 **Reinforced Frame** (No charge when 20" Rear Seat Width **A** and 20" Seat Depth **B** are selected.)**\$300**



FRAME FINISHES

Natural Finishes

ATFF1 Light Satin (Available with Aluminum Frame only. Finished with clear powder coat.).....**STD**

ATFF26 Satin (Available with Titanium Frame only.).....**STD**

ATSCBT1 Satin Finish Buffing Pads.....**\$15**

ATFF2 Polished (Available with Titanium Frame only.).....**\$650**

FRAME FINISHES

ATFF3 Tattoos (Tattoos on front frame tubes. Frame finished in Satin. Click on the images below to view the Tattoos online.)\$295

ATFF31 The King of Rock

ATFF32 Aloha



ATFF33 Snow Leopard

ATFF34 Wood Grain



- | | | | |
|--------------------------|---|--|---|
| High Gloss Paint | ATFF8 <input type="checkbox"/> Super Wet Black | ATFF9 <input type="checkbox"/> Sunburst Yellow | ATFF10 <input type="checkbox"/> TiLite Red |
| | ATFF11 <input type="checkbox"/> Military Green | ATFF12 <input type="checkbox"/> Orange Crush | ATFF29 <input type="checkbox"/> Neon Pink |
| | ATFF28 <input type="checkbox"/> Neon Green | | |
| Metallic Paint | ATFF14 <input type="checkbox"/> Ocean Blue Metallic | ATFF15 <input type="checkbox"/> Tangerine Metallic | ATFF16 <input type="checkbox"/> Salsa Red Metallic |
| | ATFF30 <input type="checkbox"/> Acid Green Metallic | | |
| Pearlescent Paint | ATFF17 <input type="checkbox"/> Midnight Blue Pearl | ATFF18 <input type="checkbox"/> White Pearl | |
| Matte Paint | ATFF19 <input type="checkbox"/> Black Lava | ATFF20 <input type="checkbox"/> Deep Blue Ice | ATFF27 <input type="checkbox"/> Titanium Grey |
| Candy Paint | ATFF22 <input type="checkbox"/> Ruby Red | ATFF23 <input type="checkbox"/> Azure Blue | ATFF25 <input type="checkbox"/> Electric Plum..... STD |

COLOR ANODIZE PACKAGE

(Color Anodize Package includes: Aluminum Camber Tube (Color Anodize not available with Power Adaptable Camber Tube), Camber Mount, Footrest Clamp, Caster Mount, Caster Fork, and Caster Cap. If no anodize color is selected, the default will be black.)

- ATANO1 Black.....**STD**
 ATANO5 Sapphire ATANO3 Red Pepper ATANO6 Burnt Orange ATANO7 Sub-Lime ATANO8 Ultraviolet**\$150**

CUSTOM CONFIGURATION OPTIONS

FRONT WHEELS

- ATFW1 3"x.75" Micro-Caster (Not available with Slipstream Fork, Glide™ Single-Sided Fork or Power Adaptable Frame.).....**STD**
 ATFW2 3"x.75" Light-Up Micro-Caster (Not available with Slipstream Fork, Glide™ Single-Sided Fork or Power Adaptable Frame.).....**\$70**
 ATFW24 3"x1.5" LiteSpeed Billet Aluminum Wheel w/Soft Roll Tire Silver Hub **OR** Black Hub.....**\$155**
 ATFW14 4"x.75" Plastic Wheel w/Poly Tire (Not available with Slipstream Fork, Glide™ Single-Sided Fork or Power Adaptable Frame.).....**NCO**
 ATFW3 4"x.75" Light-Up Micro-Caster (Not available with Slipstream Fork, Glide™ Single-Sided Fork or Power Adaptable Frame.).....**\$70**
 ATFW25 4"x.75" LiteSpeed Billet Aluminum Wheel w/Poly Tire Silver Hub **OR** Black Hub**\$125**
 ATFW26 4"x1.5" LiteSpeed Plastic Wheel w/Soft Roll Tire (Not available with Power Adaptable Frame.).....**\$80**
 ATFW27 4"x1.5" LiteSpeed Billet Aluminum Wheel w/Soft Roll Tire Silver Hub **OR** Black Hub.....**\$165**
 ATFW6 5"x1" Plastic Wheel w/Poly Tire (Not available with 90° Front Angle **Ⓛ**, Slipstream Fork, Glide™ Single-Sided Fork or Power Adaptable Frame.)....**NCO**
 ATFW28 5"x1.5" LiteSpeed Plastic Wheel w/Soft Roll Tire (Not available with 90° Front Angle **Ⓛ**, or Power Adaptable Frame.).....**\$80**
 ATFW29 5"x.75" LiteSpeed Billet Aluminum Wheel w/Poly Tire Silver Hub **OR** Black Hub (Not available with 90° Front Angle **Ⓛ**).....**\$145**
 ATFW30 5"x1.5" LiteSpeed Billet Aluminum Wheel w/Soft Roll Tire Silver Hub **OR** Black Hub (Not available with 90° Front Angle **Ⓛ**).....**\$185**
 ATFW9 6"x1" Plastic Wheel w/Poly Tire (Not available with 85° or 90° Front Angle **Ⓛ**, Slipstream Fork, Glide™ Single-Sided Fork or Power Adaptable Frame.).....**NCO**
 ATFW34 6"x1" LiteSpeed Billet Aluminum Wheel w/Poly Tire Silver Hub **OR** Black Hub (Not available with 85° or 90° Front Angle **Ⓛ**, Slipstream Fork, Glide™ Single-Sided Fork or Power Adaptable Frame.).....**\$165**
 ATFW31 6"x1.25" LiteSpeed Billet Aluminum Wheel w/Pneumatic Tire Silver Hub **OR** Black Hub (Not available with 85° or 90° Front Angle **Ⓛ**, Slipstream Fork, Glide™ Single-Sided Fork or Power Adaptable Frame.).....**\$165**
 ATFW32 6"x1.5" LiteSpeed Plastic Wheel w/Soft Roll Tire (Not available with 85° or 90° Front Angle **Ⓛ**, Slipstream Fork, Glide™ Single-Sided Fork or Power Adaptable Frame.).....**\$80**
 ATFW33 6"x1.5" LiteSpeed Billet Aluminum Wheel w/Soft Roll Tire Silver Hub **OR** Black Hub (Not available with 85° or 90° Front Angle **Ⓛ**, Slipstream Fork, Glide™ Single-Sided Fork or Power Adaptable Frame.).....**\$195**

FRONT FORKS

- ATFK1 TiLite Standard Fork.....**STD**
 ATFK2 TiLite Slipstream Single-Sided Fork (Not available w/Power Adaptable Frame.).....**\$150**
 ATGL1 Out-Front Glide™ Suspension Fork (Black anodize only.).....**\$425 E1015**
 Rider's Weight: 125 lbs. 125-180 lbs. 180-265 lbs.
 ATGL2 Out-Front Glide™ Single-Sided Suspension Fork (Black anodize only. Not available with 6" Front Wheels.).....**\$545 E1015**
 Rider's Weight: 125 lbs. 125-180 lbs. 180-265 lbs.
 ATFFS1 Titanium Fork Stem.....**\$50**

REAR WHEELS (See Rear Seat Height Ranges Chart on Page 1 for Rear Seat Height **Ⓛ** limitations.)

- ATRW14 TiLite SHADOW™**STD**
 20"(451)
 22"(501)
 24"(540)
 25"(559) (Requires 15" minimum Seat Depth **Ⓛ**.)
 26"(590) (Requires 15" minimum Seat Depth **Ⓛ**.)

CUSTOM CONFIGURATION OPTIONS

ATRW13 Golz TWIN-STAR Exchange.....	\$895
<input type="checkbox"/> 24"(540)	
<input type="checkbox"/> 25"(559) (Requires 15" minimum Seat Depth Ⓢ.)	
<input type="checkbox"/> 26"(590) (Requires 15" minimum Seat Depth Ⓢ.)	
ATRW7 Spinergy SPOX <input type="checkbox"/> Black <input type="checkbox"/> Red <input type="checkbox"/> Yellow <input type="checkbox"/> Blue <input type="checkbox"/> White	\$695
<input type="checkbox"/> 22"(501) - Std. Hub	
<input type="checkbox"/> 24"(540) - Std. Hub	
<input type="checkbox"/> 25"(559) - Std. Hub (Requires 15" minimum Seat Depth Ⓢ.)	
<input type="checkbox"/> 26"(590) - Sport Hub (Requires 15" minimum Seat Depth Ⓢ. Not available with Quad Release Axles.)	
ATRW8 Spinergy LX <input type="checkbox"/> Black <input type="checkbox"/> Red <input type="checkbox"/> Yellow <input type="checkbox"/> Blue <input type="checkbox"/> White <input type="checkbox"/> Go Green <input type="checkbox"/> Bright Orange <input type="checkbox"/> Flamingo Pink.....	\$895
<input type="checkbox"/> 22"(501) - Std. Hub	
<input type="checkbox"/> 24"(540) - Std. Hub	
<input type="checkbox"/> 25"(559) - Std. Hub (Requires 15" minimum Seat Depth Ⓢ.)	
<input type="checkbox"/> 26"(590) - Sport Hub (Requires 15" minimum Seat Depth Ⓢ. Not available with Quad Release Axles.)	
ATRW15 Topolino CarbonCore (Not available with Solid Treaded Tires.).....	\$1,195
<input type="checkbox"/> 24"(540)	
<input type="checkbox"/> 25"(559) (Requires 15" minimum Seat Depth Ⓢ.)	
ATRW11 Mag (Not available with Short Tabs, Quad Release Axles or Spoke Guards.)	\$50
<input type="checkbox"/> 22"(501)	
<input type="checkbox"/> 24"(540)	
ATRW0 Omit Rear Wheels (Must choose Wheel Size and Tire Type below.).....	\$50
<input type="checkbox"/> 20"(451) <input type="checkbox"/> 22"(501) <input type="checkbox"/> 24"(540) <input type="checkbox"/> 25"(559) <input type="checkbox"/> 26"(590)	

AXLES

ATAXL1 <input type="checkbox"/> Stainless Quick Release.....	STD
ATAXL2 <input type="checkbox"/> Titanium Quick Release.....	\$225
ATAXL3 <input type="checkbox"/> Quad Release (Not available with Mag or 26"(590) Spinergy Spox or LX Rear Wheels.).....	\$125

PNEUMATIC REAR TIRES

ATRTR1 <input type="checkbox"/> Treaded (Not available with 25"(559) Rear Wheels.).....	STD
ATRTR2 <input type="checkbox"/> Airless Inserts (Not available with Topolino Rear Wheels.).....	\$80
ATRTR3 <input type="checkbox"/> 25"(559) Primo Treaded (Standard with 25"(559) Rear Wheels.).....	STD
ATRTR4 <input type="checkbox"/> Primo (Not available with Mag Rear Wheels.).....	NCO
ATRTR16 <input type="checkbox"/> 20"(451) Kenda® Grey High Pressure (110psi).....	\$95
ATRTR5 24"(540), 25"(559) and 26"(590) Kenda® High Pressure (110psi) <input type="checkbox"/> Grey <input type="checkbox"/> Red <input type="checkbox"/> Blue	\$95
ATRTR6 <input type="checkbox"/> 24"(540) Grey Knobby (Available with Shadow Rear Wheels Only.).....	\$95
ATRTR7 <input type="checkbox"/> 26"(590) Black Knobby (Available with Shadow, Spinergy SPOX, or Spinergy LX Rear Wheels Only.).....	\$95
ATRTR8 <input type="checkbox"/> 24"(540), 25"(559) and 26"(590) Schwalbe® Marathon Plus Evolution (Not available with Mag Rear Wheels.).....	\$125
ATRTR9 <input type="checkbox"/> 24"(540) and 25"(559) Schwalbe® SpeedRun (Not available with Mag Rear Wheels.).....	\$125

E2213

SOLID REAR TIRES

ATRTR10 <input type="checkbox"/> 20"(451) Street Tread.....	\$70
ATRTR11 <input type="checkbox"/> 22"(501) Pyramid.....	\$75
ATRTR18 <input type="checkbox"/> 24"(540) and 25"(559) KIK MAKO Herringbone Tread (Not available with Topolino Rear Wheels.).....	\$115
ATRTR15 <input type="checkbox"/> 24"(540) and 25"(559) Treaded (Not available with Topolino Rear Wheels.).....	\$95

HANDRIMS

Handrims by OUT-FRONT®

ATRIM1 <input type="checkbox"/> Aluminum – Silver Anodized.....	STD
ATRIM21 <input type="checkbox"/> Aluminum – Black Anodized (Not available with Mag or 20"(451) Rear Wheels.).....	NCO
Titanium (Not available with Mag, 20"(451) or 22"(501) Rear Wheels, or 24"(540) Knobby tires.)	
ATRIM12 <input type="checkbox"/> Satin Finish.....	\$400
ATRIM13 <input type="checkbox"/> Polished Finish.....	\$550
The Natural-Fit® (Original, Larger Profile) (Not available with 22"(501) Mag Rear Wheels.)	
ATRIM14 <input type="checkbox"/> Standard Grip (Not available with Short Tabs.).....	\$325
ATRIM15 <input type="checkbox"/> Super Grip (Not available with Short Tabs.).....	\$370
ATRIM16 <input type="checkbox"/> Without Thumb Grip.....	\$300
The Natural-Fit® LT (Reduced Weight, Smaller Profile) (Not available with 22"(501) Mag Rear Wheels.)	
ATRIM17 <input type="checkbox"/> Standard Grip (Not available with Short Tabs.).....	\$355
ATRIM18 <input type="checkbox"/> Super Grip (Not available with Short Tabs.).....	\$400
ATRIM19 <input type="checkbox"/> Without Thumb Grip.....	\$330
ATRIM10 <input type="checkbox"/> The Surge (All-In-One Oval with Gription™ Strip, Larger Profile) (Not available with 22"(501) Mag Rear Wheels.).....	\$325
ATRIM11 <input type="checkbox"/> The Surge LT (All-In-One Oval with Gription™ Strip, Smaller Profile) (Not available with 22"(501) Mag Rear Wheels.).....	\$355
ATRIM20 <input type="checkbox"/> Q-Grip (Exclusive High-Friction, Anti-Slip Coating) (Not available with Mag Rear Wheels.).....	\$295

Additional Handrims

ATRIM9 <input type="checkbox"/> Spinergy FlexRim (Available only on 24"(540) and 25"(559) Spinergy LX Rear Wheels. Please allow an additional 2-3 weeks delivery.).....	\$525
ATRIM5 <input type="checkbox"/> Plastic Coated – Black.....	\$95
ATRIM6 <input type="checkbox"/> Projections - 8 Vertical Projections (Not available with 20"(451), 22"(501), 26"(590) or Mag Rear Wheels.).....	\$315
ATRIM0 <input type="checkbox"/> Omit Handrims.....	\$15

CUSTOM CONFIGURATION OPTIONS

Tab Length

- ATRIM7 Long Tabs..... **STD**
- ATRIM8 Short Tabs (Not available with Mag Rear Wheels or The Natural-Fit® Handrims with Thumb Grip.)..... **\$15**

WHEEL LOCKS

Wheel Locks by OUT-FRONT®

- ATWLK7 Compact Composite Push to Lock (Available with .75" to 1.5" Rear Wheel Spacing ① only.)..... **NCO**
- ATWLK8 Compact Composite Pull to Lock (Available with .75" to 1.5" Rear Wheel Spacing ① only.)..... **NCO**
- ATWLK10 Extension Handles for Compact Composite Push/Pull to Lock..... **\$75 E0961**
- ATWLK9 Composite Scissor Lock..... **\$125**

Additional Wheel Locks

- ATWLK3 Uni-Lock Set At: Push **OR** Pull..... **\$145**
- ATWLK4 Extension Handles for Uni-Lock..... **\$75 E0961**

BACK UPHOLSTERY

- ATBUP2 Velcro Adjustable (Not available with Fold-Down Push Handles.)..... **STD**
- Tension Adjustable by Straps (Required with Aluminum Fendered Side Guards and Fold-Down Push Handles.)
- ATBUP3 Padded Nylon..... **\$300 E2611**
- ATBUP5 AIR Breathable Upholstery (Not available with Ultrasuede or NiteLite Backrest Stripe.)..... **\$300 E2611**
- ATUPC3 Ultrasuede Backrest Stripe Black Sapphire Red Pepper Burnt Orange
- Sub-Lime Ultraviolet Espresso (Not available with AIR Breathable Back Upholstery.)..... **\$90**
- ATUPC3 TiLite NiteLite Reflective Backrest Stripe (Not available with AIR Breathable Back Upholstery.)..... **\$90****
- ATBUP4 Ride Designs® Corbac™ Adjustable Contour Back Support (Black only. Not available with Fold-Down Push Handles. See Chart below.)..... **\$455 E2611**
- ATBUP0 Omit Back Upholstery..... **NCO**

SEAT UPHOLSTERY

- ATSUP1 Tension Adjustable Bolt On (Not available with Tapered Seat ①. Black only.)..... **STD**
- ATSUP7 iSleeve™ Under Seat Smartphone Holder (Not available with 12" or 13" Rear Seat Width ② or Seat Depth ③.)..... **\$50**
- ATSUP2 Tension Adjustable by Straps (Standard with Front Seat Width Seat Taper ① of 1", 2" or 3". Black upholstery only.)..... **\$150**
- ATSUP3 G10 Solid Seat (Not available with 10" or 11" Rear Seat Width ②.)..... **\$245 E2618**
- ATSUP0 Omit Seat Upholstery..... **NCO**

SEAT CUSHIONS

- ATCSH1 Foam Cushion 2" 3" 4"..... **\$99**
- ATCSH2 StimuLITE® Sport (2" Black 12"x12" to 20"x 20". Please allow an additional 2-3 weeks delivery.)..... **\$525 E2603**
- ATCSH3 Corbee® (2" Black 6"x 6" to 16"x 16". Please allow an additional 2-3 weeks delivery.)..... **\$525 E2603**
- ATCSH4 ROHO® Low Profile® Quadro® Select (Black only. Please allow an additional 2-3 weeks delivery.)..... **\$525 E2624**
- ATCSH5 ROHO® Custom (Black Only. Please allow an additional 2-3 weeks delivery.)..... **\$625 E2604**
- ATCSH6 VARILITE® Evolution™ (Black only. See Chart below.)..... **\$525 E2622**
- ATCSH7 VARILITE® Zoid™ (Black only. See Chart below.)..... **\$525 E2622**

VARILITE® SEAT CUSHION AVAILABILITY CHART

Seat Width ②	VARILITE® Evolution™ VARILITE® Zoid™	
	Seat Depth ③	
12"	14"	8", 12", 14"
13"	NONE	NONE
14"	14", 16", 18", 20"	14", 16", 18"
15"	15", 17"	15", 17"
16"	14", 16", 18", 20"	16", 18", 20"
17"	17"	17"
18"	16", 18", 20"	16", 18", 20"
19"	NONE	NONE
20"	16", 18", 20"	16", 18", 20"

CORBAC™ SEAT WIDTH/BACK HEIGHT AVAILABILITY Chart

Rear Seat Width ②	Seat Back Height ③
14"	13" - 15"
15"	13" - 16"
16"	14" - 16"
17"	14" - 16"
18"	14" - 16"

SIDE GUARDS

- ATSDG1 Cloth (Not available with Ride Designs Corbac Back Support.)..... **\$85**
- Aluminum**
- ATSDG2 Rigid Removable Small **OR** Std..... **\$175**
- ATSDG3 Quad Removable w/Hole Small **OR** Std..... **\$185**
- ATSDG4 Fold Down Rigid Small **OR** Std..... **\$295**
- ATSDG6 Fendered Adjustable (Available with 24" and 25" Rear Wheels. Requires Rear Seat Height ④ of 15" to 18.5")..... **\$295**
- Carbon Fiber**
- ATSDG7 Rigid Removable Small **OR** Std..... **\$270**
- ATSDG8 Quad Removable w/Hole Small **OR** Std..... **\$280**
- ATSDG9 Fold Down Rigid Small **OR** Std..... **\$400**
- ATSDG12 Fendered Removable..... **\$395**
- Available on Aluminum and Carbon Fiber Non-Fendered Side Guards**
- ATSDG13 Side Guards Custom Cut to Profile of Rear Wheels (Not available with Cloth.)..... **\$275**

ARMRESTS (Desk Arms come with built-in Side Guards.)

- ATARM1 Swing Away Tubular 9" to 12" **OR** 11" to 14" (Not Available with Height Adjustable Push Handles.)..... **\$195 E0973**
- ATARM4 Swing Away - Flip Back Tubular 6" to 9" **OR** 9" to 12"..... **\$275 E0973**

CUSTOM CONFIGURATION OPTIONS

ATARM2 Removable Height Adjustable Desk Arm with Rigid Side Guard (Requires 14" minimum Seat Depth Ⓞ).....	\$295	E0973
<input type="checkbox"/> 9" to 12" OR <input type="checkbox"/> 12" to 15"		
<input type="checkbox"/> Standard Length Pad (10") OR <input type="checkbox"/> Full Length Pad (14")		
ATARM3 Removable Height Adjustable Desk Arm with Rigid Side Guard and Transfer Loop (Requires 15" minimum Seat Depth Ⓞ).....	\$325	E0973
<input type="checkbox"/> 9" to 12" OR <input type="checkbox"/> 12" to 15"		
<input type="checkbox"/> Standard Length Pad (10") OR <input type="checkbox"/> Full Length Pad (14")		
Available on all Armrests		
ATARM5 <input type="checkbox"/> Covered in Black Ultrasuede.....	\$95	

SEAT BELTS

ATBLT1 <input type="checkbox"/> Velcro Adjustable, Black Nylon Webbing.....	\$45	E0978
ATBLT2 <input type="checkbox"/> Bodypoint® 2" Push-Button Buckle (Auto-Style.).....	\$85	E0978
ATBLT4 <input type="checkbox"/> Bodypoint® 1" Wide Push-Button Buckle Padded (Auto-Style.) (Not available with 19" or 20" Rear Seat Widths ⓐ).....	\$165	E0978
ATBLT5 <input type="checkbox"/> Bodypoint® 1.5" Wide Push-Button Buckle Padded (Auto-Style.) (Not available with 19" or 20" Rear Seat Widths ⓐ).....	\$155	E0978
ATBLT6 <input type="checkbox"/> Bodypoint® 1.5" Wide Rehab Latch Buckle Padded (Airline-Style.) (Not available with 19" or 20" Rear Seat Widths ⓐ).....	\$160	E0978
ATBLT7 <input type="checkbox"/> Bodypoint® 1.5" Wide Plastic Side Release Padded (Not available with 19" or 20" Rear Seat Widths ⓐ).....	\$120	E0978
ATBLT9 <input type="checkbox"/> Bodypoint® Evoflex Pelvic Stabilizer.....	\$210	E0978
ATBLT10 <input type="checkbox"/> Bodypoint® Optional Band Clamp Mounting Hardware	\$20	E0978

CALF STRAP

ATCLF2 Velcro Adjustable	\$35	K0038
<input type="checkbox"/> Xtra Small (Recommended for 6" - 9" Footrest Widths.)		
<input type="checkbox"/> Small (Recommended for 9" - 12" Footrest Widths.)		
<input type="checkbox"/> Medium (Recommended for 11" - 15" Footrest Widths.)		
<input type="checkbox"/> Large (Recommended for 14" - 17" Footrest Widths.)		
<input type="checkbox"/> Xtra Large (Recommended for 16"- 19" Footrest Widths.)		
ATCLF3 Bodypoint® Padded Velcro Adjustable	\$90	K0038
<input type="checkbox"/> Medium (Recommended for 11"- 15" Footrest Widths.)		
<input type="checkbox"/> Large (Recommended for 16"- 19" Footrest Widths.)		
ATCLF1 <input type="checkbox"/> Buckle Adjustable, Black Nylon Webbing.....	\$25	K0038

BACK PACK

ATBCK1 <input type="checkbox"/> Small - Black Nylon	\$50
ATBCK2 <input type="checkbox"/> Large - Black Nylon.....	\$65

SEAT POUCH

ATPCH1 <input type="checkbox"/> Small - Black Nylon.....	\$40
ATPCH2 <input type="checkbox"/> Large - Black Nylon.....	\$45

SPOKE GUARDS by SPOZEE.COM

ATGRD1 <input type="checkbox"/> Clear with TiMotion Logo (Not available with Mag Rear Wheels.).....	\$115	K0065
ATGRD2 <input type="checkbox"/> Scooter Frog (Requires Shadow Rear Wheels.).....	\$275	K0065
ATGRD3 <input type="checkbox"/> Color Spectrum (ROYGBIV) on Black (Requires Shadow Rear Wheels.).....	\$275	K0065
ATGRD4 <input type="checkbox"/> Purple Party (Requires Shadow Rear Wheels.).....	\$275	K0065

ANTI-TIPS

ATTIP1 <input type="checkbox"/> Rear Aluminum - Black.....	\$140	E0971
ATTIP2 <input type="checkbox"/> User Friendly Flip-up.....	\$245	E0971

ACCESSORIES

ATUEST1 Upper Extremity Support Tray <input type="checkbox"/> 12" to 14" OR <input type="checkbox"/> 13" to 15" Seat Widths ⓐ (Requires Armrests.).....	\$250	E0950
ATGS1 <input type="checkbox"/> GRIP Solutions Lap Tray.....	\$85	
ATLUG1 <input type="checkbox"/> Luggage Carriers.....	\$125	
ATMPCT2 Neoprene Impact Guards with Ultrasuede Stripe <input type="checkbox"/> Black <input type="checkbox"/> Sapphire <input type="checkbox"/> Red Pepper <input type="checkbox"/> Burnt Orange		
<input type="checkbox"/> Sub-Lime <input type="checkbox"/> Ultraviolet <input type="checkbox"/> Espresso.....	\$90	
ATMPCT2 <input type="checkbox"/> TiLite NiteLite Neoprene Impact Guards with Reflective Stripe.....	\$90	
ATCAT1 <input type="checkbox"/> Catch-All.....	\$75	
ATCH1 <input type="checkbox"/> Crutch Holder.....	\$195	E2207
ATTIP5 <input type="checkbox"/> Front Roller (Requires that Seat to Footrest Measurement Ⓞ be at least 3" shorter than Front Seat Height Ⓞ. Not available w/ Titanium Flip-Back Footrest.).....	\$145	
ATHS1 <input type="checkbox"/> TiLite 9 Piece SAE Round Handle Folding Hex Key Set.....	\$25	
ATAFP1 4" Logo Patch <input type="checkbox"/> Army <input type="checkbox"/> Navy <input type="checkbox"/> Air Force <input type="checkbox"/> Marines	\$90	
ATAFP2 Name Tape Patch <input type="checkbox"/> Army <input type="checkbox"/> Navy <input type="checkbox"/> Air Force <input type="checkbox"/> Marines	\$90	
ATAFP3 <input type="checkbox"/> Combat Wounded Purple Heart Patch.....	\$90	

DESIGNS UNLIMITED

TiLite's Aero T offers millions of different frame combinations! But when that's not enough, check out the Designs Unlimited Studio at tilite.com. There you will find drawings and pricing for hundreds of creative solutions to customers' customization requests. We call these "D.U.'s." If you don't find the D.U. you're looking for, contact the TiLite Customer Service Team at 800.545.2266 or customerservice@tilite.com and we'll design a D.U. just for you. Designs Unlimited customization may add an additional 2 to 3 weeks to the ship time of your chair.

GENERAL

TiLite manufactures a wide variety of wheelchairs to meet the varied needs of wheelchair users. The final selection of a particular model, its options and accessories, and its measurements rests solely with the wheelchair user and advising healthcare professional. TiLite wheelchairs must be fitted by a qualified healthcare professional. HCPCS Codes are for reference purposes only. Actual coding and coverage varies by payer. Proper HCPCS coding is not a guarantee of payment. Please verify the appropriate payer's coverage policy.

Get the latest order forms at tilite.com. Prices, standard features, options and accessories are subject to change without notice. All rights reserved. Trademarks are identified by symbols™ and ®. TiLite, TiFit, the TiLite logo, Ti, the Ti logo, The Titanium Experts, and TiShaft are registered trademarks of TiSport, LLC and are licensed to TiLite, LLC. Adobe®, Acrobat®, Acrobat Professional® and Reader® are registered trademarks of Adobe Systems Inc. Bodypoint® is a registered trademark of Bodypoint Inc. Kenda® is a registered trademark of Kenda Rubber Industrial Co. Ltd. Ride Designs® and Corbac® are registered trademarks of Aspen Seating, LLC. ROHO®, Low Profile® and Quadro Select® are registered trademarks of ROHO Inc. Schwalbe® is a registered trademark of Ralf Bohle GmbH. Supracor®, Stimulite® and Corbee® are registered trademarks of Supracor, Inc. The Natural-Fit® and Out-Front® are registered trademarks of Three Rivers Holdings, LLC. Varilite® is a registered trademark of Cascade Designs, Inc.

QUOTE THIS CHAIR

If you are using Adobe Acrobat, this order form may be converted into a quote request or into an order by clicking one of the buttons (this feature is available exclusively to TiLite dealers and distributors). A TiLite Quote or a TiLite Order Confirmation will be sent to you within 24 hours.

ORDER THIS CHAIR