

Top End® Eliminator™ OSR Racing Chair

Price List and Order Form

Effective January 1, 2006 Revised July 1, 2014

For accuracy of ordering, please fax order to Top End at 727-522-1007 or e-mail to topendorders@invacare.com

For questions call 800-532-8677 or 727-522-8677.

To order Literature: 800-828-6282

www.topendwheelchair.com



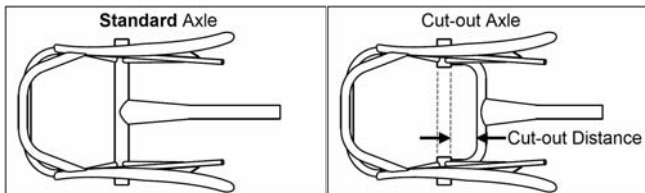
Provider Name _____ Date _____ Top End Job Number _____
 Account # _____ P.O. # _____ Phone # _____ Fax # _____
 Address _____ City _____ State _____ Zip Code _____
Provider Primary Contact: _____ **Email:** _____ **Phone No** _____
 Athlete Name _____ Email _____ Phone No _____
 Address _____ City _____ State _____ Zip Code _____
Ship order to: Provider Customer **Order will ship to Provider unless otherwise noted.**

ELIMINATOR OSR FRAME TYPE:

- ELMOSR** 'V' or 'Open V' Cage Racing Chair
Complete page SV1 \$3,145.00
- ELMOSRU** 'U' Cage Kneel Only Racing Chair
Complete page KU1..... \$3,245.00
Includes Aluminum knee plate (required for U cage)
- ELMOSR** 'I' Cage Racing Chair
Complete page SI1..... \$3,145.00
- RACE 101 CAD Drawings** 125.00
- E-mail address required _____

FRAME OPTIONS:

- ELM29** Aluminum solid seat.....75.00
- ELM40** Cut-out Axle: Distance 2" 3" 4" 250.00 ¹

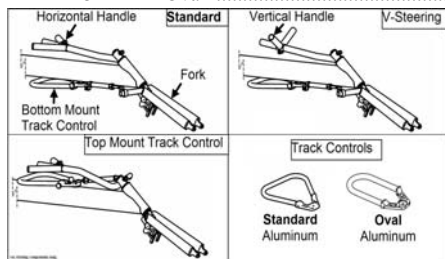


UPHOLSTERY:

- Upholstery Type: Kneel (V or Open V) Standard**
- Amputee: length _____ No Charge²
 - U Cage Factory pre set
 - I Cage..... Factory pre set

STEERING AND TRACK CONTROL:

- Steering Handles: Horizontal..... Standard**
- Vertical..... No Charge
- Track Control: Aluminum Triangle..... Standard**
- ELM43** Oval \$50.00



FOOTNOTES

¹ Cut-out axle creates more room for legs and lower rear seat heights.
² Kneel upholstery can be used in either the traditional feet forward position with plastic footplate/strap or in kneeling position. Amputee upholstery primarily designed for above knee double amputees. Indicate length of upholstery.

FRONT WHEEL:

- Front wheel size: 20" Standard**
- ELM23** 20" Carbon fiber front wheel upgrade..... 600.00

REAR WHEELS / PUSHRIMS: (see measurement page)

- 700C 28 Spoke Rear wheels with Clincher tires: Standard**
- 26" 28 Spoke Rear wheels with Clincher tires: No Charge
- Rubber-coated aluminum pushrim 3/8" 14 pegs Standard**
- COMPOSITE WHEEL UPGRADE:**
 (Available with tubular tires only. Standard wheels are not included)
- ELM6** Corima® Carbon fiber 4 spoke (700C) 2,250.00
 - ELM25** Corima® Carbon fiber Disk (700C) 2,250.00
 - ELM27** Zipp carbon disk (700C) 2,250.00

SAFETY AND COMFORT OPTIONS

- Plastic footplate w/strap Standard**
- ELM4** Clamp-on Adjustable Fixed Style Footrest..... 200.00
 - ELM19** Seat Cushion 75.00
 - ELM10** Helmet: select size: 75.00
 - Small/ Medium Medium/Large
 - XLT16** Safety Flag 30.00
 - XLT6** Front Safety Light..... 25.00
 - XLT7** Rear Flashing Light 25.00
 - ELM11** Cordless computer 125.00
 - XLT141** Heart Rate Monitor 100.00
 - XLT20*** Bike Rack for Trailer Hitch 450.00
 - 1 1/4" (Std.) 2"
 - TER124** Click strap small (pad length ~8") 75.00
 - ELM12** Additional 2" strap 20.00
(length _____)
 - XLT33** Alignment Gauge..... 75.00
 - RACE 4*** Wheelbag 180.00
 - RACE 22** Top End T-Shirt L XL 10.00
 - ELM42*** Top End Indoor Training roller 800.00

Freight XLT20, 42, and/or Race 4 \$ _____
 * Indicates an item where the standard discount does not apply or there are additional shipping charges or both. Please request a quote.

FRAME AND UPHOLSTERY COLOR

- FORK COLOR: Black.....Standard**
- UPHOLSTERY: Black.....Standard**
- UPH2** Digital Desert Camouflage.....\$100.00
 - UPH1** Woodland Camouflage..... \$100.00

CONTEMPORARY COLORS:

- Stealth Black Wet Black White Snow Silver Metallic

WAY COOL COLORS

- Royal Blue Midnight Blue Grasshopper Green

TOO HOT COLORS

- Tangerine Red Raspberry Red Grape Madness
- Safety Yellow Orange Bubblegum Pink
- P1 Two color option**..... \$100
 Fork color _____ Frame color _____

Special Instructions: _____

Top End® Eliminator OSR Racing Chair: Standard Seat Design

Measuring Guidelines

Rear Seat Height – Measured from floor. Low level SCI athletes tend to sit higher, whereas quads and high level SCI athletes sit lower. Trunk length should also be considered: a long trunk may sit lower and short trunked people higher. The standard rear seat height is 17".

Overall Length – Measured from end to end (rear to front wheel) – between 64" and 76". The average male adult measures between 72" – 76". This measurement for everyone is dependent on the ability to reach the steering system and brake comfortably with tucked into the racing position. A longer chair is smoother gliding and runs straighter, but if it's too long, the ability to "hop" the chair by body force will diminish.

Rear Wheel Size – 700C – standard for almost all adult men and women. The larger wheel equals more top end speed and is a must for the serious racer. The Top End Eliminator wheel covering fender helps shorter armed people use a 700C wheel as the wheel is covered and protects against chaffing. 26" is an option for children or adults with very short arms.

Tires-
700C Standard Wheels: Black Primo Clincher Tires
700C Carbon Fiber Wheels: Panaracer Rapid Tubular Tires
26" Standard Wheels: Panaracer Stradius Clincher Tires

Front Wheel – 20" is standard.

Rear Axle – Standard on Top End racers is 1/2" as this makes a stiffer wheel.

Aero Bars – Are standard on the OSR. Steering mounted on the top of the frame for easier reach and improved aerodynamics with removable bar ends.

Rubber Coated Pushrims – Average is 14 1/2" for men, 14" for women. This depends on arm length and power. Range is 13" – 16". Most good racers have tried many sizes over time.

Footrest – An ABS Plastic footrest with strap is standard. It is typically attached on the long main frame and the athlete's feet are secured using the 3 positioning straps which are included (25", 30", 35"). An optional clamp-on fixed style footrest is available and it is adjustable both in height and length. The fixed style footrest clamps to the main frame and provides a rigid surface for the feet which is sometimes easier to use for higher level injuries.

Standard Accessories – Caliper hand brake is mounted on the left steering handle. The tool kit includes a pouch that attaches to the back of the upholstery. 5 Allen tools for assembly/adjusting of rear wheels, pushrims, headset, front wheel and side guards are included.

Cage Styles –

V or Open Cage styles are recommended for customers who want to sit in traditional feet forward position and/or eventually want to kneel. This style can accommodate either position. Recommended for athletes with limited balance or for T-10 SCI level and above. These athletes need more of a bucket or squeeze and this frame offers this. Both of these styles are difficult to transfer in and out of but offer a stiff cage.

I Cage is the easiest transfer style to use but cannot be converted to a kneeling position. This style is typically used by higher level injury athletes who sit in the traditional feet forward position with an adjustable fixed style footrest.

U Cage is for customers who use the kneeling position or need an amputee seat. Customers tend to have good balance and are T-10 injury level or below. U cage requires an aluminum knee plate for extra rigidity.

Cage styles can be seen on pages SV1, S11 or KU1.

Upper Inside Frame Width – This measurement on the chair is the point directly above the axle on the inside of the frame. This usually rides below the lats on the chair user. With the new integral fender, frame gradually gets wider as the fender follows the wheel. This allows room for the stroke follow through. Measure 2" above waist, then measure straight across chest. Typically upper frame is a maximum 1" – 2" narrower than lower seat width.

Lower Inside Seat Width – Inside panel measurement at rear seat rail. The side panels are riveted on the side of frame as standard. Snug is preferred. Use two flat objects (such as books) to press flesh in at the hips and measure straight across.

Axle Position – Typically between 5" – 8". The lower the level of SCI, the more forward the axle position. Minimum for kneeling position is 6". Most of the top racers have between 6 1/2" – 8". Taller people may need the axle more forward (8") and amputees back a bit (5" – 6"). A straight camber tube (new in 1995) increases the stiffness of the chair and includes rear wheel alignment adjustability. The angled camber tube continues to be an option for those needing more room for their feet.

Camber – Most users prefer 11°. Athletes who sit high and/or race on the track sometimes prefer more.

Seat Height - Measured from floor to the top of the seat rail. Standard is 17" rear and 18" front. The 1" difference gives a slight bucket for stability. Trunk length should also be considered: a long trunk may sit lower and short trunked people, higher. The kneeling position requires a minimum of 17" rear and 18" front to allow room for legs and feet.

Invacare Corporation www.invacare.com

TOP END

Sports and Recreation
Products
4501 63rd Circle North
Pinellas Park, FL USA
33781-5914

All rights reserved. Trademarks are identified by the symbols TM and ®. All trademarks are owned by or licensed to Invacare Corporation unless otherwise noted. Corima is a registered trademark of Corima SA. Zipp is a registered trademark of Compositelch Inc. Specifications and prices are subject to change without notification.
©2014 Invacare Corporation



ELIMINATOR STANDARD OSR 'V' OR 'OPEN 'V' CAGE (SV1)

CAGE TYPE

- V Cage
- Open V Cage

1. Rear Upper Frame Width _____

2. Lower Frame Width _____

3. V Depth

- 24"
- 25"
- 26"

4. Cage Depth (15" Std.) _____

5. Axle Position _____

6. Rear Seat Height _____

7. Front Seat Height _____

8. Camber

- 11°
- 12°
- 13°
- 15°

9. Overall Length

- 64"
- 66"
- 68"
- 70"
- 72"
- 74"
- 76"

10. Rear Wheel Size

- 700C
- 26"

11. Track Control

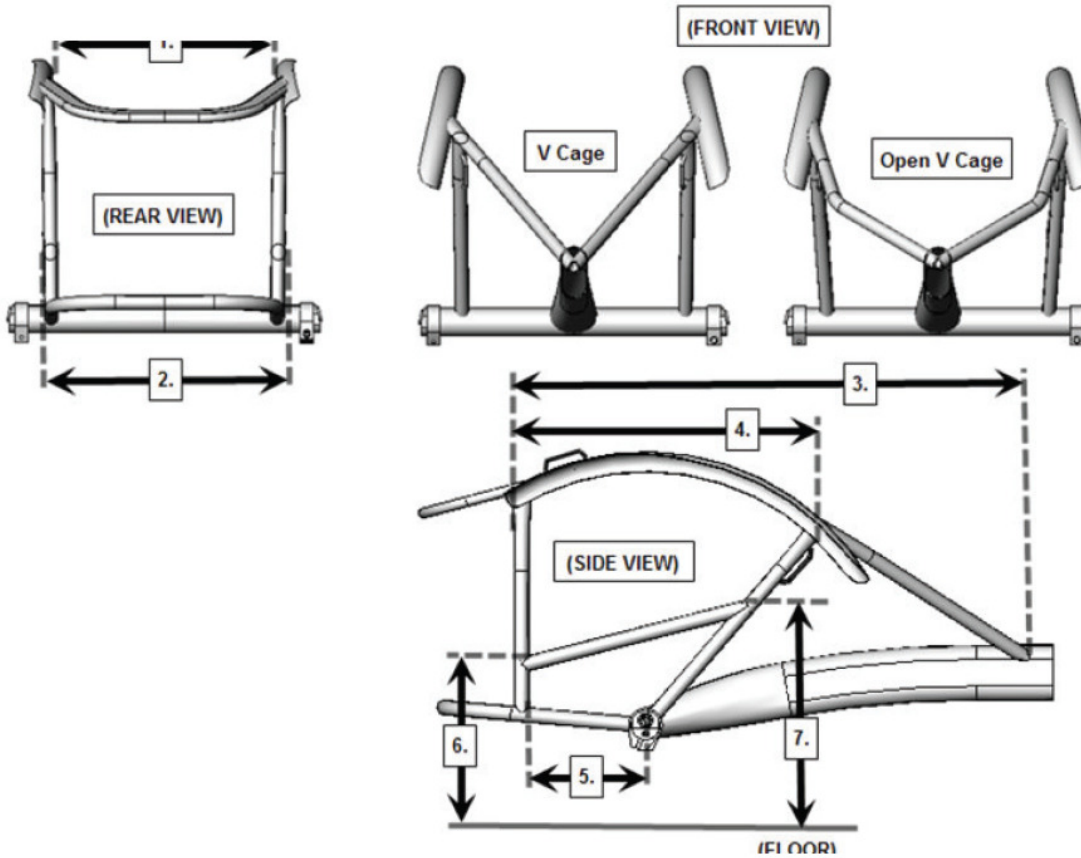
- Bottom Mount (standard)
- Top Mount (Not available on Overall Lengths less than 70")

12. Rear Wheel Type

- Zipp
- Corima
- Tri-Spoke
- Standard

Pushrim diameter :

- 12" 13" 14" 15" 16".



ELIMINATOR OSR KNEELING POSITION V CAGE (KV1)

CAGE TYPE

- V Cage
- Open V Cage

1. Upper Frame Width _____

2. Lower Frame Width _____

3. Knee Width _____

4. Front Seat Angle

- 10°
- 15°
- 20°

5. Kneel Depth (18" Std.) _____

6. Axle Position _____

7. Rear Seat Height _____

8. Camber

- 11°
- 12°
- 13°
- 15°

9. Overall Length

- 64"
- 66"
- 68"
- 70"
- 72"
- 74"
- 76"

10. Rear Wheel Size

- 700C
- 26"

11. Track Control

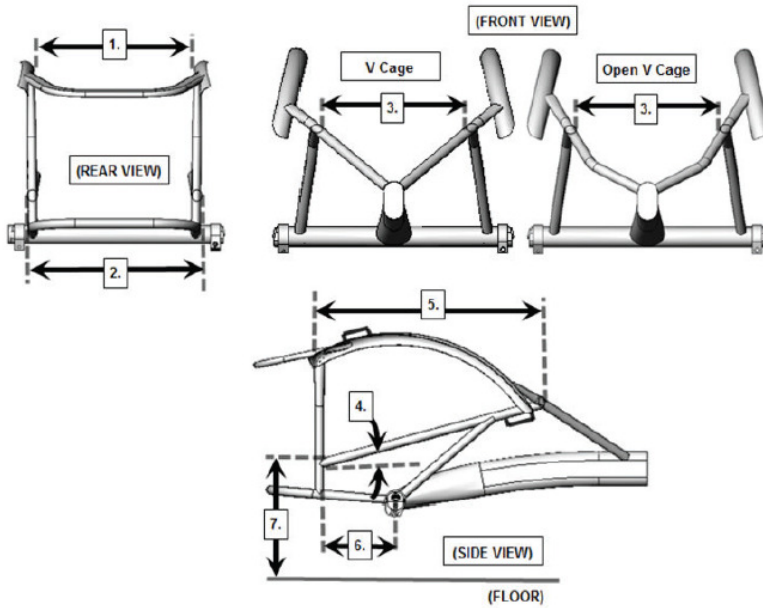
- Bottom Mount (standard)
- Top Mount (Not available on Overall Lengths less than 70")

12. Rear Wheel Type

- Zipp
- Corima
- Tri-Spoke
- Standard

Pushrim diameter :

12" 13" 14" 15" 16".



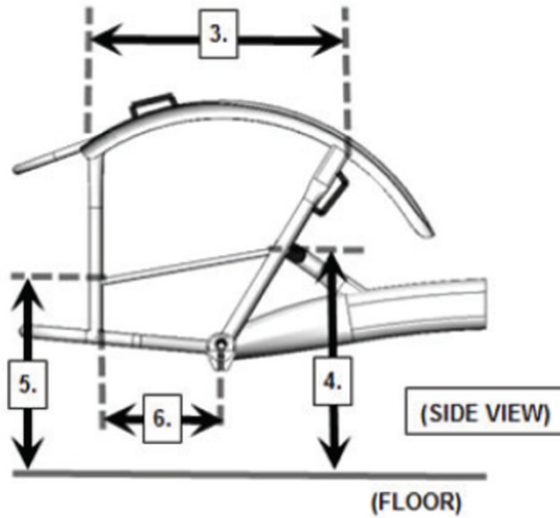
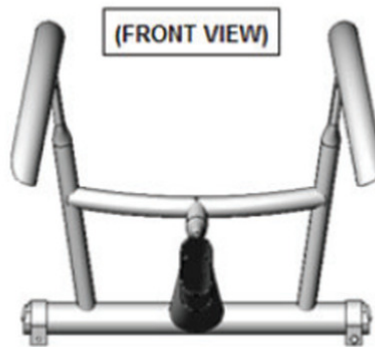
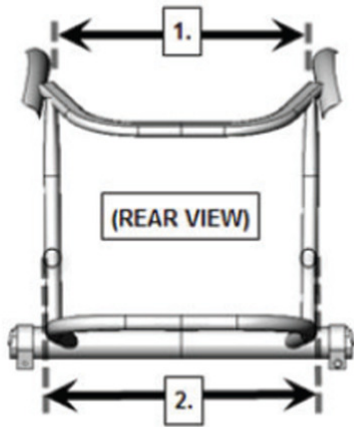
Comments

ELIMINATOR OSR I CAGE (SI1)

1. Upper Frame Width _____
2. Lower Frame Width _____
3. Depth (15" Std.) _____
4. Front Seat Height _____
5. Rear Seat Height _____
6. Axle Position _____
7. Camber
 - 11°
 - 12°
 - 13°
 - 15°

8. Overall Length
 - 64"
 - 66"
 - 68"
 - 70"
 - 72"
 - 74"
 - 76"
9. Rear Wheel Size
 - 700C
 - 26"
10. Track Control
 - Bottom Mount (standard)
 - Top Mount (Not available on Overall Lengths less than 70")
11. Rear Wheel Type
 - Zipp
 - Corima
 - Tri-Spoke
 - Standard

Pushrim diameter :
 12" 13" 14" 15" 16".



Comments