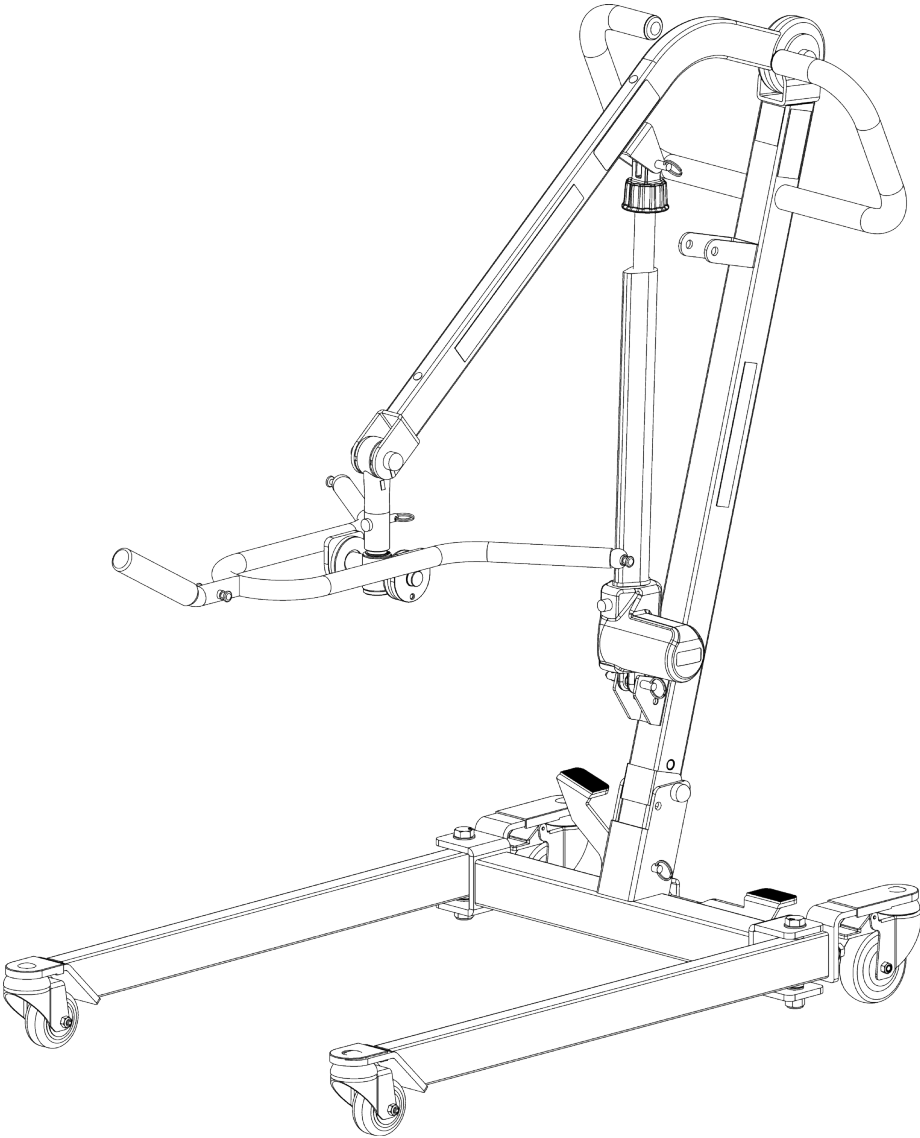
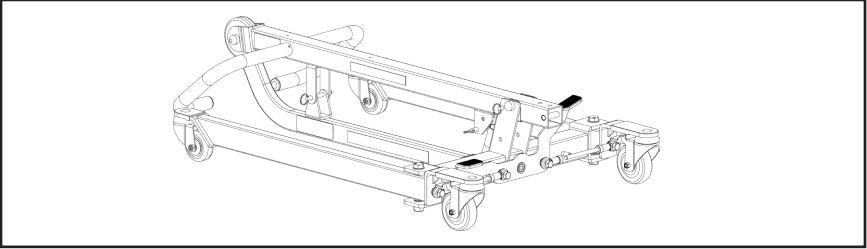


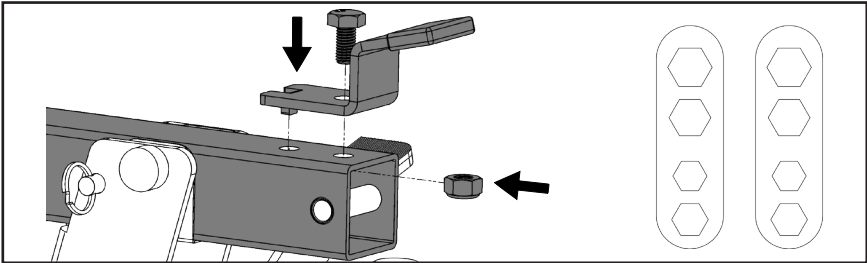
Configure Your PL350CT for First Use



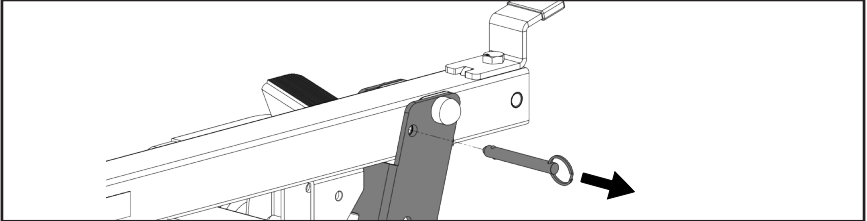
Step 1: Remove folded lift from box.



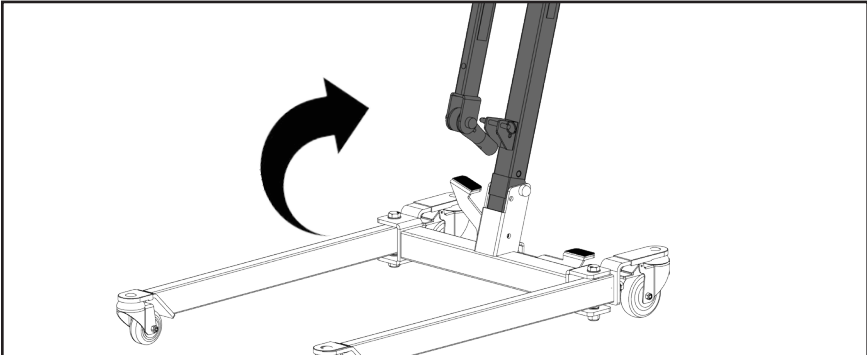
Step 2: Secure the stand to the mast. Hold the nut on its side with two fingers. Align the nut and the hole on the stand bracket with the lower hole on the mast. Make sure the tab on the stand bracket sit in the top hole on the mast, and insert the screw to the nut as follows. Use the EZ-Tools to tighten the screws.



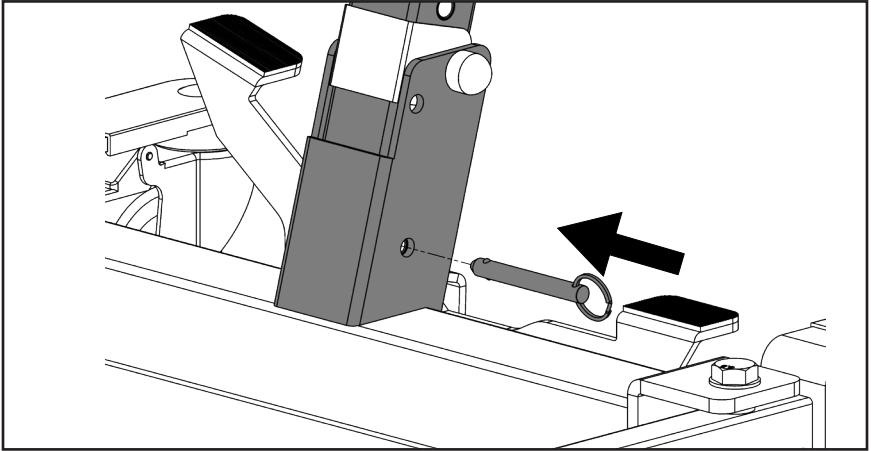
Step 3: Remove the quick release pin that is securing the mast.



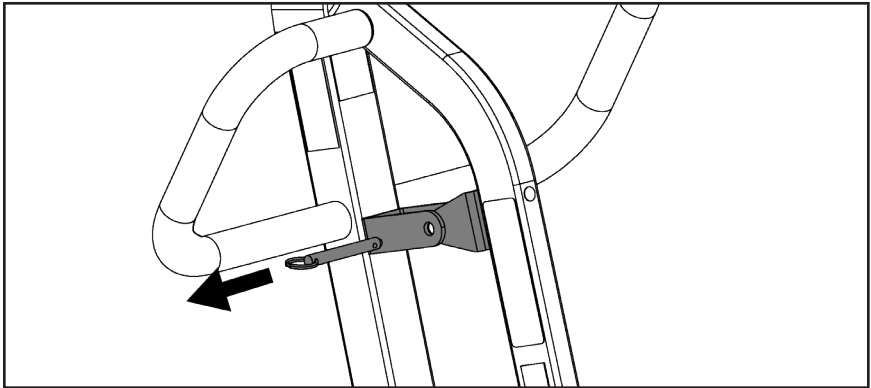
Step 4: Lift the mast upright.



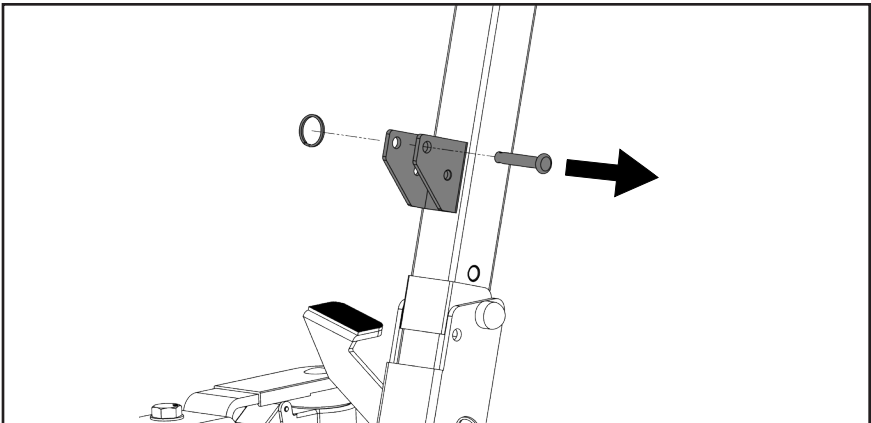
Step 5: Insert the pin to secure the mast.



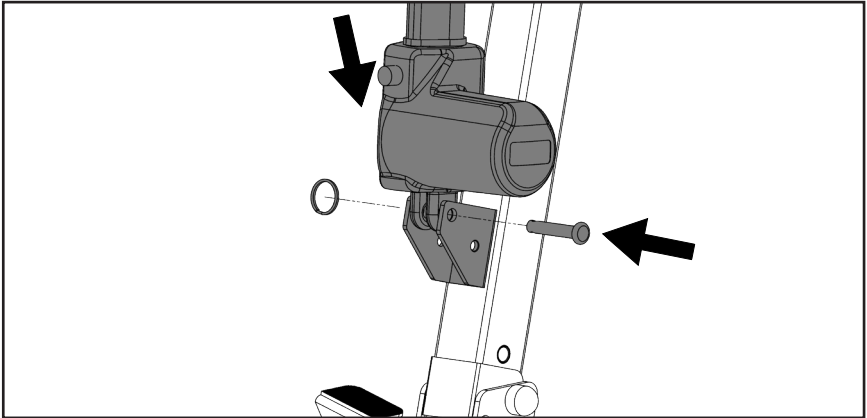
Step 6: Remove the pin that is securing the boom.



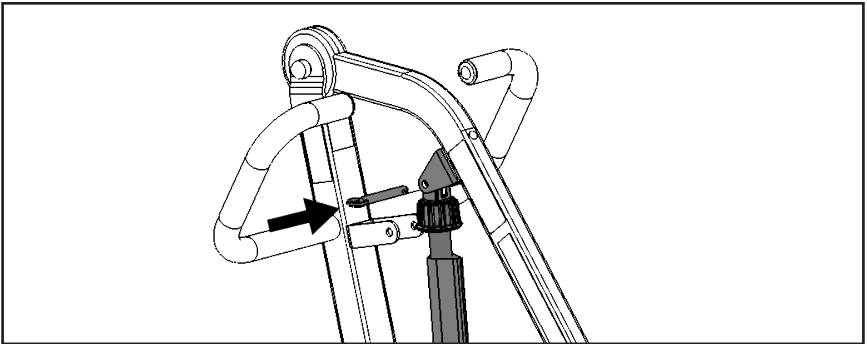
Step 7: Remove lower actuator pin on the mast.



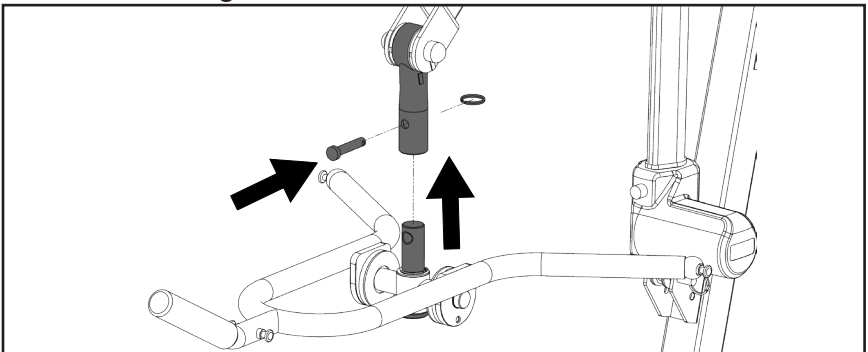
Step 8: Move the boom out of the way, and install the lower end of the actuator to the mast using a pin and retaining ring as follows.



Step 9: Install the upper end of actuator to the boom by reinsert the quick release pin to secure it.



Step 10: Insert the spreader bar into the tube on the boom as follows. Align the holes and secure the spreader bar using a pin and retainer ring.



Step 10: Refer to “Quick Setup Guide to TiMotion Electronics” to install the controller.